



INSTRUCTION MANUAL  
MANUAL DE INSTRUCCIONES  
NÁVOD NA POUŽITÍ  
BEDIENUNGSANLEITUNG  
MODE D'EMPLOI

---

**CZ SCORPION EVO 3 S1**

**Before handling the firearm read this manual carefully and observe the following safety instructions.**

Improper and careless handling of the firearm could result in accidental discharge and cause injury, death or damage to property. The same repercussions can be caused by unauthorized modifications or adjustments, corrosion, or use of non-standard or damaged ammunition. In these cases the manufacturer shall not be held responsible in any manner whatsoever for the resulting consequences.

Before leaving the factory the firearm was tested, inspected and packaged in accordance with company policy. Ceska zbrojovka a.s. cannot accept responsibility for product handling whilst in transit after dispatch from the factory. Therefore, examine the firearm carefully upon receipt to ensure that it is unloaded and undamaged.

This instruction manual should always accompany the firearm in the event of loan or further sale.

**CONTENTS**

SAFETY INSTRUCTIONS	2	Adjusting the gun to individual requirements	8
FIREARM DESCRIPTION AND TERMINOLOGY	4	Removing the shoulder stock	8
OPERATING INSTRUCTIONS	5	<b>MAINTENANCE INSTRUCTIONS</b>	9
Ammunition	5	Stripping for Cleaning	9
Unfolding the shoulder stock	5	Cleaning the Firearm	10
Folding the shoulder stock	5	Cleaning the Barrel and the Chamber	10
Removing the magazine	5	Cleaning of Other Parts	10
Loading the magazine	6	Cleaning of Plastic Magazines	11
Loading the gun	6	Preservation of Firearm	11
Setting the fire mode	6	Waste Management	11
Locking the gun	6	<b>LIST OF PARTS</b>	12
Reloading while firing	7	<b>TROUBLESHOOTING</b>	13
Unloading the gun	7	<b>LIST OF ILLUSTRATIONS</b>	14
Adjusting the sights	7		

**SAFETY INSTRUCTIONS**

Always follow the safety instructions for your safety and the safety of others.

1. Always handle the firearm as if it were loaded.
2. Never point the firearm at anything you do not intend to shoot at. Also never point a firearm at anybody even in fun.
3. Never take anyone's word that the firearm is unloaded.
4. Always make sure that the firearm is not loaded before laying it down or handing it over to another person.
5. Always store the firearm unloaded with the striking mechanism released.
6. Never abuse the firearm by using it for any purposes other than shooting.
7. Never leave a firearm unattended.
8. Prior to loading the firearm ensure the barrel, chamber and action are clean and clear of obstructions. If the firearm becomes excessively dirty during firing clean it immediately. Always clean the firearm after use.
9. Do not shoot the firearm, unless you are certain about the ammunition you are using. Do not use unmarked or hand-loaded ammunition from an unknown source, ammunition with a cracked, deformed or dented case or with a damaged bullet. Reloading is an expert activity and incorrectly reloaded ammunition may be extremely dangerous. It may result in heavy damage or destruction of the firearm and serious injury or death of the shooter or other persons. Always use clean and dry original high quality commercially manufactured ammunition, which corresponds to the caliber of the firearm.
10. Never drink alcohol or take drugs before and during shooting.
11. Whenever practical always wear safety glasses and ear protection while shooting.
12. When the firearm is loaded always keep the safety applied until you are ready to fire. Keep the firearm pointed in a safe direction when disengaging the safety.
13. Always keep the ejection port clear of obstructions and people.

14. Never pull the trigger or put your finger within the trigger guard unless you are aiming at a target and ready to fire.
15. Always make absolutely sure of your target and the area behind it before pulling the trigger. The bullet can pass through or past the target up to several hundred meters.
16. Never shoot at a hard surface such as rock, or a liquid surface such as water.
17. Never fire near an animal unless it is trained to withstand the noise.
18. Never indulge in "horseplay" while holding the firearm.
19. Failure to fire: In case it fails to fire, hold the firearm keeping it pointed in a safe direction and wait 30 seconds. If a hangfire (slow ignition) has occurred, the cartridge will fire within 30 seconds. If the cartridge does not fire, eject the cartridge and examine it. If the striker indent on the cartridge is light, or non-existent, have the firearm examined by a competent gunsmith.
20. Always make sure your firearm is not loaded before cleaning, storing or travelling. Remove any unused ammunition from the firearm and store it in compliance with the law.
21. Always keep and store your firearm and ammunition in separate secure locations out of reach and sight of children and unauthorized persons. Always protect the ammunition from sources of heat and open fire.
22. Never alter any parts of your firearm; the safety and proper function of your firearm could be seriously affected.
23. Always be aware that corrosion, use of damaged ammunition, dropping the firearm on hard surfaces or other "rough treatment" can cause damage that is not necessarily obvious at first sight. If something like this happens, have the firearm examined and tested by a competent gunsmith.

## FIREARM DESCRIPTION AND TERMINOLOGY

The designation of the main parts used in this Instruction Manual is presented in Fig. 1 on the inner page of the cover. Nomenclatures of all CZ SCORPION EVO 3 S1 parts are presented in the section *List of Parts*.

The CZ SCORPION EVO 3 S1 is a multi-purpose, lightweight personal handgun which enables to fire single shots. The standard version is equipped with a folding shoulder stock, which enables the shooter to support the gun against his shoulder. If the stock is folded, it is possible to shoot with loose hand. When the gun is supported against the shooter's shoulder, the effective range is up to 250 meters while with the folded stock it is up to 50 meters. Thanks to its lightweight and small size, the gun is suitable for concealed carry and for use in narrow spaces.

The gun is supplied with polymer double-column magazines, which feature a double-column mouth and a capacity of 20 cartridges. When the last cartridge has been fired from the magazine the slide remains locked open. It is not necessary to use any tools in order to disassemble the gun for cleaning and preservation. On customer request, the gun can be supplied with various accessories, such as a silencer, several types of torches with attachment clamps, laser pointers, tactical grips as well as collimators or for example a front guard which protects the shooter's hand against burning. The characteristic features of the gun include:

- the firearm is well-balanced, therefore it is quick and easy to aim
- the accessories can be easily attached on the MIL-STD-1913 military rails
- the ambidextrous safety/mode levers are easily manageable and well accessible
- the disassembly for cleaning and routine maintenance is very simple and can be achieved without any tools
- a high degree of accuracy when firing
- a long service life
- high reliability guaranteed for use in all conditions as well as with ammunition of different manufacturers
- possibility to adjust the gun according to individual requirements (the pistol grip can be adjusted, the cocking handle can be mounted on either side, the stock can be adjusted in length or removed)
- the barrel muzzle of the Carbine model is equipped with a thread that facilitates the attachment of various accessories (a compensator, as a flash hider, asound suppressor, etc.)

## OPERATING INSTRUCTIONS

### Ammunition

Always use ammunition in an allowable production design which is in compliance with standards applicable for ammunition manufacturers and is approved by the CIP (Permanent International Commission for Firearms Testing) or SAAMI (Sporting Arms and Ammunition Manufacturers' Institute Inc. of the United States). The use of other cartridges could damage the firearm or cause injury to the shooter. When using factory-made ammunition with standard speed, the use of firearms produced by Česká zbrojovka a.s. is safe. Check the ammunition you are going to use to make sure that it corresponds to the caliber of your firearm. Commercially produced ammunition is clearly marked with the caliber on the bottom or around the bottom of each cartridge case.

Note: If you are not using ogival cartridges, verify their functionality first.

### Unfolding the shoulder stock

Grasp the gun, push the shoulder stock slightly downwards and unfold from the folded position beside the gun in a rearward motion. When the shoulder stock is extended, its catch locates into a slot and it is then secured against unwanted folding. The stock can be adjusted in length by pulling the butt backwards. When ejecting the shoulder stock and then inserting it back into the stock tube, it is necessary to press the stock positioner (Fig. 2).

### Folding the shoulder stock

Grasp the gun tightly with one hand. Press the grooved part of the stock catch using the thumb of the other hand (Fig. 3) and fold the stock to the right side of the gun in the direction of fire until you reach a position when the stock is locked.

### Removing the magazine

Grasp the pistol grip of the gun with one hand and the magazine with the other hand. Press the magazine catch with your thumb (Fig. 4) and simultaneously remove the magazine by pulling it downwards. If you want to remove the magazine quickly press the magazine catch with the finger of your firing hand.

### **Loading the magazine**

Grasp the magazine with its housing in the upright position. Place a cartridge on the follower with its base towards the rear side of the magazine and push it downwards until it fits underneath the magazine mouth (Fig. 5). Put the next cartridge on top of the previous one and push it downwards in the same manner.

You can easily monitor the number of cartridges in the transparent magazine while loading it. Do not exceed the capacity of the magazine as it can lead to improper feeding of the first cartridge into the chamber.

### **Loading the gun**

**ALWAYS POINT IN A SAFE DIRECTION WHILE LOADING THE GUN!**

Insert a loaded magazine into the gun and ensure that the magazine is secured.

Set the fire mode lever onto the fire mode.

Grasp the gun by the grip with one hand and the cocking handle located on the left side (or right side, depending on setup) of the hand guard with the other hand. Cock the slide backwards to the rearmost position and release it (Fig. 6). The hammer is now cocked and a cartridge has been fed into the chamber. The gun is now ready to fire. If you are not going to fire immediately lock the gun as described in the paragraph, *Locking the gun*.

### **Setting the fire mode**

You can fire single shots by setting the fire mode lever into the position "I". When the trigger is pulled one cartridge is fired. When the trigger is released and pulled again another cartridge is fired.

### **Locking the gun**

Set the fire mode lever into the position "0". The trigger mechanism is now locked and it is not possible to pull the trigger (Fig. 7).

### Reloading while firing

After the last cartridge has been fired from the magazine the slide remains to the rear (locked open position). Remove the empty magazine and replace it with a loaded one. Pull the cocking handle backwards and release it or press the slide release (Fig. 8). The gun is loaded and ready to fire again.

### Unloading the gun

POINT IN A SAFE DIRECTION!

- Remove the magazine
- Set the fire mode lever onto the fire mode
- Pull the cocking handle into the rear position and make sure that the chamber is empty. By pushing the cocking handle upwards it is possible to fix the slide in the rear position while another person can check whether the chamber is empty.
- Release the slide
- Pull the trigger (dry fire)

### Adjusting the sights

The gun sights are calibrated by the manufacturer to a distance of 25 metres so that the mean point of impact corresponds to the point of aim. A correction of the sight adjustment can be carried out by adjusting the rear sight for windage and elevation.



### Adjusting the gun to individual requirements

The position of the pistol grip, which is determined by the distance between the shooter's palm and the trigger, can be easily adjusted to the individual needs of the shooter. The pistol grip can be moved forwards or backwards by loosening the grip screw. After the pistol grip is adjusted the screw must be secured.

The cocking handle can be positioned either on the left or right side of the weapon. It is important to note that the cocking handle comprises of two parts, the handle and the slide rod. In order to reposition the cocking handle you need to remove the hand guard pin and press the cocking handle spring, which secures the cocking handle in position.

### Removing the shoulder stock

If the need arises the shoulder stock can be removed. Before removing the shoulder stock, fold the stock partially and then rest the gun with its compensator on a solid surface. Use your finger to press the stock retaining button. Use the palm of the other hand to push on the lower surface of the shoulder stock joint and then slide it upwards from the rails (Fig. 9).

When attaching the shoulder stock again first press the stock retaining button and then insert the shoulder stock base from above onto the rails in the rear part of the receiver.

After the stock is inserted into the lowest position, there is an audible click caused by the retaining button locking into the opening and securing the stock in place.

Note:

Removal of the shoulder stock is set to be more difficult in order to take up the clearance in the joint to give the user better shooting comfort. Before reattachment of the shoulder stock, it is suitable to smear the receiver surfaces with a preserving agent to reduce the frictional force (e.g. by graphite grease). Always only use agents intended for plastics!

**MAINTENANCE INSTRUCTIONS****Stripping for Cleaning**

1. POINT IN A SAFE DIRECTION!
2. Remove the magazine.
3. Unfold the shoulder stock.
4. Set the fire mode lever onto the fire mode.
5. Move the slide to the rear position with the aid of the cocking handle and retain it by pushing the handle upwards (Fig. 10). The slide is now safely locked in the rear position.
6. Grasp the pistol grip of the gun tightly in one hand. Push onto the front part of the trigger unit with the thumb of the other hand and press the outer part of the disassembly pin (Fig. 11). Now extract the disassembly pin out of the other side to its outermost position. Then grasp the trigger unit case at the magazine housing and remove it by pulling it in a backward and downward motion.
7. Move the slide slightly backwards with the thumb and pull it downwards. Now it is possible to remove the slide together with the recoil spring.

No further disassembly is needed for routine maintenance. While stripping the gun make sure that no part or spring is ejected, lost or that it causes injuries.

**CAUTION:**

Do not strip your firearm any further. If you assume that your firearm requires adjustment or repair, entrust this work to a competent gunsmith in a specialized workshop!

**Cleaning the Firearm**

Clean the Firearm

- after every use
- if it gets wet
- immediately after shooting
- at least once a year in temperate climates
- as often as once a month in tropical or extreme climates

**Cleaning the Barrel and the Chamber**

If the firearm has not been fired or if only a few cartridges have been fired clean the barrel and chamber by a clean patch attached to the cleaning rod. Repeat the cleaning, changing patches, until the last patch comes out clean.

If the barrel is very dirty, apply a gun cleaning solution with the aid of a cleaning brush. Let the solvent act for about 10 minutes (this time may vary depending on the solvent agent being used). Then scrub out the barrel thoroughly. Subsequently, dry the barrel and chamber with a clean patch and check that all powder residue or fouling has been removed. If necessary repeat this procedure. The cleaning rod and the brush must be inserted into the barrel from the chamber to prevent wear or damage to the muzzle. Pull the brush all the way through the barrel before reversing the movement. If you tried to change the direction of pulling, the brush would get stuck in the barrel.

When cleaning the barrel nuts on the CZ SCORPION EVO3 S2 MICRO, use the scraper provided with the gun.

**Cleaning of Other Parts**

The other parts of the firearm can be cleaned with a dry cloth, old toothbrush, copper bristle brush or a wooden scraper. Preserving oil can be used for proper cleaning. Never use the agent designed for barrel cleaning! These solutions can remain in the joints causing corrosion after some time. Check that cloth particles or brush bristles have not lodged in any part of the firearm.

### **Cleaning of Plastic Magazines**

In the event that the magazine is more heavily soiled (e.g. when using the gun in extreme weather - e.g. dusty or muddy conditions) or, on the other hand, in the event of the need to simply take care of just the magazines (either following their prolonged use or their storage without having been cleaned) it is fully in compliance, after removing the magazines, to wash the plastic parts of the magazine assembly in detergent, and - after drying it slightly to then leave it in the open air to dry. Prior to the reassembly of the magazine it is not necessary to additionally preserve the parts in any manner. It is also unnecessary to preserve the magazines that have already been assembled.

### **Preservation of Firearm**

When the barrel, chamber, and all accessible parts are clean and dry, wipe these parts with a cloth soaked in gun oil or apply an oil in spray form. Furthermore, it is necessary to apply the oil on the lubricating points (see the picture on the inner page of the cover). Remove all excess oil.

Before shooting always pull through the barrel with a dry patch. At very low temperatures remove the oil from all accessible parts or apply a lubricant intended especially for such conditions.

Use thick preserving agents such as preserving grease only for a long-term storage in severe climatic environments and remove it thoroughly before use from all parts of the firearm.

### **Waste Management**

When used properly, the materials used in the product and its packaging have no adverse effects on human health or the environment. When disposing of the product or its packaging, all metal parts (steel and non-ferrous metals), plastics, wood, paper and cardboard should be stored separately in collecting containers intended specifically for that purpose.

## LIST OF PARTS

1 Compensator *	30 Slide	59 Disconnecter
2 Barrel nut	31 Striker block spring	60 Safety plug
3 Barrel *	32 Striker block	61 Safety pin plug
4 Compensator catch	33 Striker	62 Trigger pin
5 Ring	34 Guide stud	63 Trigger insert
6 Hand guard	35 Recoil spring	64 Hammer catch spring
7 Hand guard pin	36 Buffer	65 ---
8 Front swivel (2x)	37 Arandela del muelle recuperador	66 Front sight
9 Reciever	38 Magazine catch pin	67 Rear sight
10 Tirant and fingerboard	39 Magazine catch	68 Trigger spring
11 Short receiver screw (4x)	40 Magazine catch spring	69 Stock catch spring
12 Long receiver screw (2x)	41 Disassembly pin	70 Stock tube
13 Medium receiver screw	42 Trigger unit casing	71 Stock catch
14 Pistol grip screw	43 Slide Release Spring	72 Joint pin
15 Right fire mode lever	44 Slide Release	73 Stock positioner pin
16 Magazine base	45 Ejector pin	74 Shoulder stock pin
17 Magazine base catch	46 Ejector	75 Shoulder stock
18 Follower	47 Trigger case	76 Stock positioner
19 Magazine body	48 Case securing screw	77 Positioner spring
20 Magazine spring	49 Control screw (2x)	78 Stock catch pin
21 Striker spring	50 Striking mechanism spring	79 ---
22 Stock/body joint	51 Left fire mode lever	80 Stock retaining button spring
23 Pistol grip	52 Hammer pin	81 Stock retaining button
24 Locking pin (2x)	53 Hammer	
25 Front locking stud	54 Trigger pin	
26 Extractor pin	55 Block lever	
27 Extractor	56 Trigger housing	
28 Extractor spring	57 Trigger	
29 Extractor spring base	58 Hammer spring	

The parts marked \* differ in accordance with the differing versions, or, as may be the case in some versions, will be entirely missing

## TROUBLESHOOTING

If the firearm is properly used and maintained, malfunctions will rarely occur. However, if such a situation should occur, please observe the following instructions.

CAUTION - if a malfunction occurs, the risk of an accidental discharge is substantially higher. For this reason, when clearing malfunctions, follow the above mentioned Safety Instructions. Keep the firearm pointed in a safe direction, do not turn the firearm towards your or anyone else's body. Do not place your hands in front of the barrel!

Malfunction	Possible Cause	Remedy
Cartridge is not fed into the chamber or the slide is not locked	Magazine is not fully inserted or is damaged. The firearm or cartridges are fouled (dirty).	Insert magazine properly or change magazine. Clean the firearm and cartridges and wipe them dry or as the situation dictates, slightly lubricate.
Misfire	Defective cartridge. Striker hole is fouled (dirty) or improper lubricant was used in low temperature.	Follow the Safety Instructions according to point 19. Have the gun cleaned by a gunsmith or use a low temperature lubricant.
A shot sounds "weak"	The cartridge has been activated but no powder load was inside the cartridge case or the powder was moist.	Unload the firearm and check that the bullet has not obstructed the barrel. Firing with the gun in this condition can cause injury and damage the barrel!
The spent cartridge case has not been ejected	Chamber, extractor or ammunition are dirty or unsuitable lubricant was used in low temperature.	Clean and wipe the firearm dry and lubricate slightly with recommended lubricant. Use clean and new ammunition.
The slide remains in the rear position while firing	The slide or the guide rails are dirty.	Clean the gun dry and/or use a suitable lubricant.

If you are not able to clear the malfunction in a manner described above, entrust the firearm to a competent gunsmith for inspection and repair.

**LIST OF ILLUSTRATIONS**

1. Names of basic parts
2. Unfolding the shoulder stock
3. Folding the shoulder stock
4. Removing the magazine
5. Loading the magazine
6. Loading the gun
7. Locking the gun
8. Pressing the slide release
9. Removing the shoulder stock
10. Retaining the slide in locked open position
11. Extracting the disassembly pin

The Company, reserves the right to make any changes that are necessary in order to improve its models or to meet requirements of production or marketing.

**Antes de manipular el arma, lea cuidadosamente este manual y observe especialmente las siguientes instrucciones de seguridad.**

Manejo incorrecto y descuidado del arma podría producir un disparo no intencionado causando lesiones corporales, muerte o daños a la propiedad. Modificaciones del arma no autorizadas, corrosión o uso de munición no prescrita o averiada pueden llevar a las mismas consecuencias. El fabricante no se hará responsable por las consecuencias originadas en estos casos.

Antes de abandonar la fábrica, el arma fue probada, revisada cuidadosamente y empaquetada. CZ no puede controlar la manipulación del producto una vez que el mismo abandone la fábrica. Por esta razón, al comprar este arma verifique si está descargada y sin averías.

Este Manual de Instrucciones deberá siempre acompañar el arma, incluso cuando la misma fuese prestada o vendida.

**CONTENIDO**

INSTRUCCIONES DE SEGURIDAD	16	Ajuste individual del arma	21
TERMINOLOGÍA Y DESCRIPCIÓN DEL ARMA	18	Desmontaje de la culata	21
INSTRUCCIONES DE USO	19	INSTRUCCIONES DE MANTENIMIENTO	22
Munición	19	Desmontaje del arma para la limpieza	22
Desplegar la culata	19	Limpieza del arma	23
Plegar la culata	19	Limpieza del ánima y de la recámara	23
La extracción del cargador	19	Limpieza de otras partes del arma	24
Cargar el cargador	20	Limpieza de cargadores de polímero	24
Cargar el arma	20	Conservación	24
Ajuste del modo de disparo	20	Tratamiento de los residuos	24
Seguro del arma	20	ELIMINACIÓN DE FALLAS FUNCIONALES	25
Recargar mientras tirando	20	LISTA DE COMPONENTES	26
Descargar el arma	21	LISTA DE ILUSTRACIONES	27
Ajuste de miras	21		



## INSTRUCCIONES DE SEGURIDAD

Mantenga siempre las instrucciones de seguridad; por su seguridad personal y la de los demás.

1. Manipule siempre con su arma como si estuviera cargada.
2. No apunte nunca a ningún objeto, si no tiene la intención de disparar.
3. No confíe a nadie que el arma esté descargada.
4. Antes de dejar de utilizar el arma o entregarla a otra persona, verifique siempre que esté descargada.
5. Almacene el arma descargada y con el mecanismo de percusión suelto.
6. No utilice nunca el arma con otros fines que para disparar.
7. Nunca deje sin vigilancia un arma cargada.
8. Antes de cargar el arma, asegúrese que el ánima del cañón, la recámara y la corredera estén limpios y sin obstrucciones. Limpie el arma después del disparo tan pronto sea posible.
9. No dispare del arma sin conocer la munición que está usando. No utilice una munición sin marcación, recargada manualmente; una munición con casquillo rajado, deformado o abollado, o una bala con signos de avería. La recarga es una actividad especializada y una munición recargada de forma incorrecta (con fallas) puede ser extremadamente peligrosa, con el eventual daño/destrucción grave del arma y lesiones de gravedad o la muerte del tirador y otras personas. Utilice siempre una munición limpia, seca y de fabricación original, de alta calidad y en un buen estado, correspondiente al calibre de su arma.
10. Nunca tome bebidas alcohólicas ni utilice estupefacientes antes o durante el tiro.
11. En caso de ser posible, utilice protectores de oídos y gafas de tiro protectoras durante el tiro.
12. Si el arma está cargada, mantenga el seguro en la posición de seguridad hasta el momento de estar preparado para el disparo. Al retirar el seguro apunte a un espacio seguro.
13. Mantenga libre la ventanilla de expulsión e impida que alguien se coloque en la dirección de la cartuchera expulsada.

14. No presione el disparador y no introduzca los dedos en el guardamonte del disparador, a no ser, que esté apuntando al blanco y preparado para disparar.
15. Antes de presionar el disparador, vuelva a controlar su objetivo y el espacio detrás del mismo. La bala puede atravesar el objetivo o desviarse fuera de éste y pasar a una distancia de varios cientos metros.
16. Nunca dispare a una superficie dura, como una piedra, o una superficie líquida como la del agua por ejemplo.
17. No dispare nunca cerca de un animal que no esté entrenado para este tipo de ruido.
18. Al manipular con el arma, evite todo tipo de "bromas".
19. Falla del disparo: En el caso de no producirse el disparo, mantenga el arma apuntada hacia el blanco de disparar o hacia un espacio seguro y espere treinta segundos. En el caso de producirse una ignición atrasada, el cartucho disparará en treinta segundos. Si no se produciría el disparo, retire el cartucho del cañón y revíselo. Si la huella del percutor en el cartucho es débil o falta, antes de realizar el siguiente disparo deje revisar el arma por un armero calificado.
20. Antes de limpiar, almacenar o transportar el arma, asegúrese siempre que su arma esté descargada. La munición no disparada retire del arma y guarde con seguridad en conformidad con los reglamentos legislativos.
21. Guarde la carabina y la munición siempre en un espacio separado y bajo llave, fuera de alcance y vista de los niños y personas no autorizadas. Proteja la munición siempre del contacto con fuentes de calor y el fuego abierto.
22. No haga arreglos de los componentes del arma, ya que así se podría afectar de una forma seria, la correcta función del arma y su seguridad.
23. Recuerde, que la corrosión, el uso de una munición averiada, caída del arma sobre una superficie dura o una manipulación inadecuada podría causar un daño, que no necesariamente esté percibido a primera vista. En caso que ocurra una situación similar, deje revisar el arma por un especialista.

## TERMINOLOGÍA Y DESCRIPCIÓN DEL ARMA

La denominación de las partes principales del arma, utilizada en este Manual está indicada en el gráfico No. 1 en la parte interior de la tapa del libro. La denominación de todos los componentes del arma está indicada en el capítulo *Lista de componentes*.

El arma CZ SCORPION EVO 3 S1 es una ligera arma de fuego de propósito general para un único soldado. El arma facilita producir disparos singulares. En la versión standard el arma viene provista con una culata desplegable lo cual facilita al tirador apoyar el arma contra su brazo. Cuando la culata está plegada es posible tirar con la mano suelta. Tirando del brazo se alcanza tiro efectivo hasta a la distancia de 250 metros mientras que tirando de la mano el tiro es efectivo hasta 50 metros. Gracias a su peso bajo y exigüidad el arma es conveniente para el porte oculto y para el uso en espacios reducidos.

El arma viene acompañada de cargadores polímeros de doble fila con boca de dos filas y capacidad de 30 cartuchos. Después de disparar el último cartucho del cargador la cerradura queda detenida por el retén. No hace falta utilizar herramienta para desmontar el arma antes de limpiar y conservarla. A demanda del cliente es posible proveer el arma de varios accesorios como por ejemplo silenciadores, varios tipos de linternas incluso sujetadores, marcadores laser, empuñaduras tácticas, colimadores o por ejemplo el sostén delantero que protege la mano del tirador contra quemaduras. Entre propiedades características del arma destacan:

- buena alineación del arma garantiza un apuntaje rápido y fácil
- fácil montaje de los accesorios a las ranuras de sujeción según MIL-STD-1913
- manipuladores ambidiestros bien manejables y accesibles
- desmontaje fácil para la limpieza y mantenimiento regular, posible de realizar sin herramientas algunas
- alta precisión del tiro
- alta vida útil
- alta confiabilidad funcional en todas condiciones del uso y con munición de varios fabricantes
- la posibilidad de ajustar el arma para adaptarse al tirador (la empuñadura es ajustable, la palanca se puede instalar al lado derecho o izquierdo del armazón, la culata es ajustable en longitud y desmontable)
- la boca del cañón en la versión Carbine está provista de una rosca que sirve para sujetar accesorios (el compensador de la elevación, el silenciador, el cubrellamas, etc.)

## INSTRUCCIONES DE USO

### Munición

Utilice siempre una munición de tipo de fabricación autorizada que cumple las normas establecidas para el productor de munición y es aprobada por la organización CIP (Organización internacional para pruebas de armas de fuego manuales y la munición) o SAAMI (una norma norteamericana para armas y munición). El uso de otro tipo de cartuchos podría causar daños en el arma y heridas al tirador. En caso de usar una munición de fabricación industrial con una velocidad estándar el uso de armas de Česká zbrojovka a.s. es seguro. Compruebe la munición que va a utilizar para tener la seguridad que la misma corresponde al calibre de su arma. La munición de fabricación comercial dispone de una demarcación clara del calibre en el fondo, eventualmente en la proximidad del fondo de casquillo.

Nota: Verifique de antemano la función de cartuchos cuyo forma no es ojival.

### Desplegar la culata

Sujete el arma, empuje la culata suavemente hacia abajo y despléguela del lado del armazón hacia atrás. Una vez desplegada la culata su botón se introduce en la ranura fijando la culata contra plegado involuntario. Para ajustar la longitud de la culata tome su parte trasera y estírela hacia atrás. Para meter la culata adentro o sacarla es necesario presionar el botón del ajuste de la culata (Dib. 2).

### Plegar la culata

Sujete el arma fuerte con una mano. Presione la parte rayada del trinquete de la culata (Dib. 3) con el dedo gordo de la otra mano y pliegue la culata hacia derecha en la dirección del tiro hasta que alcanza la posición externa donde se asegura.

### La extracción del cargador

Sujete la empuñadura del arma en una mano y el cargador en la otra. Presione el retén del cargador por el dedo gordo (Dib. 4) y al mismo tiempo retire el cargador estirándolo hacia abajo. Si necesita retirar el cargador deprisa es conveniente presionar el retén del cargador directamente con el dedo de la mano con la que tira.

### **Cargar el cargador**

Sujete el cargador en la mano con la boca hacia arriba. Coloque un cartucho a la parte delantera del aportador y presiónelo hacia abajo hasta que tope el lado posterior de la boca del cargador (Dib. 5). Coloque el siguiente cartucho sobre el previo y presiónelo de la misma manera.

El cargador transparente facilita controlar el número de cartuchos mientras se carga. No intente a extender la capacidad del cargador ya que esto podría causar acceso defectuoso del primero cartucho a la recámara.

### **Cargar el arma**

**¡AL CARGAR EL ARMA SIEMPRE APUNTE HACIA UN ESPACIO SEGURO!**

Introduzca el cargador lleno en el arma y verifique que sea retenido por el retén del cargador.

Active el arma posicionando el seguro en la posición de disparo.

Sujete la empuñadura del arma con una mano y con la otra mano agarre la palanca colocada en la parte izquierda (derecha, respectivamente) de la anteculata. Aprete la corredera hacia atrás al tope y suéltela (Dib. 6). Durante este proceso se monta el martillo y un cartucho se introduce en la recámara. Ahora el arma está lista para disparar. Si no va a disparar inmediatamente asegure el arma de la manera descrita en la parte *Seguro del arma*.

### **Ajuste del modo de disparo**

Si necesita tirar disparos singulares coloque el seguro en la posición "I". Después de pulsar el disparador un cartucho viene disparado del arma. Soltando el disparador y pulsándolo otra vez el arma produce otro disparo.

### **Seguro del arma**

Coloque el seguro en la posición señalada como "0". De esta manera se desactiva el mecanismo disparador así que no es posible pulsar el disparador (Dib. 7).

### **Recargar mientras tirando**

Después de disparar el último cartucho la cerradura permanece en la posición trasera. Retire el cargador vacío e introduzca un cargador lleno. Tire la cerradura suavemente hacia atrás y suéltela o presione el retén de la cerradura (Dib. 8).

### **Descargar el arma**

¡APUNTE HACIA UN ESPACIO SEGURO!

- Retire el cargador
- Active el arma colocando el seguro en la posición de disparo
- Tire la cerradura en la posición trasera y verifique que la recámara está vacía (inclinando la palanca hacia arriba es posible fijar la cerradura en la posición trasera mientras que otra persona puede examinar la recámara)
- Suelte la cerradura hacia adelante
- Presione el disparador (disparo en seco)

### **Ajuste de miras**

La mira del arma fue ajustada en la fábrica para tirar a una distancia de 25 metros de tal modo que el punto central de impacto corresponda al punto de mira. La corrección, si es necesaria, se puede ejecutar ajustando la posición horizontal o la altura de la mira.

### **Ajuste individual del arma**

La posición de la empuñadura que determina la distancia entre la palma del tirador y el disparador del arma se puede ajustar según las necesidades individuales del tirador. Después de soltar el perno de la empuñadura es posible mover la misma hacia adelante o atrás. Una vez ajustada la empuñadura es necesario fijar su posición agarrando su perno.

La palanca de la cerradura se puede montar en el lado derecho o izquierdo del receptor. Es posible cambiar la localización de la palanca desacoplando la varilla de la cerradura que está firmemente unida con la palanca y dándola una vuelta. Antes de soltar la varilla de la cerradura hay que extraer la clavija de la anteculata y, por el agujero de la clavija, presionar el muelle que le asegura a la varilla para que no se suelte.

### **Desmontaje de la culata**

La culata se puede quitar por completo en caso de ser necesario. Antes de quitarla, colóquela en la posición plegada parcial y apóyela con el compensador en una superficie firme. Con el dedo de una mano presione el botón de desmontaje, con la palma de la otra mano presione en la superficie inferior de la articulación de la culata y luego sáquela de las ranuras en la dirección hacia arriba (Dib. 9).

Para volver a montar la culata presione primero el botón de desmontaje y luego introduzca la base de la culata en las ranuras en la parte posterior del marco en la dirección desde arriba hacia abajo. Una vez que la culata esté colocada su posición extrema, su botón encaja de forma audible en el agujero, fijándose la culata.

**Nota:**

El desmontaje más difícil de la culata se ajustó para delimitar el juego libre de la articulación para asegurar un mayor confort de tiro del usuario. Antes de volver a montar la culata se recomienda aplicar en las superficies del armazón un medio de conservación para reducir la fuerza de fricción (por ejemplo, vaselina de grafito). ¡Utilice exclusivamente medios destinados para plásticos!

### **INSTRUCCIONES DE MANTENIMIENTO**

#### **Desmontaje del arma para la limpieza**

1. ¡APUNTE HACIA UN ESPACIO SEGURO!
2. Retire el cargador.
3. Despliegue la culata.
4. Active el arma posicionando el seguro en la posición de disparo.
5. Desplace la cerradura hacia atrás utilizando la palanca e inclinándola hacia arriba fije la cerradura (Dib. 10). La cerradura permanece detenida en la posición trasera.
6. Sujete la empuñadura del arma con una mano. Con el dedo gordo de la otra mano presione la parte delantera del mecanismo disparador y empuje la parte exterior del perno de desmontaje (Dib. 11). Ahora saque el perno de desmontaje desde el otro lado del arma hasta el tope. Luego sujete la funda del mecanismo disparador en la parte donde se encuentra la boca del cargador, suéltela suavemente hacia atrás y después hacia abajo y retírela del arma.
7. Mueva la cerradura suavemente hacia atrás con el dedo gordo y suéltela hacia abajo. Ahora es posible extraer la cerradura y el muelle de avance del arma.

Este tipo de desmontaje es suficiente para un mantenimiento rutinario. Al desmontar el arma tenga cuidado que no se lance, pierda o cause daño ninguna de las partes del arma.

### ATENCIÓN:

No desmonte ningunas otras piezas. Si cree que el arma requiere de un ajuste o una reparación entréguela a un taller especializado!

### Limpieza del arma

Limpie el arma

- Después de cada uso
- Siempre después que entre en contacto con humedad
- Lo antes posible después de tirar
- Por lo menos una vez al año en climas templados
- En condiciones climáticas exigentes por lo menos una vez al mes

### Limpieza del ánima y de la recámara

En caso que no se haya disparado del arma o si solamente se han disparado pocos cartuchos, limpie el ánima y la recámara con un pedazo de tela seca colocada en el extremo de una baqueta. Cambie la tela tantas veces hasta que el último pedazo quede limpio.

Cuando el ánima se encuentre muy sucia, límpiela y la recámara utilizando un cepillo remojado en una solución limpiadora, deje actuarla aproximadamente 10 minutos (el tiempo de actuación puede variar de acuerdo con el tipo del producto de limpieza) y limpie el ánima con un cepillo. Seque el ánima y la recámara con un pedazo de tela limpia y verifique, si se eliminaron todos los residuos. Repita el procedimiento en caso de necesidad.

Introduzca la baqueta y el cepillo en el cañón a través de la recámara para evitar que la boca del cañón se dañe. Pase el cepillo por todo el largo del cañón antes de invertir el movimiento. Si trata de cambiar de dirección con el cepillo dentro del cañón, el cepillo podría atascarse.

En la versión CZ SCORPION EVO3 S2 MICRO utilizar durante la limpieza para las tuercas del cañón el raspador incluido.



### **Limpieza de otras partes del arma**

Las otras partes metálicas del arma deben limpiarse con una tela seca, un cepillo de dientes viejo, un cepillo de cerdas de bronce o raspadores de madera. Durante la limpieza se puede utilizar también un aceite de preservación. Sin embargo, ¡no emplee nunca la solución determinada para la limpieza del ánima del cañón! Estas soluciones podrían permanecer en las hendiduras de los componentes y con el tiempo causar corrosión. Compruebe que ningún trozo de tela o alguna cerda de cepillo hayan quedado alojados en alguna parte del arma.

### **Limpieza de cargadores de polímero**

Si los cargadores están muy sucios (en caso de usar el arma en condiciones climáticas difíciles - polvo, lodo, etc.), eventualmente si es necesario solo hacerles un mantenimiento (después de un uso prolongado o un almacenaje sin limpieza) es completamente apropiado, después de realizar un desmontaje previo, lavar las partes de polímero del conjunto del cargador en un detergente, secarlas y luego dejar a secar al aire. Antes de volver a montar el cargador no es necesario realizar ninguna preservación de las piezas. Tampoco es necesario hacer una preservación de los cargadores completos.

### **Conservación**

Una vez que el ánima del cañón, la recámara y todas las partes accesibles estén limpias y secas, frótelas con un paño remojado en aceite de preservación o aplique dicho aceite mediante un rociador. Para el correcto funcionamiento del arma es necesario aplicar el aceite a los puntos de lubricación (vea el dibujo en la página interior del pliego). Retire luego el exceso de aceite.

Antes de disparar, seque completamente el ánima del cañón. Si utiliza el arma en temperaturas muy bajas, retire el aceite de todas las partes accesibles y aplique un lubricante especial determinado para estas condiciones climáticas.

Utilice la grasa preservante únicamente en el caso de un almacenaje de larga duración en condiciones climáticas extremas. Antes de usar el arma, retire dicha grasa por completo.

### **Tratamiento de los residuos**

Si son manejados de manera correcta, el material, los envases y los embalajes del producto no tienen ninguna incidencia negativa ni sobre la salud humana ni sobre el medio ambiente. Si necesita deshacerse del producto o su embalaje, los componentes metálicos (acero, metales de color), los plásticos, la madera y el papel-cartón tienen que ser depositados selectivamente en los contenedores destinados para estos materiales.

**ELIMINACIÓN DE FALLAS FUNCIONALES**

Con un uso y mantenimiento correctos hay muy poca probabilidad que se produzca una avería. En caso de producirse tal situación, diríjase con las siguientes instrucciones.

**ATENCIÓN** - En caso que se produzca una falla durante el disparo, aumenta notablemente la probabilidad de un disparo no intencionado. Por esta razón mantenga al pie de letra las instrucciones de seguridad indicadas más arriba. ¡Apunte siempre hacia un espacio seguro, no dé la vuelta al arma enfrente suyo ni frente a otras personas, no coloque las manos delante de la boca del cañón!

Falla	Causa probable	Forma de eliminarla
El cartucho no entra en la recámara o la cerradura no cierre al tope	El cargador no está encajado suficientemente o se encuentra averiado. El arma o los cartuchos están sucios.	Introduzca correctamente el cargador o utilice uno nuevo.  Limpie y seque el arma y los cartuchos, eventualmente lubrique suavemente.
Fallos al disparar	Cartucho que utiliza es defectuoso. El agujero del percutor se encuentra sucio o se utilizó un lubricante inadecuado bajo temperaturas ambientales bajas.	Prosiga según el punto 19 de las Instrucciones de seguridad. Entregue el arma al armero o aplique lubricante para temperaturas bajas.
El disparo "débil"	El cartucho se activó, pero no hubo pólvora en la cartuchera.	Descargue el arma y compruebe que la bala no haya quedado atascada en el cañón. ¡Un siguiente disparo eventual podría ocasionar serios daños al cañón!
La vaina no ha sido expulsada	La recámara, el extractor o la munición están sucios, eventualmente se ha aplicado un lubricante inadecuado para temperaturas bajas.	Limpie y seque el arma, eventualmente lubríquela ligeramente con un lubricante adecuado. Utilice munición nueva y limpia.
La cerradura permanece en la posición trasera durante el tiro	La cerradura o las ranuras guías están sucias.	Limpie el arma seco o aplique lubricante adecuado.

Si no es posible, reparar las fallas según las instrucciones arriba descritas, entregue el arma para la revisión y reparación en un taller especializado.

LISTA DE COMPONENTES

1 Compensador *	32 Bloque	60 Tapón del seguro
2 Tuerca del cañón	33 Percutor	61 Clavija del tapón del seguro
3 Cañón *	34 Tapón guía	62 Clavija del mango del disparador
4 Retén del compensador	35 Muelle de avance	63 Plantilla del disparador
5 Anillo de isolación	36 Tapón paragolpes	64 Muelle del retén del martillo
6 Anteculata	37 Arandela del muelle recuperador	65 ---
7 Clavija de anteculata	38 Clavija del retén del cargador	66 Guión
8 Ojete delantero (2x)	39 Retén del cargador	67 Alza
9 Receptor	40 Muelle del retén del cargador	68 Muelle del disparador
10 Tirante y el banco	41 Tapón de desmontaje	69 Muelle del retén de la culata
11 Perno del receptor corto (4x)	42 Funda del mecanismo disparador	70 Tubo de la culata
12 Perno del receptor largo (2x)	43 Resorte del dispositivo de tiro	71 Retén de la culata
13 Perno del receptor medio	44 Dispositivo de tiro	72 Clavija del pivote
14 Perno de la empuñadura	45 Tapón de eyector	73 Clavija del ajustador
15 Seguro derecho	46 Eyector	74 Clavija de la culata
16 Fondo del cargador	47 Contenedor del disparador	75 Culata
17 Retén del fondo del cargador	48 Perno del contenedor	76 Ajustador de la culata
18 Aportador	49 Perno del seguro (2x)	77 Muelle del ajustador
19 Camisa del cargador	50 Muelle del mecanismo percutor	78 Clavija del retén de la culata
20 Muelle del cargador	51 Seguro izquierdo	79 ---
21 Muelle del percutor	52 Tapón del martillo	80 Muelle del botón de desmontaje
22 Pivote	53 Martillo	81 Botón de desmontaje
23 Empuñadura	54 Tapón del disparador	
24 Clavija del tapón (2x)	55 Palanca del bloque	
25 Tapón anterior	56 Disparador	
26 Tapón del extractor	57 Mango del disparador	
27 Extractor	58 Muelle del martillo	
28 Muelle del extractor	59 Interruptor	
29 Alza del muelle del extractor		
30 Cerradura		
31 Muelle del bloque		

\* Los componentes demarcados de esta manera difieren en las variadas versiones, eventualmente en algunas versiones faltan completamente

**LISTA DE ILUSTRACIONES**

1. Denominación de las partes básicas
2. Desplegar la culata
3. Plegar la culata
4. La extracción del cargador
5. Cargar el cargador
6. Cargar el arma
7. Seguro del arma
8. Presionar el retén de la cerradura
9. Desmontaje de la culata
10. Detener la cerradura en la posición abierta
11. Presionar el tapón de desmontaje

El productor se reserva el derecho de realizar cambios que considere indispensables para el mejorar sus modelos o para satisfacer los requerimientos de carácter industrial o comercial.

NOTES - NOTAS - POZNÁMKY - ANMERKUNGEN - NOTICES

.....

.....

.....

.....

.....

.....

**Dříve než začnete zacházet se zbraní, seznamte se s tímto návodem a zvláště s následujícími bezpečnostními pokyny.**

Nesprávné a nedbalé zacházení se zbraní může způsobit neúmyslný výstřel, který může mít za následek zranění, smrt nebo škodu na majetku. Stejně následky mohou mít svévolné úpravy, koroze nebo používání nepředepsaných nebo poškozených nábojů. V těchto případech nemůže výrobce nést za vzniklé následky odpovědnost.

Předtím, než byla tato zbraň dána do prodeje, byla přezkoušena, pečlivě prohlédnuta a zabalena. CZ nemůže kontrolovat zacházení se zbraní potom, co opustí továrnu. Proto si při koupi této zbraně ověřte, že je nenabitá a nepoškozená.

Tato příručka s instrukcemi by měla být vždy ke zbraní přiložena a to i v případě, že ji někomu půjčíte nebo prodáte.

### OBSAH

BEZPEČNOSTNÍ POKYNY	30	Možnosti individuálního přizpůsobení	35
NÁZVOSLOVÍ A POPIS ZBRANĚ	32	Sejmutí ramenní opěry	35
POKYNY PRO POUŽÍVÁNÍ	33	<b>POKYNY PRO ÚDRŽBU</b>	36
Střelivo	33	Rozborka pro čištění	36
Vztyčení ramenní opěry	33	Čištění zbraně	37
Sklopení ramenní opěry	33	Čištění vývrtu a nábojové komory	37
Vyjmutí zásobníku	33	Čištění ostatních částí zbraně	37
Plnění zásobníku	33	Čištění plastových zásobníků	38
Nabíjení zbraně	34	Konzervace	38
Nastavení režimu střelby	34	Nakládání s odpady	38
Zajištění zbraně	34	<b>ODSTRAŇOVÁNÍ FUNKČNÍCH ZÁVAD</b>	39
Přebíjení během střelby	34	<b>SEZNAM SOUČÁSTEK</b>	40
Vybíjení zbraně	35	<b>SEZNAM OBRÁZKŮ</b>	41
Nastavení mířidel	35		

## BEZPEČNOSTNÍ POKYNY

Dbejte dodržování bezpečnostních pokynů pro bezpečnost vaši a bezpečnost ostatních.

1. Vždy zacházejte se svou zbraní, jako kdyby byla nabitá.
2. Nikdy svou zbraní nemiřte na cokoli, na co nemíníte střílet.
3. Nikomu nevěřte, že zbraň není nabitá.
4. Než zbraň odložíte nebo předáte jiné osobě, vždy se přesvědčte, že není nabitá.
5. Zbraň přechovávejte nenabitou, se spuštěným bicím mechanismem.
6. Nikdy nepoužívejte zbraň k jinému účelu než ke střelbě.
7. Nikdy nenechávejte zbraň nataženou a nabitou bez dozoru.
8. Před nabitím zbraně se přesvědčte, že vývrt hlavně, komora a závěr jsou čisté a bez překážek. Zbraň znečištěnou od střelby co nejdříve vyčistěte.
9. Nestřílejte ze zbraně, pokud si nejste jisti střelivem, které používáte. Nepoužívejte neoznačené nebo ručně přebíjené střelivo neznámého původu, střelivo s naprasklou, deformovanou nebo promáčknutou nábojnicí nebo střelou vykazující známky poškození. Přebíjení je odborná činnost a nesprávně (chybně) přebíjené střelivo může být extrémně nebezpečné. Výsledkem může být těžké poškození/zničení zbraně a vážná zranění či smrt střelce i dalších osob. Používejte pouze čisté, suché, originální továrně vyrobené střelivo vysoké kvality v dobrém stavu, příslušné pro ráži vaší zbraně.
10. Před střelbou nebo během střelby nepijte alkoholické nápoje a neužívejte drogy.
11. Pokud to okolnosti umožní, používejte při střelbě chrániče sluchu a ochranné střelecké brýle.
12. Když je zbraň nabitá, mějte pojistku v poloze zajištěno až do okamžiku, kdy jste připraveni ke střelbě. Při odjišťování mířte do bezpečného prostoru.
13. Neblokujte výhozné okénko a dbejte na to, aby nikdo nepřekážel ve směru vyhozené nábojnice.

14. Nemačkejte spoušť a nedávejte prsty do lučičku spouště, pokud nemíříte na cíl a nejste připraveni střílet.
15. Než stisknete spoušť, ještě jednou si zkontrolujte váš cíl a prostor za ním. Střela může letět skrze nebo mimo váš cíl ještě několik stovek metrů.
16. Nikdy nestřílejte na tvrdý povrch jako je kámen nebo na vodní hladinu.
17. Nestřílejte ze zbraně poblíž zvířete, pokud není na tento hluk vycvičeno.
18. Pokud držíte zbraň, nikdy se neoddávejte "hrubým žertům".
19. Selhání výstřelu: V případě, že nedojde k výstřelu, držte zbraň namířenou na cíl nebo do bezpečného prostoru a počkejte třicet sekund. Pokud nastal zpožděný zápal, náboj do třiceti sekund vystřelí. Jestliže k výstřelu nedojde, vyjměte náboj z hlavně a prohlédněte jej. Je-li otisk od úderníku na náboji slabý nebo žádný, nechte před další střelbou zbraň prohlédnout kvalifikovaným zbrojířem.
20. Před čistěním, skladováním nebo dopravou se vždy přesvědčte, že vaše zbraň není nabita. Nevystřelené střelivo vyjměte ze zbraně a bezpečně uložte v souladu se zákonnými předpisy.
21. Zbraň a střelivo přechovávejte v odděleném a uzamčeném prostoru mimo dosah a dohled dětí a nepovolaných osob. Vždy chraňte střelivo před zdrojem tepla a otevřeným ohněm.
22. Nikdy neupravujte součástky zbraně. Můžete tak závažným způsobem narušit její správnou funkci nebo bezpečnost.
23. Pamatujte, že koroze, použití vadných nábojů, pád zbraně na tvrdý povrch nebo jiné "hrubé zacházení" může způsobit poškození, které nemusí být na první pohled patrné. Pokud k něčemu takovému dojde, nechte zbraň prověřit u odborníka.



## NÁZVOSLOVÍ A POPIS ZBRANĚ

Názvy základních částí zbraně používané v tomto návodu jsou uvedeny na obrázku 1 na vnitřní straně obálky. Názvy všech součástek jsou uvedeny v kapitole *Seznam součástek*.

CZ SCORPION EVO 3 S1 je univerzální, lehká, ruční zbraň jednotlivce umožňující střelbu jednotlivými ranami. V základním provedení je zbraň opatřena sklopnou ramenní opěrou, která umožňuje střelbu z ramene. Je-li ramenní opěra sklopena, je možno střílet z volné ruky. Účinná střelba z ramene je do 250 m a z ruky do 50 m.

Ke zbrani se dodávají plastové dvouřadé zásobníky s dvouřadým vyústěním o kapacitě 20 nábojů. Po vystřelení posledního náboje ze zásobníku zůstane závěr zachycen na záchyty závěru. K rozebírání zbraně pro čištění a konzervaci není třeba žádné demontážní nářadí. Na zvláštní požadavek lze dodávat příslušenství jakými jsou tlumič hluku výstřelu, několik typů svítilen včetně rychloupínacích držáků, laserové značkovače, taktické rukojeti nebo kolimátory. Mezi charakteristické vlastnosti zbraně patří:

- dobré vyvážení zbraně zaručuje pohotovost a snadné zamerování
- snadná montáž příslušenství na upínací drážky dle MIL-STD-1913
- snadno ovladatelná a dobře přístupné ovladače v oboustranném provedení
- snadná demontáž pro čištění a běžnou údržbu, proveditelná bez jakéhokoliv nářadí
- vysoká přesnost střelby
- vysoká životnost
- vysoká funkční spolehlivost za všech podmínek používání i při použití střeliva od různých výrobců
- možnost individuálního přizpůsobení (nastavitelná pažbička, natahovač lze zamontovat z pravé i levé strany, délkově regulovatelná pažba s možností úplného sejmutí)
- ústí hlavně u provedení Carbine je opatřeno závitem pro upevnění úst'ových zařízení (kompenzátor zdvihu, tlumič hluku, tlumič plamene apod.)

## POKYNY PRO POUŽÍVÁNÍ

### Střelivo

Vždy používejte střelivo dovoleného výrobního provedení, které splňuje normy stanovené pro výrobce střeliva a je schváleno organizací CIP (Mezinárodní organizace pro zkoušení ručních palných zbraní a střeliva), případně SAAMI (americká norma pro zbraně a střelivo). Použití jiných nábojů může způsobit poškození zbraně nebo zranění střelce. Při použití továrního střeliva se standardní rychlostí je používání zbraní České zbrojovky a.s. bezpečné. Zkontrolujte střelivo, které hodláte použít, abyste měli jistotu, že odpovídá ráži vaší zbraně. Komerčně vyráběné střelivo má u každého náboje označení ráže jasně vyznačeno na dně, případně okolo dna nábojnice.

Poznámka: Náboje s jiným než oválním tvarem střely předem funkčně ověřte.

### Vztyčení ramenní opěry

Uchopte zbraň, mírně ramenní opěru zatlačte směrem dolů a vyklopte z boční polohy směrem dozadu. Po vztyčení ramenní opěry dojde k zaskočení tlačítka do drážky a opěra se zafixuje proti nechtěnému sklopení. Uchopením za opěrnou část a zatažením směrem dozadu lze ramenní opěru vysunout a nastavit délkově. Při zasouvání a vysouvání opěry zpět je nutné stlačit polohovač ramenní opěry (obr. 2).

### Sklopení ramenní opěry

Jednou rukou pevně uchopte zbraň. Palcem druhé ruky stlačte rýhovanou část západky opěry (obr. 3) a následně opěru sklopte na pravou stranu ve směru střelby až do krajní polohy, kdy dojde k jejímu zachycení.

### Vyjmutí zásobníku

Jednou rukou uchopte zbraň za rukojeť a druhou rukou zásobník. Palcem stiskněte záchyť zásobníku (obr. 4) a současným tahem směrem dolů zásobník vyjměte. Rychlým způsobem vyjmutí zásobníku je přímé zatlačení záchyty zásobníku prstem střelce ruky.

### Plnění zásobníku

Zásobník uchopte do ruky ústím nahoru. Položte náboj na podavač dnem k zadní stěně zásobníku a stlačte jej dolů, až zapadne pod hubici zásobníku (obr. 5). Další náboj umístěte na předcházející a zasuňte stejným způsobem.

Počet nábojů v průhledném plastovém zásobníku můžete snadno sledovat po celou dobu jeho plnění. Nepokoušejte se však překročit kapacitu zásobníku - mohlo by to způsobit vadné podání prvního náboje do komory.

### Nabíjení zbraně

PŘI NABÍJENÍ MĚJTE ZBRAŇ VŽDY ZAMÍŘENOU DO BEZPEČNÉHO PROSTORU!

Plný zásobník vsuňte do zbraně a ujistěte se, že je zachycen záchytem zásobníku.

Odjistěte zbraň přestavením ovladače (pojistky) do polohy umožňující střelbu.

Uchopte zbraň jednou rukou za rukojeť a druhou rukou uchopte hmatník natahovače, umístěný na levé (pravé) straně předpažbí. Závěr natáhněte směrem dozadu až na doraz a vypusťte (obr. 6). Přitom se natáhne kládívko a do komory se zasune náboj. Nyní je zbraň připravena ke střelbě. Pokud nehodláte bezprostředně střílet, zajistěte zbraň způsobem popsáným v části *Zajištění zbraně*.

### Nastavení režimu střelby

Střílet jednotlivými ranami lze po přestavení ovladače (pojistky) do polohy "I". Po stisknutí spouště dojde k výstřelu jednoho náboje. Po uvolnění spouště a jejím opětovném stisknutí dojde k dalšímu výstřelu.

### Zajištění zbraně

Přestavte ovladač (pojistku) do polohy označené "0". Tím zablokujete spoušťový mechanismus takže není možné stisknout spoušť (obr. 7).

### Přebíjení během střelby

Po vystřelení posledního náboje zůstane závěr v zadní poloze (střelecká pohotovost). Vyjměte prázdný zásobník a vsuňte naplněný. Natáhněte závěr kousek dozadu a vypusťte jej nebo stlačte záchyt závěru (obr. 8). Zbraň je opět nabita a připravena ke střelbě.

**Vybíjení zbraně****ZAMIŘTE DO BEZPEČNÉHO PROSTORU!**

- vyjměte zásobník
- odjistěte zbraň přestavením ovladače (pojistky) do polohy umožňující střelbu
- natáhněte závěr do zadní polohy a přesvědčte se, že je nábojová komora prázdná (vykloněním natahovače směrem nahoru je možné natažený závěr zafixovat v zadní poloze a umožnit tak provedení kontroly nábojové komory další osobou)
- vypusťte závěr dopředu
- stiskněte spoušť (rána jistoty)

**Nastavení mířidel**

Zbraň byla ve výrobním podniku nastřelena na vzdálenost 25 metrů tak, že střední bod zásahu se přibližně shoduje se záměrným bodem. Případnou korekci zásahů lze provést bočním nebo výškovým nastavením hledí.

**Možnosti individuálního přizpůsobení**

Poloha pažbičky určující vzdálenost mezi rukou a spouští může být snadno přizpůsobena konkrétním potřebám uživatele. Pažbičku lze horizontálně posunovat po povolení šroubu pažbičky. Po přenastavení pažbičky je nutné její polohu zajistit dotažením šroubu.

Hmatník natahovače závěru může být zamontován z pravé nebo levé strany. Tato změna se provádí úplným vysunutím a otočením táhla závěru, se kterým je hmatník pevně spojen. Před úplným uvolněním táhla je nutné vyjmout kolík předpažbí a jeho otvorem zatlačit na pružinu táhla, která ho pojišťuje proti vypadnutí.

**Sejmutí ramenní opěry**

V případě potřeby je možné ramenní opěru zcela sejmut. Ramenní opěru před sejmutím uveďte do částečně sklopené polohy a zbraň opřete kompenzátořem o podložku. Prstem jedné ruky stiskněte demontážní tlačítko, dlaní druhé ruky zatlačte na spodní plochu kloubu ramenní opěry a následně ji vysuňte z drážek směrem nahoru (obr. 9).

Při zpětné montáži opěry nejprve stiskněte demontážní tlačítko a poté zasuňte základnu ramenní opěry do drážek v zadní části pouzdra směrem shora dolů. Po dotlačení do krajní spodní polohy dojde ke slyšitelnému zapadnutí tlačítka do otvoru, čímž se celá opěra zafixuje.

### Poznámka:

Obtížnější sejmutí pažby je nastaveno z důvodu vymezení vůle kloubu pro lepší střelecký komfort uživatele. Před zpětným nasazením opěry je vhodné plochy pouzdra namazat konzervačním prostředkem ke snížení třecí síly (např. grafitovou vazelinou). Vždy používejte výhradně přípravky určené pro plasty!

## POKYNY PRO ÚDRŽBU

### Rozborka pro čištění

1. ZAMIŘTE DO BEZPEČNÉHO PROSTORU!
2. Vyměte zásobník.
3. Vztýčte ramenní opěru.
4. Odjistěte zbraň přestavením ovladače (pojistky) do polohy umožňující střelbu.
5. Závěr pomocí natahovače přesuňte do zadní polohy a následně jej zafixujte vyklopením natahovače směrem nahoru (obr. 10). Závěr tak zůstane bezpečně zachycen v zadní poloze.
6. Jednou rukou pevně uchopte zbraň za rukojeť. Palcem druhé ruky zatlačte na přední oblast pouzdra spouštědla a následně zatlačte na vystupující konec rozborného čepu (obr. 11). Poté rozborný čep zatažením z opačné strany vysuňte až na doraz. Uchopte pouzdro spouštědla v místě šachty zásobníku, mírný zatažením dozadu a pak směrem dolů pouzdro ze zbraně vyjměte.
7. Palcem ruky posuňte závěr mírně dozadu a následně závěr vyklopte směrem dolů. Poté je možné závěr úplný i s vratnou pružinou vyjmout ze zbraně.

Potud provedená rozborka pro běžnou údržbu stačí. Při rozebírání zbraně dbejte na to, aby žádná součástka nebo pružina nemohla být vymrštnuta, ztracena nebo aby nezpůsobila zranění.

**UPOZORNĚNÍ:** Žádné další díly nedemontujte. Pokud se domníváte, že zbraň vyžaduje seřízení nebo opravu, svěťte ji odborné dílně!

### Čistění zbraně

Čistěte zbraň

- po každém použití
- po každém navlhnutí
- co nejdříve po střelbě
- v mírných klimatických podmínkách nejméně jednou za rok
- v náročných klimatických podmínkách nejméně jednou měsíčně

### Čistění vývrtnu a nábojové komory

Pokud nebylo ze zbraně stříleno nebo bylo vystřeleno jen několik nábojů, vytírejte vývrt a nábojovou komoru suchým hadříkem navlečeným do vytěraku. Hadříky vyměňujte tak dlouho, až bude poslední kousek čistý. Pokud je vývrt silně znečištěn, naneste do něj a do komory kartáčkem čisticí roztok, nechte asi 10 minut působit (doba působení se může u různých čisticích prostředků lišit) a vyčistěte kartáčkem. Vysušte vývrt a komoru čistým hadříkem a zkontrolujte, zda byly všechny spaliny odstraněny. V případě potřeby postup opakujte.

Vytěrák i kartáček zasouvejte do hlavně od komory, abyste nepoškodili ústí hlavně. Kartáček protlačujte celou hlavní, než změňte směr pohybu. Pokud byste změnil směr pohybu s kartáčkem v hlavní, mohl by se kartáček v hlavní vzpříčit.

U provedení CZ SCORPION EVO3 S2 MICRO používat na matice hlavně při čištění přiloženou škrabku.

### Čistění ostatních částí zbraně

Ostatní kovové části zbraně čistěte suchým hadříkem, starým kartáčkem na zuby, mosazným kartáčkem nebo dřevěnou škrabkou. Při čištění můžete použít i konzervační olej. Nikdy však nepoužívejte roztok určený pro čištění vývrtnu! Ten by mohl zůstat ve spárách mezi součástkami a po delší době způsobit korozi. Přesvědčte se, že zbytky hadříku nebo štětiny z kartáčku neuvízly v žádné části zbraně.

### Čištění plastových zásobníků

V případě silnějšího znečištění zásobníků (při použití zbraně v náročných klimatických podmínkách - prach, bláto, aj.) případně při nutnosti zásobníky pouze ošetřit (po dlouhodobém používání či skladování bez čištění) je plně vyhovující, po předchozí demontáži zásobníků, plastové díly sestavy zásobníku oprat v saponátu, osušit a poté ponechat doschnout volně na vzduchu. Před zpětným sestavením zásobníku není nutné díly jakkoliv konzervovat. Konzervovat není nutné ani již sestavené zásobníky.

### Konzervace

Vývrt, nábojovou komoru a všechny přístupné kovové součásti po vyčištění do sucha potřete hadříkem zvlhčeným v konzervačním oleji nebo použijte olej ve spreji. Pro správnou funkci zbraně je nezbytné olej nanést na mazací místa (viz. vyobrazení na vnitřní straně obálky). Přebytečný olej setřete.

Před střelbou vytřete vývrt do sucha. Používáte-li zbraň při nízkých teplotách, odstraňte olej ze všech přístupných částí nebo použijte speciální mazadlo určené pro tyto podmínky. Husté konzervační prostředky jako např. vazelinu používejte jen pro dlouhodobé skladování v náročných klimatických podmínkách a před použitím ji důkladně odstraňte ze všech částí zbraně.

### Nakládání s odpady

Materiály výrobku a obalu nemají při správném používání žádné negativní dopady na zdraví člověka ani životní prostředí. V případě nutnosti odstranění výrobku nebo jeho obalu platí, že kovové součásti (ocel a barevné kovy), plasty, dřevo, papír a lepenka se ukládají odděleně do sběrných nádob k tomu určených.

### ODSTRAŇOVÁNÍ FUNKČNÍCH ZÁVAD

Při správném používání a údržbě je pravděpodobnost vzniku závad minimální. Pokud tato situace přesto nastane, řiďte se následujícími pokyny.

**POZOR** - pokud vznikne při střelbě závada funkce, mimořádně se zvyšuje pravděpodobnost nechtěného výstřelu. Proto při odstraňování závady důsledně dodržujte dříve uvedené bezpečnostní pokyny. Mířte neustále do bezpečného prostoru, neotáčejte zbraň proti sobě ani proti jiným osobám, nedávejte ruce před ústí hlavně!

Závada	Pravděpodobná příčina	Způsob odstranění
Nepodání náboje do komory nebo nedovření závěru	Zásobník není dostatečně zasunut nebo je poškozený. Zbraň nebo náboje jsou znečištěny.	Zasuňte řádně zásobník nebo použijte jiný. Vyčistěte zbraň a náboje do sucha, případně je lehce namažte.
Selhač	Použitý náboj je vadný. Znečištěný otvor pro úderník nebo nevhodné mazadlo při nízké okolní teplotě.	Postupujte podle bodu 19 bezpečnostních pokynů. Předejte zbraň k vyčištění zbrojíři, případně použijte mazadlo pro nízké teploty.
"Slabá rána"	Náboj byl aktivován, ale v nábojnici nebyl prach nebo byl navlhlý.	Vybijte zbraň a přesvědčte se, zda střela neuvízla v hlavni. Případný další výstřel by mohl vážně poškodit hlavěň!
Nevyhození	Znečištěná nábojová komora, vytahovač nebo náboje, případně použití nevhodného mazadla při nízké teplotě.	Vyčistěte zbraň do sucha, případně lehce namažte vhodným mazadlem. Používejte nové, čisté střelivo.
Při střelbě zůstává závěr v zadní poloze	Znečištění závěru, vodicích lišt.	Vyčistěte zbraň do sucha, případně lehce namažte vhodným mazadlem.

Pokud nelze závadu odstranit žádným z výše uvedených způsobů, svěťte zbraň k prohlídce a opravě odborné dílně.



## SEZNAM SOUČÁSTEK

1 Kompenzátor *	30 Závěr	59 Přerušovač
2 Matice hlavně	31 Pružina blokace	60 Čep pojistky
3 Hlaveň *	32 Blokace	61 Kolík čepu pojistky
4 Západka kompenzátoru	33 Úderník	62 Kolík hmatníku spouště
5 Izolační kroužek	34 Vodicí trn	63 Vložka spouště
6 Předpažbí	35 Vratná pružina	64 Pružina západky kladívka
7 Kolík předpažbí	36 Nárazník	65 ---
8 Poutko přední (2x)	37 Podložka vratné pružiny	66 Muška
9 Pouzdro	38 Kolík záchyty zásobníku	67 Hledí
10 Táhllo a hmatník	39 Záchyty zásobníku	68 Pružina spouště
11 Šroub pouzdra krátký (4x)	40 Pružina záchyty zásobníku	69 Pružina západky opěry
12 Šroub pouzdra dlouhý (2x)	41 Rozborný čep	70 Tubus opěry
13 Šroub pouzdra střední	42 Pouzdro spouštědla	71 Západka opěry
14 Šroub pažbičky	43 Pružina střelecké pohotovosti	72 Kolík kloubu
15 Ovladač pravý	44 Střelecká pohotovost	73 Kolík polohovače
16 Dno zásobníku	45 Čep vyhazovače	74 Kolík opěry
17 Západka dna zásobníku	46 Vyhazovač	75 Ramenní opěra
18 Podavač	47 Spoušťový kontejner	76 Polohovač ramenní opěry
19 Plášť zásobníku	48 Šroub kontejneru	77 Pružina polohovače
20 Pružina zásobníku	49 Šroub ovladače (2x)	78 Kolík západky opěry
21 Pružina úderníku	50 Pružina bicího mechanismu	79 ---
22 Kloub	51 Ovladač levý	80 Pružina demontážního tlačítka
23 Pažbička	52 Čep kladiva	81 Demontážní tlačítka
24 Kolík uzávěru (2x)	53 Kladivo	
25 Přední uzávěr trnu	54 Čep spouště	
26 Čep vyťahovače	55 Páka blokace	
27 Vytahovač	56 Spoušť	
28 Pružina vyťahovače	57 Hmatník spouště	
29 Podložka pružiny vyťahovače	58 Pružina kladiva	

\* Takto označené součástky jsou u jednotlivých provedení odlišné, případně u některých provedení zcela chybí.

## SEZNAM OBRÁZKŮ

1. Názvosloví hlavních dílů
2. Zasouvání ramenní opěry
3. Sklápění ramenní opěry
4. Vyjmutí zásobníku
5. Plnění zásobníku
6. Nabíjení zbraně
7. Pohled na zajištěnou zbraň
8. Stlačení záchyty závěru
9. Sejmutí ramenní opěry
10. Zachycení závěru v otevřené poloze
11. Zatláčení rozbořného čepu

Výrobce si ponechává právo provést změny, které považuje za nezbytné pro vylepšení svých modelů, nebo aby vyhověl požadavkům výrobní nebo obchodní povahy.

**Bevor Sie die Waffe benutzen, machen Sie sich bitte mit dieser Anleitung und besonders mit folgenden Sicherheitsbestimmungen vertraut.**

Durch falschen oder nachlässigen Umgang mit der Waffe kann es zu einem unbeabsichtigten Schuss kommen, der Verletzungen, Tod oder Sachschaden zur Folge haben kann. Die gleichen Folgen können eigenmächtige Änderungen an der Waffe, Korrosion oder der Gebrauch von nicht vorschriftsmäßiger bzw. beschädigter Munition haben. In diesen Fällen kann der Hersteller keine Verantwortung für die entstehenden Folgen übernehmen.

Bevor die Waffe zum Verkauf angeboten wurde, wurde sie vom Hersteller überprüft, sorgfältig durchgesehen und verpackt. Nachdem die Waffe das Herstellerwerk verlassen hat, kann die CZ den Umgang mit ihr nicht mehr kontrollieren. Überprüfen Sie deshalb beim Kauf der Waffe, dass sie weder geladen noch beschädigt ist.

Diese Bedienungsanleitung sollte der Waffe immer beigelegt sein. Dies gilt auch für den Fall, dass Sie die Waffe jemandem verleihen oder verkaufen.

## INHALTSVERZEICHNIS

SICHERHEITSBESTIMMUNGEN	43	Möglichkeiten der individuellen Anpassung	49
FACHAUSDRÜCKE UND		Herunternehmen der Schulterstütze	49
WAFFENBESCHREIBUNG	45	<b>PFLEGEANWEISUNGEN</b>	50
GEBRAUCHSANWEISUNGEN	46	Zerlegen zur Reinigung	50
Munition	46	Reinigung der Waffe	51
Aufrichten der Schulterstütze	46	Reinigung der Laufbohrung und der	
Abkippen der Schulterstütze	46	Patronenkammer	51
Herausnahme des Magazins	46	Reinigung der sonstigen Waffenteile	52
Füllen des Magazins	47	Reinigung der Kunststoffmagazine	52
Laden der Waffe	47	Konservierung	52
Einstellung des Schießmodus	47	Abfallentsorgung	52
Sicherung der Waffe	48	<b>BEHEBUNG VON FUNKTIONSTÖRUNGEN</b>	53
Nachladen während des Schießens	48	<b>VERZEICHNIS DER BESTANDTEILE</b>	54
Entladen der Waffe	48	<b>VERZEICHNIS DER ABBILDUNGEN</b>	55
Einstellung der Visiere	48		

**SICHERHEITSBESTIMMUNGEN**

Beachten Sie, zu Ihrer und anderer Personen Sicherheit, folgende Sicherheitsbestimmungen.

1. Gehen Sie stets mit Ihrer Waffe so um, als ob sie geladen wäre.
2. Zielen Sie mit Ihrer Waffe nie auf etwas, worauf Sie nicht zu schießen beabsichtigen.
3. Glauben Sie niemandem, dass die Waffe nicht geladen ist.
4. Bevor Sie die Waffe ablegen oder an eine andere Person übergeben, überzeugen Sie sich immer davon, dass sie nicht geladen ist.
5. Bewahren Sie die Waffe ungeladen und mit abgezogener Schlagvorrichtung auf.
6. Verwenden Sie die Waffe nie zu anderen Zwecken als zum Schießen.
7. Lassen Sie gespannte und geladene Waffe nie ohne Aufsicht.
8. Überzeugen Sie sich vor dem Laden der Waffe, das die Laufbohrung, Kammer und Verschluss sauber und hindernislos sind. Falls die Waffe durch das Schießen verschmutzt ist, ist sie zu reinigen.
9. Nicht mit der Waffe schießen, wenn Sie sich nicht sicher sind, was für Munition Sie benutzen. Keine nicht gekennzeichnete oder wiedergeladene Munition unbekannter Herkunft, Munition mit geplatzt, deformierter oder eingebeulter Hülse oder beschädigte Munition benutzen. Das Wiederladen ist eine spezialisierte Tätigkeit und falsch geladene Munition kann extrem gefährlich sein. Folge können schwere Beschädigung oder die Zerstörung der Waffe und ernste Verletzungen oder Tod des Schützen oder auch weiterer Personen sein. Benutzen Sie nur saubere, trockene, fabrikmäßig hergestellte Originalmunition von hoher Qualität, in einem guten Zustand, die dem Kaliber Ihrer Waffe entspricht.
10. Vermeiden Sie vor und während des Schießens Genuss von Alkohol und nehmen Sie keine Drogen ein.
11. Tragen Sie beim Schießen, wenn es die Umstände erlauben, Gehörschutz und Schutzbrille.
12. Wenn die Waffe geladen und gespannt ist, lassen Sie die Sicherung in der Lage gesichert bis zu dem Zeitpunkt, an dem Sie schussbereit sind. Zielen Sie beim Entsichern in eine sichere Richtung.
13. Blockieren Sie niemals die Auswurföffnung und achten Sie darauf, dass niemand in der Auswurfichtung der Patronenhülse steht.

14. Betätigen Sie nicht den Abzug und stecken Sie Ihre Finger nicht in den Abzugsbügel, wenn Sie nicht auf ein Ziel zielen und zum Schießen nicht bereit sind.
15. Bevor Sie den Abzug betätigen, kontrollieren Sie nochmals Ihr Ziel und den Raum hinter ihm. Das Geschoss kann durch Ihr Ziel hindurch oder auch an ihm vorbei und noch einige hundert Meter weiterfliegen.
16. Schießen Sie nie auf eine Wasseroberfläche oder auf eine harte Oberfläche, wie z.B. Stein.
17. Schießen Sie nicht, wenn sich in der Nähe ein Tier befindet, das nicht an diesen Lärm dressiert ist.
18. Wenn Sie die Waffe in den Händen halten, lassen Sie alle "groben Scherze" beiseite.
19. Beim Schussversagen: Im Fall eines Schussversagens halten Sie die Waffe weiter auf das Ziel oder in eine sichere Richtung gerichtet und warten Sie 30 Sekunden ab. Wenn es zu einer verzögerten Zündung gekommen ist, schießt die Patrone während 30 Sekunden ab. Falls der Schuss nicht eintritt, nehmen Sie die Patrone aus dem Lauf und kontrollieren Sie sie. Wenn der Abdruck des Zünders an der Patrone schwach oder kein ist, lassen Sie die Waffe von einem Fachmann vor dem weiteren Schießen überprüfen.
20. Nicht verschossene Munition aus der Waffe nehmen und sicher gemäß gesetzlicher Vorschriften lagern. Überzeugen Sie sich immer vor Reinigen, Lagern, oder Transportieren, dass Ihre Waffe nicht geladen ist.
21. Bewahren Sie Waffe und Munition in einem abgetrennten und verschlossenen Raum auf, außer Reichweite und Sicht von Kindern und Unbefugten. Munition immer vor Wärmequellen und offenem Feuer schützen.
22. Ändern Sie nie etwas an den Waffenbestandteilen. Sie können dadurch die richtige Funktion der Waffe oder deren Sicherheit in ernsthafter Weise beeinträchtigen.
23. Denken Sie daran, dass Korrosion, der Gebrauch von defekter Munition, das Aufprallen der Waffe auf eine harte Oberfläche oder anderweitiges "grobes Umgehen" eine Beschädigung herbeiführen kann, die auf den ersten Blick nicht erkennbar sein muss. Kommt es zu etwas Derartigem, lassen sie die Waffe von einem Fachmann überprüfen.

**FACHAUSDRÜCKE UND WAFFENBESCHREIBUNG**

Die in dieser Anleitung verwendeten Bezeichnungen der grundlegenden Waffenbestandteile sind in Abbildung 1 auf der Innenseite des Umschlages angeführt. Die Namen aller Bestandteile der Waffe sind im Kapitel *Verzeichnis der Bestandteile* angeführt.

CZ SCORPION EVO 3 S1 ist eine universelle, leichte Handwaffe für Einzelpersonen. Sie ermöglicht das Schießen mit einzelnen Schüssen. In der Grundauführung ist die Waffe mit umklappbarer Schulterstütze versehen, die das Schießen aus der Schulter ermöglicht. Man kann, wenn die Schulterstütze umgeklappt ist, aus freier Hand schießen. Das Schießen aus der Schulter ist bis 250 m und aus der Hand bis 50 m wirksam.

Zu der Waffe werden zweireihige Magazine aus Kunststoff mit zweireihiger Ausmündung mit Kapazität von 20 Patronen geliefert. Nach dem Abschießen der letzten Patrone aus dem Magazin bleibt der Verschluss am Verschlussfang aufgefangen. Es ist zur Demontage der Waffe zwecks Reinigung und Konservierung kein Demontagewerkzeug erforderlich. Es ist möglich, auf besondere Anforderung, zu der Waffe Zubehör zu liefern, wie es Dämpfer des Schussgeräusches, einige Leuchttypen einschließlich Schnellwechselhalter, Lasermarkierer, taktische Griffe, Kollimatoren oder vordere, die Hand vor Verbrennung schützende Stütze sind. Zu den charakteristischen Eigenschaften der Waffe gehören:

- gute Auswuchtung der Waffe, die schlagfertiges und einfaches Visieren gewährleistet
- leichte Montage des Zubehörs an der Aufnahmeschiene gemäß MIL-STD-1913
- leicht handhabbare und gut zugängliche Betätigung in beiderseitiger Ausführung
- leichte Demontage für Reinigung und laufende Wartung, die ohne Werkzeuge durchführbar ist
- hohe Treffgenauigkeit
- hohe Lebensdauer
- hohe Funktionsverlässlichkeit unter allen Bedingungen der Verwendung auch bei Verwendung der Munition von verschiedenen Herstellern
- Möglichkeit der individuellen Anpassung (verstellbarer Schaft, man kann den Spannhebel sowie von der rechten als auch der linken Seite anmontieren, längenmäßig regulierbarer Schaft mit der Möglichkeit des vollständigen Herunternehmens)
- die Laufmündung der Ausführung Carbine ist mit Gewinde für die Befestigung von Mündungsvorrichtungen versehen (Hubkompensator, Mündungsfeuerdämpfer, Mündungsschalldämpfer u. ä.)

## GEBRAUCHSANWEISUNGEN

### Munition

Immer Munition zulässiger Produktionsausführung, die die Normen für Munitionshersteller erfüllen und von der C.I.P. (Ständige Internationale Kommission für die Prüfung von Handfeuerwaffen), bzw. SAAMI (amerikanische Norm für Waffen und Munition) genehmigt sind. Der Gebrauch von anderen Patronen kann Waffenbeschädigungen oder Verletzungen des Schützen verursachen. Bei der Benutzung von Fabrikmunition mit Standardgeschwindigkeit ist die Benutzung der Waffen der Česká zbrojovka a.s. sicher. Kontrollieren Sie die Munition, die Sie benutzen wollen, damit Sie die Sicherheit haben, dass sie dem Kaliber Ihrer Waffe entspricht. Bei kommerziell produzierter Munition ist auf jeder Patrone das Kaliber klar auf dem Boden oder am Bodenrand gekennzeichnet.

**Bemerkung:** Patronen mit einer anderen Form als Ogivalform des Geschosses sind im Voraus funktionsmäßig zu überprüfen.

### Aufrichten der Schulterstütze

Fassen Sie die Waffe, drücken Sie sanft die Schulterstütze nach unten und kippen sie aus der seitlichen Lage nach hinten aus. Nach dem Aufrichten der Schulterstütze kommt es zum Einrasten des Drückers in die Nut und die Stütze wird gegen ungewolltes Abkippen fixiert. Man kann durch Anfassen am Stützteil und durch das Ziehen nach hinten die Schulterstütze hinausschieben und sie längenmäßig verstellen. Beim Hineinschieben und Herausschieben der Stütze muss der Positionierer der Schulterstütze heruntergedrückt werden (Abb. 2).

### Abkippen der Schulterstütze

Fassen Sie die Waffe fest mit einer Hand. Drücken Sie mit dem Daumen der zweiten Hand den geriffelten Teil des Stützenriegels herunter (Abb. 3) und kippen anschließend die Stütze auf die rechte Seite in der Schießrichtung bis zur Grenzstellung, in der es zu ihrer Verriegelung kommt.

### Herausnahme des Magazins

Fassen Sie die Waffe mit einer Hand am Griff und mit der zweiten Hand das Magazin. Drücken Sie mit dem Daumen den Magazinfang (Abb. 4) und nehmen durch gleichzeitigen Zug nach unten das Magazin heraus. Schnelle Art und Weise der Herausnahme des Magazins ist das direkte Eindrücken des Magazinfanges mit dem Finger der schießenden Hand.

**Füllen des Magazins**

Nehmen Sie das Magazin in die Hand mit der Ausmündung nach oben. Legen Sie die Patrone auf den Zu-bringer mit dem Boden zur hinteren Wand des Magazins und drücken sie nach unten, bis sie unter das Mundstück des Magazins einschnappt (Abb. 5). Bringen Sie weitere Patrone an der vorhergehenden an und schieben sie auf gleiche Art und Weise ein.

Sie können die Anzahl der Patronen in durchsichtigem Magazin aus Kunststoff während der gesamten Zeit seiner Füllung leicht verfolgen. Versuchen Sie jedoch nicht die Kapazität des Magazins zu überschreiten – dies könnte fehlerhafte Einbringung der ersten Patrone in das Patronenlager verursachen.

**Laden der Waffe**

**HALTEN SIE DIE WAFFE BEIM LADEN IMMER IN EINEN SICHEREN RAUM GEZIELT!**

Schieben Sie das volle Magazin in die Waffe und vergewissern sich, dass der Magazinfang verriegelt ist.

Entsichern Sie die Waffe durch Umstellung des Kombinationsschalters (Sicherung) in die das Schießen ermöglichende Stellung.

Fassen Sie die Waffe mit einer Hand am Griff und mit der zweiten Hand das Griffstück des an der linken (rechten) Vorderschaftseite angebrachten Anziehers. Spannen Sie den Verschluss nach hinten bis zum Anschlag und lassen ihn los (Abb. 6). Dabei wird der Hammer gespannt und in die Kammer wird eine Patrone eingeschoben. Nun ist die Waffe schussbereit. Falls Sie nicht beabsichtigen unmittelbar zu schießen, sichern Sie die Waffe auf die im Teil *Sicherung der Waffe* beschriebene Art und Weise.

**Einstellung des Schießmodus**

Man kann nach der Umstellung des Kombinationsschalters (Sicherung) in die Stellung "I" mit einzelnen Schüssen schießen. Es kommt nach der Betätigung des Abzugs zum Abschluss einer Patrone. Nach Loslassen des Abzugs und seiner nochmaligen Betätigung kommt es zum weiteren Abschluss.



**Sicherung der Waffe**

Stellen Sie den Kombinationsschalter (Sicherung) in die mit "0" gekennzeichnete Stellung um. Damit blockieren Sie den Abzugsmechanismus, sodass es nicht möglich ist, den Abzug zu drücken (Abb. 7).

**Nachladen während des Schießens**

Nach dem Abschuss der letzten Patrone bleibt der Verschluss in der hinteren Stellung (die Waffe ist schießbereit). Nehmen Sie das leere Magazin heraus und schieben gefülltes hinein. Spannen Sie den Verschluss ein bisschen nach hinten und lassen ihn los oder drücken den Verschlussfang herunter (Abb. 8). Die Waffe ist wieder geladen und zum Schießen bereit.

**Entladen der Waffe**

ZIELEN SIE IN EINEN SICHEREN RAUM!

- nehmen Sie das Magazin heraus
- entsichern Sie die Waffe durch Umstellung des Kombinationsschalters (Sicherung) in die das Schießen ermöglichende Stellung
- spannen Sie den Verschluss in die hintere Stellung und überzeugen sich, dass das Patronenlager leer ist (es ist möglich durch Schwenken des Anziehers nach oben den gespannten Verschluss in der hinteren Stellung zu fixieren und so die Durchführung der Kontrolle des Patronenlagers durch weitere Person zu ermöglichen)
- lassen Sie den Verschluss nach vorne los
- betätigen Sie den Abzug (Sicherheitsschuss)

**Einstellung der Visiere**

Die Waffe wurde im Herstellerbetrieb auf eine Entfernung von 25 m so eingeschossen, dass der Mittelpunkt des Treffers mit dem Zielpunkt annähernd übereinstimmt. Man kann die eventuelle Trefferkorrektur durch seitliche oder höhenmäßige Einstellung des Visiers durchführen.

### **Möglichkeiten der individuellen Anpassung**

Die Stellung der Griffschale, die die Entfernung zwischen der Hand und dem Abzug bestimmt, kann leicht an konkrete Bedürfnisse des Anwenders angepasst werden. Man kann die Griffschale horizontal nach dem Lösen der Schraube der Griffschale verschieben. Es ist nach der Verstellung der Griffschale erforderlich, ihre Stellung durch Nachziehen der Schraube sicherzustellen.

Das Griffstück des Anziehers des Verschlusses kann von der rechten oder linken Seite anmontiert sein. Diese Änderung wird durch vollständiges Ausschieben und durch Drehung der Zugstange des Verschlusses durchgeführt, mit dem das Griffstück fest verbunden ist. Es ist vor der vollständigen Lösung der Zugstange erforderlich, den Stift des Vorderschafts herauszunehmen und durch seine Öffnung auf die Feder der Zugstange zu drücken, die sie gegen ihr Herausfallen absichert.

### **Herunternehmen der Schulterstütze**

Es ist im Bedarfsfall möglich, die Schulterstütze ganz abzunehmen. Bringen Sie die Schulterstütze vor dem Herunternehmen in teilweise umgeklappte Stellung und stützen die Waffe mit dem Kompensator an der Unterlage ab. Drücken Sie mit Finger einer Hand den Demontagedrucker ein, drücken mit der Handfläche der zweiten Hand auf die untere Fläche des Gelenkes der Schulterstütze und schieben sie nachfolgend aus den Nuten nach oben heraus (Abb. 9).

Drücken Sie bei der Rückwärtsmontage der Stütze zuerst den Demontagedrucker und schieben danach die Grundfläche der Schulterstütze in die Nuten in hinterem Teil des Gehäuses von oben nach unten ein. Es kommt nach dem Andrücken in die untere Endstellung zum hörbaren Einschnappen des Druckers in die Öffnung, wodurch die ganze Stütze fixiert wird.

#### **Bemerkung:**

Das schwierigere Herunternehmen des Schaftes ist aus Gründen der Abgrenzung des Gelenkspiels eingestellt, zwecks besseren Schießkomforts des Benutzers. Es ist vor der Rückwärtsmontage der Stütze geeignet, die Flächen des Gehäuses zwecks Herabsetzung des Reibungswiderstandes mit Konservierungsmittel (z.B. mit Graphit-Vaseline) zu schmieren. Verwenden Sie immer ausschließlich für Kunststoffe bestimmte Mittel!

**PFLEGEANWEISUNGEN****Zerlegen zur Reinigung**

1. ZIELEN SIE IN EINEN SICHEREN RAUM!
2. Nehmen Sie das Magazin heraus.
3. Richten Sie die Schulterstütze auf.
4. Entsichern Sie die Waffe durch Umstellung des Kombinationsschalters (Sicherung) in die das Schießen ermöglichende Stellung.
5. Verschieben Sie den Verschluss mit Hilfe des Anziehers in die hintere Stellung und fixieren ihn anschließend durch Abkippen des Anziehers nach oben (Abb. 10). Der Verschluss bleibt so sicher in der hinteren Stellung aufgefangen.
6. Fassen Sie die Waffe fest mit einer Hand am Griffstück. Drücken Sie mit dem Daumen der zweiten Hand auf den vorderen Bereich des Gehäuses der Abzugsvorrichtung und drücken nachfolgend auf das hervortretende Ende des Zerlegestiftes (Abb. 11). Schieben Sie dann den Zerlegestift durch Einziehen von der entgegengesetzten Seite aus bis zum Anschlag heraus. Fassen Sie das Gehäuse der Abzugsvorrichtung an der Stelle des Magazinschachtes, nehmen das Gehäuse durch leichtes Einziehen nach hinten und dann nach unten aus der Waffe heraus.
7. Verschieben Sie mit dem Daumen den Verschluss mäßig nach hinten und kippen nachfolgend den Verschluss nach unten aus. Es ist danach möglich, den Verschluss auch mit der Rückholfeder voll-ständig aus der Waffe herauszunehmen.

Insoweit genügt die durchgeführte Zerlegung für eine laufende Waffenpflege. Achten Sie bei der Demontage der Waffe darauf, dass keine Bestandteile oder Federn herausgeschleudert werden, verloren gehen oder dass sie keine Verletzung verursachen.

**HINWEIS:**

Demontieren Sie keine weiteren Waffenteile. Wenn Sie der Meinung sind, dass die Waffe nachzustellen oder zu reparieren ist, vertrauen Sie sie in Hände einer Fachwerkstatt an!

**Reinigung der Waffe**

Die Waffe ist zu reinigen:

- nach jedem Gebrauch
- immer wenn die Waffe feucht wird
- möglichst bald nach dem Schießen
- unter milden klimatischen Bedingungen mindestens einmal pro Jahr
- unter rauen klimatischen Bedingungen mindestens einmal pro Monat

**Reinigung der Laufbohrung und der Patronenkammer**

Wenn aus der Waffe nicht geschossen wurde, oder nur wenige Patronen abgefeuert wurden, genügt für die Reinigung der Laufbohrung und der Patronenkammer ein trockenes, am Putzstock befestigtes Läppchen. Die Läppchen sind so lange zu wechseln, bis das letzte Stück sauber ist.

Falls die Bohrung stark verschmutzt ist, tragen Sie mit der Bürste in sie und in die Kammer die Reinigungslösung auf und lassen Sie die Lösung ca. 10 Minuten einwirken (die Einwirkungszeit kann sich bei Verwendung verschiedener Reinigungsmittel unterscheiden). Putzen Sie dann die Laufbohrung und Kammer mit einer Bürste gründlich aus. Trocknen Sie die Bohrung und Kammer mit sauberem Lappen aus und kontrollieren Sie, ob alle Verbrennungsrückstände beseitigt worden sind. Im Bedarfsfall ist das Vorgehen zu wiederholen.

Schieben Sie den Putzstock sowie die Bürste in den Lauf von der Kammer her ein, um die Laufmündung nicht zu beschädigen. Drücken Sie die Bürste durch den gesamten Lauf durch, bevor sie die Bewegungsrichtung ändern. Falls Sie die Bewegungsrichtung der Bürste im Lauf wechseln würden, könnte sich die Bürste im Lauf spreizen.

Bei der Ausführung CZ SCORPION EVO3 S2 MICRO ist der mitgelieferte Kratzer zur Reinigung der Laufmutter zu verwenden.

### **Reinigung der sonstigen Waffenteile**

Reinigen Sie die sonstigen Metallteile der Waffe mit einem trockenem Lappen, einer alten Zahnbürste, einer Messingbürste oder einem Holzschaber. Bei der Reinigung können Sie auch Konservierungsöl benutzen. Benutzen Sie jedoch niemals die für die Reinigung der Laufbohrung bestimmte Lösung! Diese kann in den Fugen zwischen Bestandteilen zurückbleiben und nach längerer Zeit eine Korrosion verursachen. Überzeugen Sie sich, dass Reste vom Läppchen oder Borsten von Bürste in keinem Waffenteil zurückgeblieben sind.

### **Reinigung der Kunststoffmagazine**

Bei stärkerer Verschmutzung der Magazine (bei Benutzung der Waffe unter schwierigen Witterungsbedingungen - Staub, Schlamm u.a.) oder bei Bedarf der Magazinpflege (nach langer Benutzung oder Lagerung ohne Reinigung) ist es ausreichend, die Kunststoffteile nach Auseinandernehmen des Magazins in einem Reinigungsmittel zu waschen, abzutrocknen und frei an der Luft nachtrocknen zu lassen. Vor dem erneuten Zusammenbau müssen die Teile nicht konserviert werden, auch das zusammengebaute Magazin nicht.

### **Konservierung**

Wenn Laufbohrung, Patronenlager und alle zugänglichen Bestandteile sauber und trocken sind, wischen Sie diese Teile mit einem in Konservierungsöl getränkten Lappen aus oder benutzen Sie ein Ölspray. Für die richtige Funktion der Waffe ist es notwendig, das Öl auf die Schmierstellen aufzutragen (siehe die Abbildung auf der inneren Umschlagseite). Wischen Sie das Restöl ab.

Wischen Sie die Bohrung vor dem Schießen immer trocken aus. Wenn Sie die Waffe bei sehr niedrigen Temperaturen benutzen, beseitigen Sie das Öl aus allen zugänglichen Teilen oder verwenden Sie speziell für diese Bedingungen bestimmte Schmiermittel.

Benutzen Sie dickflüssige Konservierungsmittel, wie z.B. Vaseline, nur für die langfristige Lagerung unter schlechten klimatischen Bedingungen. Vor Gebrauch der Waffe muss es von allen Waffenteilen gründlich beseitigt werden.

### **Abfallentsorgung**

Die Produkt- und Verpackungsmaterialien haben bei richtiger Benutzung keine negativen Auswirkungen auf die Gesundheit des Menschen oder auf die Umwelt. Im Bedarfsfall der Entsorgung des Produktes oder dessen Verpackung gilt, dass Metallbestandteile (Stahl und Buntmetalle), Kunststoffe, Holz, Papier und Karton getrennt in den dafür bestimmten Sammelbehälter zu sammeln sind.

## BEHEBUNG VON FUNKTIONSSTÖRUNGEN

Bei einer richtigen Handhabung und Instandhaltung ist die Wahrscheinlichkeit einer Störung minimal. Sollte trotzdem diese Situation eintreten, so richten Sie sich nach folgenden Anweisungen.

**ACHTUNG** - Falls es beim Schießen zu einer Funktionsstörung kommt, so erhöht sich die Wahrscheinlichkeit eines unbeabsichtigten Schusses außerordentlich. Halten Sie daher beim Beheben der Störung konsequent die oben angeführten Sicherheitsbestimmungen ein. Zielen Sie ständig in eine sichere Richtung, richten Sie die Waffe nie gegen sich oder gegen andere Personen, kommen Sie mit den Händen nicht vor die Laufmündung!

Störung	Wahrscheinliche Ursache	Art der Behebung
Die Patrone wird nicht in die Kammer zugeführt oder der Verschluss schließt nicht ganz	Das Magazin ist nicht ausreichend eingeschoben oder ist beschädigt. Die Waffe oder die Patronen sind verunreinigt.	Schieben Sie das Magazin ordnungsgemäß ein oder verwenden Sie ein anderes. Reinigen Sie die Waffe und die Patronen, bis sie trocken sind, fetten Sie sie gegebenenfalls leicht ein.
Zündversager	Die verwendete Patrone ist defekt. Verunreinigte Öffnung für den Schlagbolzen oder ungeeignetes Schmiermittel bei niedriger Umgebungstemperatur.	Gehen Sie nach Punkt 19 der Sicherheitsbestimmungen vor. Übergeben Sie die Waffe zur Reinigung an einen Waffenmeister, verwenden Sie gegebenenfalls ein Schmiermittel für Niedrigtemperaturen.
"Schwacher Schuss"	Die Patrone wurde aktiviert, aber in der Patronenhülse war kein Pulver oder es war nasslich.	Entladen Sie die Waffe und überzeugen Sie sich, ob das Geschoß nicht im Lauf steckengeblieben ist. Ein eventueller weiterer Schuss könnte den Lauf ernsthaft beschädigen!
Kein Auswerfen	Verunreinigte Patronenkammer, Auszieher oder Patronen, gegebenenfalls Anwendung eines ungeeigneten Schmiermittels bei niedriger Umgebungstemperatur.	Reinigen Sie die Waffe, bis sie trocken ist, fetten Sie sie gegebenenfalls leicht mit geeignetem Schmiermittel ein. Verwenden Sie neue saubere Munition.
Beim Schießen bleibt der Verschluss in der hinteren Stellung stehen	Verunreinigung des Verschlusses, der Führungsleisten.	Reinigen Sie die Waffe trocken, schmieren sie eventuell leicht mit geeignetem Schmiermittel.

Falls die Störung auf keine oben angegebene Weise behoben werden kann, so vertrauen Sie die Waffe einer Fachwerkstätte zur Durchsicht und Reparatur an.

## VERZEICHNIS DER BESTANDTEILE

1 Kompensator *	30 Verschluss	59 Unterbrecher
2 Laufschaubemutter	31 Feder der Blockierung	60 Sicherungsbolzen
3 Lauf *	32 Blockierung	61 Sicherungsbolzenstift
4 Haltestück des Kompensators	33 Schlagbolzen	62 Stift des Abzugsgriffstücks
5 Isoliering	34 Führungsdorn	63 Abzugseinlage
6 Vorderschaft	35 Rückholfeder	64 Hammerklinkenfeder
7 Vorderschaftstift	36 Puffer	65 ---
8 Vorderschlaufe (2x)	37 Unterlagscheibe der Rückholfeder	66 Korn
9 Gehäuse	38 Stift des Magazininfanges	67 Visier
10 Zugstange und Taster	39 Magazinfang	68 Abzugsfeder
11 Gehäuseschraube kurz (4x)	40 Feder des Magazininfanges	69 Feder des Stützenschnäppers
12 Gehäuseschraube lang (2x)	41 Zerlegungszapfen	70 Stützentubus
13 Gehäuseschraube medial	42 Gehäuse der Abzugsvorrichtung	71 Stützenschnäpper
14 Griffschalenschraube	43 Schießbereitschaftsfeder	72 Gelenkstift
15 Kombinationsschalter rechts	44 Schießbereitschaft	73 Positionierstift
16 Boden des Magazins	45 Auswerferbolzen	74 Stützenstift
17 Sperrplatte des Magazinbodens	46 Auswerfer	75 Schulterstütze
18 Zubringer	47 Abzugsbehälter	76 Schulterstützenpositionierer
19 Magazinmantel	48 Abzugsbehälterschraube	77 Feder des Positionierers
20 Magazinfeder	49 Kombinationsschalterschraube (2x)	78 Stützenschnäpperstift
21 Feder des Schlagbolzens	50 Feder des Schlagmechanismus	79 ---
22 Gelenk	51 Kombinationsschalter links	80 Feder des Demontagedrückers
23 Griffschale	52 Hammerbolzen	81 Demontagedrucker
24 Verschlussstift (2x)	53 Hammer	
25 Vordere Verschlusskappe des Dorns	54 Abzugsbolzen	
26 Stift des Auszieher	55 Blockierungshebel	
27 Auszieher	56 Abzug	
28 Feder des Ausziehers	57 Abzugsgriffstück	
29 Federunterlage des Ausziehers	58 Hammerfeder	

\* Die so gekennzeichneten Teile sind bei den einzelnen Ausführungen verschieden beziehungsweise fehlen bei einigen Ausführungen ganz

**VERZEICHNIS DER ABBILDUNGEN**

1. Terminologie der Hauptteile
2. Einschieben der Schulterstütze
3. Abkippen der Schulterstütze
4. Herausnahme des Magazins
5. Füllen des Magazins
6. Laden der Waffe
7. Ansicht auf gesicherte Waffe
8. Herunterdrücken des Verschlussfanges
9. Herunternehmen der Schulterstütze
10. Verriegelung des Verschlusses in offener Stellung
11. Eindrücken des Zerlegungszapfens

Der Hersteller behält sich das Recht vor, Änderungen vorzunehmen, die er für unerlässlich zur Verbesserung seiner Modelle hält, oder um fertigungstechnischen oder geschäftlichen Anforderungen nachzukommen.



**Avant de commencer toute manipulation avec votre arme, veuillez prendre connaissance du présent mode d'emploi et surtout des consignes de sécurité.**

Toute manipulation imprudente ou incorrecte de l'arme peut provoquer un tir involontaire, ayant pour conséquence possible des blessures, la mort ou des dégâts matériels. Des modifications non autorisées, de la corrosion ou l'emploi de munitions non prescrites ou endommagées peuvent avoir les mêmes conséquences. Dans de tels cas, le fabricant ne pourra pas être porté responsable des dommages survenus.

Avant d'être expédiée dans le réseau de vente, cette arme a été testée, examinée avec précautions et emballée. La société CZ ne peut toutefois pas contrôler les manipulations survenues après que l'arme a quitté l'usine. C'est pour cette raison que nous vous recommandons de contrôler votre arme lors de l'achat et ce, pour voir si elle n'est pas chargée ou endommagée.

La présente brochure doit toujours accompagner l'arme, même si vous la prêtez à une tierce personne ou si vous la revendez.

**TABLE DES MATIÈRES**

CONSIGNES DE SÉCURITÉ	57	Possibilité d'adaptation individuelle	63
TERMINOLOGIE ET DESCRIPTION DE L'ARME	59	Retrait de la cale d'épaule	63
INSTRUCTIONS D'UTILISATION	60	INSTRUCTIONS D'ENTRETIEN	64
Munitions	60	Démontage pour nettoyage	64
Sortie de la cale d'épaule	60	Nettoyage de l'arme	65
Repli de la cale d'épaule	60	Nettoyage de l'âme du canon et de la	
Retrait du chargeur	60	chambre	65
Remplissage du chargeur	61	Nettoyage des autres parties de l'arme	65
Chargement de l'arme	61	Nettoyage des chargeurs en plastique	66
Réglage du mode de tir	61	Conservation	66
Verrouillage de l'arme	62	Traitement des déchets	66
Rechargement durant un tir	62	DÉFAUTS	67
Déchargement de l'arme	62	LISTE DES PIÈCES	68
Réglage des éléments de visée	62	LISTE DES FIGURES	69

**CONSIGNES DE SÉCURITÉ**

Respectez en tout temps les consignes de sécurité suivantes, pour votre propre sécurité et pour la sécurité des autres personnes.

1. Toujours manipuler l'arme comme si elle était chargée.
2. Ne pointer votre arme, chargée ou déchargée, que vers la cible désignée.
3. Ne jamais croire personne déclarant que l'arme n'est pas chargée.
4. Avant de ranger l'arme ou de la remettre à une autre personne, toujours s'assurer que l'arme n'est pas chargée.
5. Maintenir l'arme déchargée et le mécanisme de percussion désarmé.
6. Ne jamais utiliser l'arme pour des agissements autres que le tir.
7. Ne jamais laisser une arme chargée sans surveillance.
8. Avant de charger l'arme, s'assurer que l'intérieur du canon, la chambre et la culasse sont propres et libres. Nettoyer l'arme le plus tôt possible après le tir.
9. Ne jamais tirer avec l'arme si vous n'êtes pas certains des munitions que vous utilisez. Ne jamais utiliser de munitions qui ne seraient pas identifiées, qui auraient été manuellement chargées et dont vous ne connaissez pas l'origine. Ne pas utiliser de munitions lorsque les cartouches sont fissurées, déformées ou écrasées, ni de munitions montrant des traces de détérioration. La recharge est une opération spécialisée, devant être réalisée par un spécialiste et toute cartouche ayant été incorrectement (mal) rechargée peut devenir extrêmement dangereuse. Leur utilisation peut être synonyme de détérioration/destruction de votre arme et de blessures graves, voire même mortelles. Utiliser uniquement des munitions propres, sèches et originales, fabriquées en usine, en bon état et de calibre correspondant à votre arme.
10. Avant et pendant le tir, ne jamais consommer des boissons alcooliques ou des drogues.
11. Lors du tir, si les conditions le permettent, utiliser une protection de l'ouïe et des lunettes de tir.
12. Lorsque l'arme est chargée, laisser la sûreté engagée jusqu'à ce que vous soyez prêt à tirer. Lors du déverrouillage de la sûreté, tenir l'arme orientée vers un lieu sûr.

13. Ne jamais bloquer la fenêtre d'éjection et contrôler que personne ne se trouve dans la direction de la douille éjectée.
14. Ne jamais mettre le doigt sur la détente ou dans le pontet si vous ne visez pas la cible ou si vous n'êtes pas prêt à tirer.
15. Avant d'appuyer sur la détente, contrôler encore une fois la cible et l'espace situé derrière la cible. La balle peut en effet traverser la cible ou la manquer et porter à plusieurs centaines de mètres.
16. Ne jamais tirer sur la surface de l'eau ni sur une surface dure, par exemple de la pierre.
17. Ne jamais utiliser l'arme à proximité d'animaux qui ne sont pas habitués à ce bruit.
18. Ne jamais se permettre de faire des « blagues » en tenant l'arme en mains.
19. Raté lors du tir: Lors d'un raté, attendre 30 secondes en dirigeant l'arme en direction de la cible ou vers un lieu sûr. Si l'amorçage est retardé, la cartouche doit tirer dans les trente secondes. Si le tir n'a pas lieu, enlever la cartouche du canon et la contrôler. Si la trace du percuteur est faible ou absente, remettre l'arme à un armurier qualifié pour qu'il la contrôle et ce, avant de procéder au prochain tir.
20. Avant de nettoyer, de ranger ou de transporter l'arme, toujours s'assurer qu'elle n'est pas chargée. Retirer de l'arme toutes les cartouches n'ayant pas été tirées et les ranger ensuite conformément à la législation en vigueur.
21. Ranger l'arme et les munitions dans des lieux séparés, fermés à clef et hors de portée des enfants et des personnes non-autorisées. Toujours protéger les munitions contre les sources de chaleur et les flammes vives.
22. Ne jamais modifier aucune pièce de l'arme. Ceci pourrait en effet influencer son bon fonctionnement ou sa sécurité.
23. Toujours avoir en mémoire que la corrosion, l'utilisation de munitions endommagées, la chute de l'arme sur une surface dure ou toute autre manipulation rude peut être à la source d'endommagements qui ne sont pas forcément visibles à première vue. Si une telle situation devait apparaître, faire contrôler l'arme par un spécialiste.

## TERMINOLOGIE ET DESCRIPTION DE L'ARME

Les appellations des parties essentielles de l'arme sont reprises sur la figure 1 située sur la face intérieure de la couverture. La liste des pièces est reprise intégralement dans le chapitre « *Liste des pièces* ».

L'arme CZ SCORPION EVO 3 S1 est une arme de poing universelle et légère. Elle vous permet de tirer au coup par coup. Dans son modèle de base, cette arme est équipée d'une cale d'épaule réversible, permettant de tirer à l'épaule. Si la cale d'épaule est repliée, il est possible de procéder à un tir de main. L'efficacité du tir d'épaule est de 250 m et celle du tir de main est de 50 m.

L'arme est fournie avec des doubles chargeurs à double sortie, d'une capacité de 20 cartouches. Une fois que vous aurez tiré la dernière cartouche du chargeur, la culasse restera bloquée dans l'arrêtoire de la culasse. Aucun outillage spécifique n'est nécessaire pour démonter l'arme en vue de la nettoyer ou de procéder à sa conservation. Sur demande spécifique, il est possible de fournir cette arme avec des accessoires tels qu'un silencieux, différents types de lampes munies de support à fixation rapide, des marqueurs lasers, des poignées tactiques, des colimateurs ou une protection avant protégeant la main contre les brûlures dues au canon. Parmi les propriétés caractéristiques de l'arme, on trouvera:

- une bonne balance de l'arme garantissant une visée rapide et facile
- un montage facile des accessoires sur les supports de fixation selon MIL-STD-1913
- des commandes faciles à manipuler et faciles d'accès sur les modèles bilatéraux
- un démontage facile et sans aucun outillage pour le nettoyage et la conservation
- une haute précision de tir
- une longue durée de vie
- une fiabilité élevée dans toutes les conditions d'utilisation et lors de l'utilisation de munitions de différents fabricants
- une possibilité d'adaptation individuelle (crosse réglable, tendeur pouvant être monté du côté droit ou du côté gauche, crosse à longueur réglable avec possibilité de retrait total)
- sur le modèle Carbine, la bouche du canon est équipée d'un filet permettant d'y fixer les accessoires du canon (compensateur de course, silencieux, anti-retour de flamme, etc.).

## INSTRUCTIONS D'UTILISATION

### Munitions

Toujours utiliser des munitions dont la production est autorisée, qui satisfont aux normes en vigueur en termes de munitions et qui ont été approuvées par l'organisation CIP (Commission internationale permanente pour les épreuves d'armes et munitions) ou SAAMI (Standard américaine pour les armes et munitions). L'utilisation d'autres munitions peut être source de dommages à l'arme ou de blessures pour le tireur. Si vous utilisez des munitions d'usine ayant une vitesse standard, l'utilisation des armes de la société Česká zbrojovka a.s. est sûre. Toujours vérifier les munitions que vous envisagez d'utiliser, ceci afin d'être certains qu'elles correspondent au calibre de votre arme. Sur toutes les cartouches fabriquées dans un but commercial, le calibre sera clairement indiqué sur le fond de la cartouche, éventuellement autour du fond de la cartouche.

Remarque: Vérifier fonctionnellement les munitions dont la forme du tir n'est pas ogivale.

### Sortie de la cale d'épaule

Prendre l'arme, exercer une légère pression de haut en bas sur la cale d'épaule et la faire sortir de sa position latérale en la tirant vers l'arrière. Une fois que la cale d'épaule est sortie, le bouton se clipse dans la rainure et la cale est ainsi fixée contre tout repli involontaire. En tenant la partie d'appui et en la tirant vers l'arrière, il sera possible de prolonger la cale d'épaule et d'en régler la longueur. Lors du repli et du déploiement de la cale, il est nécessaire d'appuyer sur le positionneur de la cale d'épaule (fig. 2).

### Repli de la cale d'épaule

Prendre l'arme dans une main. Avec le pouce de la seconde main, appuyer sur la partie rainurée de la goupille de la cale (fig. 3) et faire ensuite basculer la cale sur la droite dans la direction du tir et ce, jusqu'à ce qu'elle arrive en fin de course et se bloque.

### Retrait du chargeur

Prendre l'arme dans vos mains en tenant la poignée d'une main et le chargeur de l'autre. Appuyer sur l'arrière du chargeur avec le pouce (fig. 4) et tirer simultanément le chargeur vers le bas pour le retirer. Appuyer directement sur l'arrière du chargeur avec un des doigts de la main qui tire est une manière plus rapide de retirer le chargeur.

### Remplissage du chargeur

Prendre le chargeur en mains, sortie vers le haut. Placer une cartouche sur l'élévateur, fond dirigé vers la paroi arrière du chargeur, et la pousser vers le bas jusqu'à ce qu'elle se bloque sous le cône du chargeur (fig. 5). Placer une nouvelle cartouche sur la précédente et la mettre en place de la même manière que décrit ci-avant.

Grâce à un chargeur en plastique transparent, vous pourrez facilement suivre le nombre de cartouches tout au long du chargement. Ne jamais essayer de dépasser la capacité du chargeur - cela pourrait entraîner une mauvaise élévation de la première cartouche vers la chambre.

### Chargement de l'arme

LORS DE L'OPÉRATION DE CHARGEMENT, TOUJOURS VEILLER À DIRIGER L'ARME VERS UN ENDROIT OÙ RIEN NI PERSONNE N'EST MIS EN DANGER!

Placer un chargeur plein dans l'arme et vérifier qu'il est fixé par l'arrêtoire du chargeur.

Déverrouiller l'arme en déplaçant la commande (sécurité) vers la position permettant le tir.

Prendre l'arme dans vos mains en tenant la poignée d'une main et la touche du tendeur situé sur le côté gauche (droit) de la pompe de l'autre. Tirer la culasse vers l'arrière jusqu'à ce qu'elle arrive en butée et la relâcher (fig. 6). Cette opération vous permet de tendre le martelet et une cartouche pénètre dans la chambre. L'arme est maintenant prête à tirer. Si vous ne comptez pas tirer dans les moments qui suivent, verrouiller l'arme en suivant les consignes indiquées dans la partie « *Verrouillage de l'arme* ».

### Réglage du mode de tir

Lorsque vous placez la commande (sécurité) en position « I », vous pourrez tirer au coup par coup. Cela signifie donc que lorsque vous appuyez sur la détente, une seule cartouche est tirée par l'arme. Pour tirer un nouveau coup, il est nécessaire de relâcher et d'appuyer une nouvelle fois sur la détente.

### **Verrouillage de l'arme**

Placer la commande (sécurité) en position « 0 ». Vous bloquez ainsi le mécanisme de la détente et il ne sera donc plus possible d'appuyer sur la détente (fig. 7).

### **Rechargement durant un tir**

Une fois que vous avez tiré la dernière cartouche, la culasse reste en position arrière (tir en stand-by). Retirer le chargeur vide et le remplacer par un plein. Tirer légèrement la culasse vers l'arrière et la relâcher ou appuyer sur l'arrêtoir de la culasse (fig. 8). L'arme est à nouveau chargée et prête à tirer.

### **Déchargement de l'arme**

**TOUJOURS VEILLER À DIRIGER L'ARME VERS UN ENDROIT OÙ RIEN NI PERSONNE N'EST MIS EN DANGER!**

- Retirer le chargeur
- Déverrouiller l'arme en plaçant la commande (sécurité) dans la position permettant le tir
- Tirer la culasse pour la mettre en position arrière et vérifier que la chambre à cartouches est bien vide (en faisant pivoter le tendeur vers le haut, il est possible de fixer la culasse tendue en position arrière et de faire vérifier la chambre des cartouches par une autre personne)
- Relâcher la culasse vers l'avant
- Appuyer sur la détente (coup de sécurité)

### **Réglage des éléments de visée**

En usine, l'arme a été réglée pour un tir à une distance de 25 m, de manière à ce que le point d'impact corresponde plus ou moins au point visé. Si vous souhaitez procéder à une éventuelle correction, il convient de modifier le réglage latéral ou le réglage de la hauteur de la hausse.

### **Possibilité d'adaptation individuelle**

La position de la crosse déterminant la distance entre la main et la détente peut être facilement adaptée aux besoins de l'utilisateur. Il est possible de déplacer horizontalement cette crosse après en avoir déserré la vis. Une fois que vous aurez réglé la crosse, il convient de ne pas oublier d'en bloquer la position en resserrant la vis.

La touche du tendeur de la culasse peut être montée sur le côté droit ou sur le côté gauche. Cette modification se réalise en sortant complètement la tige de la culasse qui est raccordée de manière fixe à la touche et en la faisant ensuite pivoter. Avant de libérer complètement la tige, il convient de retirer le plot de la pompe et, par le biais de l'orifice ainsi créé, de presser sur le ressort de la tige afin d'éviter son éjection.

### **Retrait de la cale d'épaule**

En cas de besoin, il est possible de retirer complètement la cale d'épaule. Avant de la retirer, placer la cale d'épaule en position partiellement repliée et appuyer l'arme par le compensateur contre un dessous. Appuyer sur le bouton de démontage à l'aide du doigt d'une main et à l'aide de la paume de l'autre main, appuyer sur le dessous de l'articulation de la cale d'épaule et ensuite, faites la sortir de ses rainures en la tirant vers le haut (fig. 9).

Lorsque vous souhaitez remettre la cale en place, appuyer tout d'abord sur le bouton de démontage et placer ensuite la base de la cale d'épaule dans les rainures qui se trouvent dans la partie arrière de la gaine par un mouvement du haut vers le bas. Une fois que vous aurez poussé la cale jusqu'à sa position de butée, à savoir jusqu'à ce que le bouton s'introduise de manière audible dans l'orifice qui lui est destiné, la cale sera alors fixée.

#### **Remarque:**

Cet enlèvement plus difficile de la crosse et réglé ainsi pour limiter des jeux de l'articulation et pour assurer un confort de tir plus élevé de l'utilisateur. Avant la remise en place de la cale d'épaule, il convient de graisser des surfaces de la gaine par un produit de conservation pour réduire des forces de frottement (par exemple par une vaseline de graphite). Appliquer chaque fois uniquement des produits prévus pour des matières plastiques!



**INSTRUCTIONS D'ENTRETIEN****Démontage pour nettoyage**

1. DIRIGER L'ARME VERS UN ENDROIT OÙ RIEN NI PERSONNE N'EST MIS EN DANGER!
2. Retirer le chargeur.
3. Sortir la cale d'épaule.
4. Déverrouiller l'arme en plaçant la commande (sécurité) dans la position permettant le tir.
5. Tirer la culasse pour la mettre en position arrière en vous aidant du tendeur et la fixer en faisant pivoter le tendeur vers le haut (fig. 10). La culasse restera ainsi bloquée en position arrière.
6. Prendre l'arme en main en la tenant par la poignée. Avec le pouce de la seconde main, appuyer sur la partie avant du fourreau de la détente et appuyer ensuite sur l'extrémité du plot de démontage qui dépasse (fig. 11). Faire ensuite sortir le plot en le tirant par le côté opposé et ce, jusqu'à ce qu'il soit en butée. Prendre ensuite le fourreau de la détente par la cheminée du chargeur, le tirer légèrement vers l'arrière et ensuite vers le bas pour faire sortir le fourreau de l'arme.
7. Avec le pouce de la main, déplacer légèrement la culasse vers l'arrière et la faire ensuite pivoter vers le bas. Il sera ensuite possible de retirer la culasse complète, avec son ressort de répulsion.

Ce démontage suffit pour l'entretien courant. Lors du démontage, faire en sorte qu'aucun ressort ne puisse être éjecté, perdu ou être à l'origine de blessures.

**REMARQUE:**

Ne démonter aucune autre partie de l'arme. Si vous avez l'impression que l'arme devrait être réglée ou réparée, confiez-la à un atelier spécialisé!

### Nettoyage de l'arme

Nettoyer l'arme:

- après chaque utilisation
- à chaque fois qu'elle a été exposée à l'humidité
- le plus tôt possible après le tir
- au moins une fois par an dans des conditions atmosphériques normales
- au moins une fois par mois dans des conditions atmosphériques sévères difficiles

### Nettoyage de l'âme du canon et de la chambre

Si l'arme n'a pas été utilisée ou si seulement quelques cartouches ont été tirées, frotter l'intérieur du canon et la chambre avec un chiffon sec placé sur la tige de nettoyage. Si l'intérieur du canon est fortement encrassé, imprégner l'intérieur du canon et la chambre avec du liquide de nettoyage et laisser agir pendant une dizaine de minutes (cette durée peut varier en fonction du type de produit utilisé) et nettoyer avec une brosse. Sécher l'intérieur du canon et la chambre avec un chiffon propre et vérifier que tous les résidus de combustion ont été enlevés. En cas de besoin, répéter l'opération. La tige de nettoyage et la brosse doivent être insérées à partir de la chambre pour ne pas endommager la bouche du canon. La brosse doit être passée sur toute la longueur du canon, sans changer de direction, pour éviter qu'elle ne se bloque dans les rainures.

Sur le modèle CZ SCORPION EVO3 S2 MICRO, utiliser le racloir joint pour nettoyer les écrous du canon.

### Nettoyage des autres parties de l'arme

En fonction des besoins, les autres parties métalliques de l'arme seront nettoyées avec un chiffon sec, une vieille brosse à dents, une brosse en laiton ou un grattoir en bois. Lors du nettoyage, il est possible d'utiliser de l'huile de conservation. Ne jamais employer la solution utilisée pour nettoyer l'intérieur du canon! Cette dernière pourrait en effet rester dans les fentes et y provoquer de la corrosion. S'assurer qu'aucune particule de produits de nettoyage n'est restée dans aucune partie de l'arme. Vérifier qu'aucun résidu de chiffon ou poil de brosse n'est resté dans les différentes parties de l'arme.

### **Nettoyage des chargeurs en plastique**

Lorsque les chargeurs sont fortement encrassés (par exemple lorsque l'arme a été utilisée dans des conditions climatiques difficiles - poussière, boue, etc.), éventuellement lorsqu'il est juste nécessaire de traiter les chargeurs (par exemple après une longue période d'utilisation ou de stockage sans nettoyage), il sera possible, après avoir démonté les chargeurs, de laver les pièces en plastique dans du détergent, de les sécher et de les laisser ensuite sécher à l'air libre. Avant de réassembler le chargeur, il ne sera pas nécessaire de conserver les différentes pièces. Il n'est également plus nécessaire de conserver les chargeurs qui sont déjà assemblés.

### **Conservation**

Après un nettoyage final avec un chiffon doux, l'âme du canon, la chambre des cartouches et toutes les parties accessibles de l'arme peuvent être frottées avec un chiffon doux imprégné d'huile de conservation; utiliser éventuellement un pulvérisateur à huile. Pour que l'arme fonctionne convenablement, il est indispensable d'appliquer de l'huile aux points de graissage (voir la représentation sur la face intérieure de la couverture). Enlever ensuite l'excédent d'huile.

Avant de tirer, essuyer l'âme du canon pour la sécher. Si l'arme doit être utilisée à basses températures, enlever l'huile de toutes les parties accessibles ou utiliser des lubrifiants spéciaux pour ces conditions climatiques. N'utiliser de la vaseline de conservation qu'en cas de stockage de longue durée dans des conditions climatiques difficiles; enlever cette vaseline avant toute nouvelle utilisation de l'arme.

### **Traitement des déchets**

Si les matériaux du produit et de l'emballage sont traités correctement, ils n'ont aucune incidence négative sur la santé humaine ni sur l'environnement. Lorsqu'il est nécessaire de liquider le produit ou son emballage, les parties métalliques (l'acier, les métaux non ferreux), les emballages plastiques, le papier et le carton doivent être déposés séparément dans des conteneurs destinés à cet effet.

## DÉFAUTS

Si vous procédez à un entretien régulier et que vous utilisez l'arme normalement, la probabilité d'apparition d'un défaut est minimale. Si toutefois une telle situation devait apparaître, il convient d'appliquer les instructions suivantes.

**AVERTISSEMENT!** En cas de problèmes en cours de tir, la probabilité d'un tir inattendu augmente fortement. C'est pour cette raison qu'il convient d'appliquer strictement les consignes de sécurité. Toujours garder l'arme dirigée vers un lieu où rien ni personne n'est mis en danger, ne jamais la diriger vers les personnes présentes, ne jamais placer la main devant la bouche du canon!

Défaut	Cause probable	Remède
La cartouche ne passe pas dans la chambre ou la culasse reste entrouverte	Le chargeur n'est pas suffisamment enfoncé dans son logement ou est endommagé. L'arme ou les cartouches sont fortement encrassées.	Engager le chargeur comme il faut ou utiliser un autre chargeur. Nettoyer l'arme et les cartouches à sec, graisser légèrement en cas de besoin.
Percussion ratée	La cartouche utilisée est défectueuse. L'orifice destiné au percuteur est bouché par des impuretés ou par de la graisse basses températures.	Appliquer le point 19 des consignes de sécurité. Remettre l'arme à un spécialiste pour qu'il la nettoie, utiliser éventuellement un lubrifiant basses températures.
« Coup » faible	La cartouche a été percutée, mais la douille ne contient pas de poudre.	Décharger l'arme et s'assurer que la balle n'est pas restée dans le canon. Un éventuel autre coup pourrait gravement endommager le canon!
Pas d'éjection	La chambre, l'extracteur ou la cartouche sont fortement encrassés, éventuellement bloqués par de la graisse basses températures.	Nettoyer l'arme à sec, graisser légèrement en cas de besoin. N'utiliser que des munitions neuves, propres.
Lors du tir, la culasse reste en position arrière	La culasse ou les barres de guidage sont encrassées.	Nettoyer l'arme à sec, graisser éventuellement l'arme avec un lubrifiant approprié.

Si aucun des procédés décrits ci-dessus ne permet d'éliminer le problème, veuillez confier votre arme à un atelier spécialisé.

LISTE DES PIÈCES

1 Compensateur *	31 Ressort de sûreté	61 Goujon du tenon de la sécurité
2 Écrou du canon	32 Sûreté	62 Goujon de la touche de la détente
3 Canon *	33 Percuteur	63 Guide de la détente
4 Cliquet du compensateur	34 Mandrin de guidage	64 Ressort du cliquet du martelet
5 Bague d'isolation	35 Ressort de répulsion	65 ---
6 Pompe	36 Butoir	66 Guidon
7 Plot de la pompe	37 Rondelle du ressort de rappel	67 Hausse
8 Anneau porte bretelle avant (2x)	38 Plot de l'arrêtoire du chargeur	68 Ressort de la détente
9 Boîte	39 Arrêtoire du chargeur	69 Ressort du cliquet de la cale
10 Tige et touche	40 Ressort de l'arrêtoire du chargeur	70 Tube de la cale
11 Vis de la boîte, courte (4x)	41 Plot de décomposition	71 Cliquet de la cale
12 Vis de la boîte, longue (2x)	42 Fourreau de la détente	72 Goujon de l'articulation
13 Vis de la boîte, moyenne	43 Ressort du tir en veille	73 Goujon du positionneur
14 Vis de la crosse	44 Tir en veille	74 Goujon de la cale
15 Commande droite	45 Tenon de l'éjecteur	75 Cale d'épaule
16 Fond du chargeur	46 Éjecteur	76 Positionneur de la cale d'épaule
17 Cliquet du fond du chargeur	47 Conteneur de la détente	77 Ressort du positionneur
18 Élévateur	48 Vis du conteneur	78 Goujon du cliquet de la cale
19 Enveloppe du chargeur	49 Vis de la commande (2x)	79 ---
20 Ressort du chargeur	50 Ressort du dispositif de percussion	80 Ressort de la touche de démontage
21 Ressort du percuteur	51 Commande gauche	81 Bouton de démontage
22 Articulation	52 Plot du martelet	
23 Crosse	53 Martelet	
24 Plot de l'obturateur (2x)	54 Tenon de la détente	
25 Obturateur du mandrin avant	55 Levier de blocage	
26 Pivot de l'extracteur	56 Détente	
27 Extracteur	57 Touche de la détente	
28 Ressort de l'extracteur	58 Ressort du martelet	
29 Rondelle du ressort de l'extracteur	59 Interrupteur	
30 Culasse mobile	60 Tenon de la sécurité	

\* Les pièces marquées de cette manière peuvent différer ou être totalement absentes en fonction des différents modèles.

**LISTE DES FIGURES**

1. Dénomination des principaux éléments
2. Mise en place de la cale d'épaule
3. Repli de la cale d'épaule
4. Retrait du chargeur
5. Remplissage du chargeur
6. Chargement de l'arme
7. Vue d'une arme verrouillée
8. Enfoncement de l'arretoire de la culasse
9. Retrait de la cale d'épaule
10. Fixation de la culasse en position ouverte
11. Enfoncement du plot de décomposition

Le fabricant se réserve le droit de réaliser des modifications nécessaires à l'amélioration de ses modèles ou répondant à des exigences de caractère technique ou commercial.

NOTES - NOTAS - POZNÁMKY - ANMERKUNGEN - NOTICES

.....

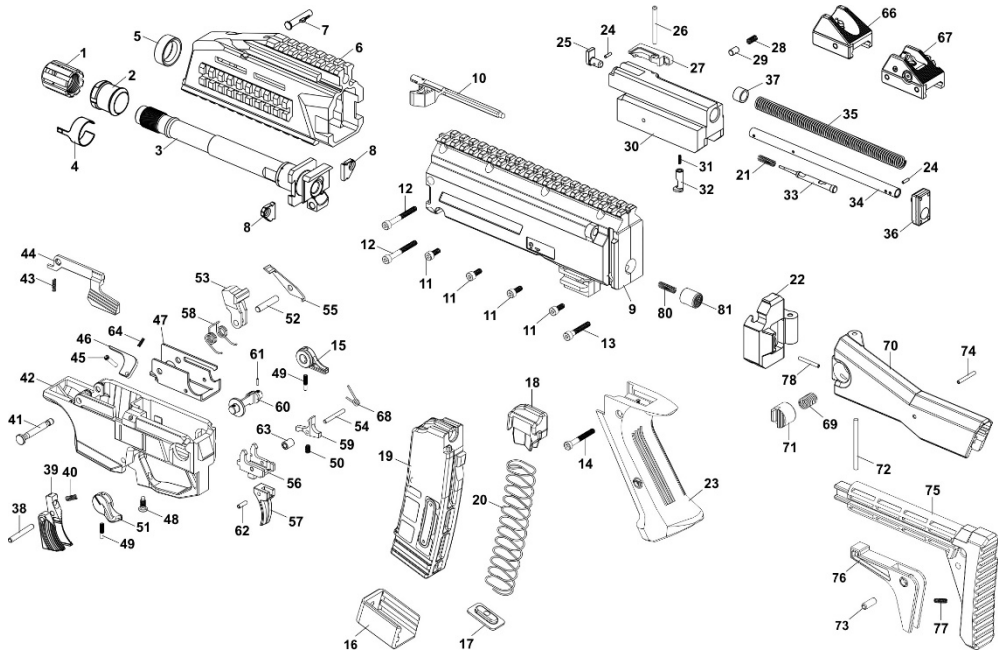
.....

.....

.....

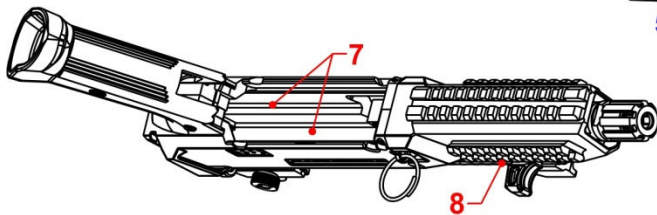
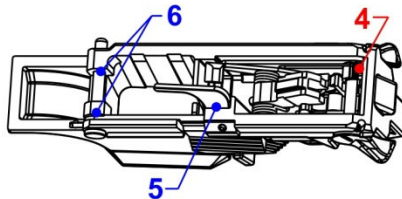
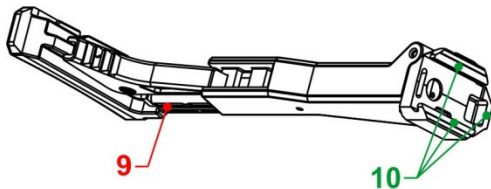
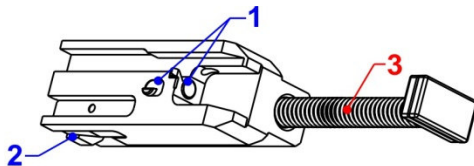
.....

.....





Lubrication surfaces  
Puntos de lubricación  
Mazací místa  
Schmierstellen  
Points de graissage



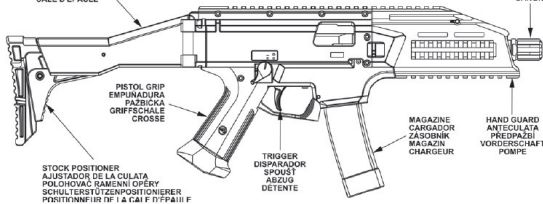
Brunox Spray

Ballistol Spray

Cinol G3

1

SHOULDER STOCK  
CULATA  
RAMENNI OPĚRA  
SCHULTERSTÜTZE  
CALE D'ÉPAULE



2



3



4



5



6



7



8



9



10



11

