



INSTRUCTION MANUAL  
MANUAL DE INSTRUCCIONES  
NÁVOD NA POUŽITÍ  
BEDIENUNGSANLEITUNG  
MODE D'EMPLOI

---

**CZ 452/453**

**Before handling the firearm read this manual carefully and observe the following safety instructions.**

Improper and careless handling of the firearm could result in unintentional discharge and could cause injury, death or damage to property. The same consequences can be caused by any unauthorized modifications or adjustments, corrosion, or use of non-standard or damaged ammunition. In these cases the manufacturer shall not be responsible in any manner whatsoever for the resultant consequences.

Before leaving the factory this firearm was tested, carefully inspected, and packed. CZ cannot accept responsibility for product handling while in transit, or upon leaving the factory. Therefore, please examine this firearm carefully at the time of purchase to ensure that it is unloaded and undamaged.

This instruction manual should always accompany the firearm and that even in the case of its loan or sale.

## CONTENTS

SAFETY INSTRUCTIONS	2	MAINTENANCE INSTRUCTIONS	10
THE RIMFIRE RIFLE DESCRIPTION AND TERMINOLOGY	4	Stripping for Cleaning - Disassembly	10
OPERATING INSTRUCTIONS	7	Disassembly of the Bolt	10
Ammunition	7	Cleaning of the Rifle	11
Removal of the Magazine	7	Cleaning the Barrel Bore and the Cartridge Chamber	11
Magazine Loading	7	Cleaning of Other Rifle Parts	12
Loading of the Rifle	7	Preserving	12
The Safety and its Operation	8	Waste Management	12
Unloading of the Rifle	8	LIST OF PARTS	13
Cocking Indicator Function	8	TROUBLESHOOTING, CAUSES AND REMEDIES	14
Set-trigger Operation	9	TECHNICAL SPECIFICATIONS	15
Trigger Adjustment	9	LIST OF ILLUSTRATIONS	16
Sight Adjustment	9		
Rifle Scope	10		

**SAFETY INSTRUCTIONS**

Always follow the safety instructions for your safety and the safety of others.

1. Always handle your firearm as if it were loaded.
2. Never point your firearm at anything you do not intend to shoot.
3. Never take anyone's word that a gun is unloaded.
4. Always make sure that your firearm is not loaded before laying it down, or handing it to another person.
5. Always store your rifle unloaded with the striking mechanism released.
6. Never abuse your firearm by using it for any purpose other than shooting.
7. Never leave a loaded firearm unattended.
8. Prior to loading the firearm make sure that barrel bore, chamber, and action are clean and clear of obstructions. Clean a dirtied firearm immediately so that it will function properly and safely.
9. Do not shoot the firearm, unless you are certain about the ammunition you are using. Do not use unmarked or hand-loaded ammunition from an unknown source, ammunition with a cracked, deformed or dented case or with a damaged bullet. Reloading is an expert activity and incorrectly reloaded ammunition may be extremely dangerous. It may result in heavy damage or destruction of the firearm and serious injury or death of the shooter or other persons. Always use clean and dry original high quality commercially manufactured ammunition, which corresponds to the caliber of the firearm.
10. Never drink alcohol or take drugs before and during shooting.
11. Whenever practical always wear safety glasses and ear protection while shooting.
12. Always keep the safety on when the firearm is loaded with a cartridge in the chamber, until you are ready to fire. Keep the firearm pointed in a safe direction when disengaging the safety.
13. Ensure that there is nobody interfering in the way of the ejected cartridge.

14. Never pull the trigger or put your finger within the trigger guard unless you are aiming at a target and ready to fire.
15. Always make absolutely sure of your target and the area behind it before pulling the trigger. The bullet can pass through or past the target up to several hundred meters.
16. Never shoot at a hard surface such as rock, or a liquid surface such as water.
17. Never fire near an animal unless it is trained to withstand the noise.
18. Never indulge in "horseplay" while holding the firearm.
19. Failure to fire: In case it fails to fire, hold the firearm keeping it pointed in a safe direction and wait 30 seconds. If a hangfire (slow ignition) has occurred, the cartridge will fire within 30 seconds. If the cartridge does not fire, eject the cartridge and examine it. If the firing pin indent on the cartridge is light, or non-existent, have the firearm examined by a competent gunsmith.
20. Always make sure your firearm is not loaded before cleaning, storing or travelling. Remove any unused ammunition from the firearm and store it in compliance with the law.
21. Always keep and store your firearm and ammunition in separate secure locations out of reach and sight of children and unauthorized persons. Always protect the ammunition from sources of heat and open fire.
22. Always keep and store your firearm and ammunition in separate locked receptacles out of reach and sight of children and untrained people.
23. Never alter any parts of your rifle as the safety and proper function of your rifle could be seriously compromised.
24. Always be aware that corrosion, use of damaged ammunition, dropping the rifle on hard surfaces or other "coarse treatment" could cause a damage you may not see. If something like this happens let the firearm to be examined and tested by a competent gunsmith.

## THE RIMFIRE RIFLE DESCRIPTION AND TERMINOLOGY

The names of basic rimfire rifle parts used in this Instruction Manual are presented in Fig. 1 on the inner side of the cover. Nomenclatures of all rifle parts are presented in the section *List of Parts*.

The rimfire rifles CZ 452 ZKM and CZ 453 are classic repeating arms of sturdy design. They are manufactured in several versions. Characteristic features of all versions are:

- The CZ 452 ZKM is well-balanced and consequently quick and easy to aim
- The tangent rear sights are adjustable to a wide range of shooting distances
- Easy mounting of rifle scope
- Controlling elements which are simple in operation, and easy to reach, manufactured also in left-handed version
- Adjustable trigger pull
- Cocking indicator indicates cocking of the striking mechanism
- Easy disassembly for cleaning and routine maintenance, which can be carried out without any tools
- A high degree of accuracy when firing
- A long service life
- High functional reliability in all environments, even with ammunitions made by various manufacturers, and with different types of bullets
- Threaded muzzle as option for Still or Parker Hale sound moderator attachment (available on special request only, territories with appropriate legislation only)
- The CZ 453 is equipped with a completely adjustable trigger mechanism including a set-trigger

# INSTRUCTION MANUAL

CZ 452	Caliber				Surface finish		Trigger with set-trigger	Description
	.22 LR	.22 WMR	.17 HMR	.17 HM2	Blued	Nickel		
Standard	✓	✓	✗	✗	✓	✗	✗	Beech wood stock
Lux	✓	✓	✗	✗	✓	✓	✗	Walnut stock, grip parts provided with checkering
Style	✓	✗	✓	✗	✗	✓	✗	Plastic stock, metal parts nickel and blued
Silhouette	✓	✗	✓	✗	✓	✗	✗	Plastic stock, design of this rimfire rifle meets the requirements of the IMSSA shooting regulations
FS	✓	✓	✓	✗	✓	✗	✗	Walnut full stock, grip parts provided with checkering
Scout	✓	✗	✗	✗	✓	✗	✗	Version intended for use by juvenile persons
American	✓	✓	✓	✓	✓	✓	✗	Design has been adapted to the requirements governing the USA and Australian markets - without fixed sights
Varmint	✓	✗	✓	✓	✓	✗	✗	Heavy barrel, stock is provided with a mass-reduced rubber buttplate - without fixed sights

# INSTRUCTION MANUAL

CZ 453	Caliber			Surface finish		Trigger with set-trigger	Description
	.22 LR	.17 HMR	.17 HM2	Blued	Nickeled		
American	✓	✓	✓	✓	✗	✓	Design has been adapted to the requirements governing the USA and Australian markets - without fixed sights
Varmint	✓	✓	✓	✓	✗	✓	Heavy barrel, stock is provided with a mass-reduced rubber buttplate - without fixed sights

## OPERATING INSTRUCTIONS

### Ammunition

Always use ammunition in an allowable production design which is in compliance with standards applicable for ammunition manufacturers and is approved by the CIP (Permanent International Commission for Firearms Testing) or SAAMI (Sporting Arms and Ammunition Manufacturers' Institute Inc. of the United States). The use of other cartridges could damage the firearm or cause injury to the shooter. When using factory-made ammunition with standard speed, the use of firearms produced by Česká zbrojovka a.s. is safe. Check the ammunition you are going to use to make sure that it corresponds to the caliber of your firearm. Commercially produced ammunition is clearly marked with the caliber on the bottom or around the bottom of each cartridge case.

### Removal of the Magazine

Press the magazine catch located at the front of the magazine in a rearward direction (Fig. 2), and remove the magazine (single-shot adapter) from the firearm.

### Magazine Loading

With the open end uppermost, grasp the magazine in one hand. Place a cartridge on the magazine follower with the base just forward of the retaining lips. Press the cartridge down and back until it touches the rear flat edge of the magazine. Place the next cartridge on top of the previous cartridge and slide in as already described.

### Loading of the Rifle

**ALWAYS MAKE SURE THE RIFLE IS POINTED IN A SAFE DIRECTION WHEN LOADING!**

Insert a loaded magazine into the rifle until it is securely caught by the magazine catch.

Grip the rifle with the left hand by its fore-end, place the buttplate against your body and grip the bolt handle with the other hand. Open the bolt by raising the bolt handle and pulling it to the rear to its stop. Then push the bolt continuously to its forward position again and by rotating the bolt handle in a downward direction close the bolt action. This procedure inserts the cartridge into the cartridge chamber and



cocks the striker mechanism. The rifle is now ready to fire. If you do not intend to fire immediately ensure the firearm safety as described further in the section *Safety and its Operation*.

When using a single-shot adapter, keep it inserted in the rifle, open the bolt and place the cartridge on the follower. Further proceed in the same manner as when employing the magazine. The single-shot adapter is intended for the highest accuracy levels of shooting as it protects the bullets against damage during the feeding of cartridges.

### **The Safety and its Operation**

Shift the safety forward to its "Safety-On" position (Fig. 3) until the red dot is fully covered. This procedure locks the trigger mechanism and the bolt, it is not possible to discharge a cartridge or manipulate the bolt.

### **Unloading of the Rifle**

**ALWAYS MAKE SURE THE RIFLE IS POINTED IN A SAFE DIRECTION!**

- Remove the magazine in the manner as already described
- Move the safety to its "Safety-Off" position in order that the bolt can be opened
- Open the bolt and check to ensure that the cartridge has been extracted from the chamber and ejected
- Close the bolt
- Depress the trigger (dry fire)

### **Cocking Indicator Function**

Cocking of the striking mechanism is indicated by the striker. When the striker is cocked (activated), its rear part protrudes. This protrusion can be checked both by sight and by touch.

### Set-trigger Operation

The set-trigger is activated by pushing it in the forward (Fig. 4). For the reason of safety, activate the set-trigger only after the rifle is loaded and shortly before shooting. Do not carry your rifle with an activated set-trigger! If you have activated the set-trigger and you do not follow through with firing, keep your firearm pointed in a safe direction while carefully engaging the safety and then squeeze the trigger. Subsequently unload the rifle in the manner described above.

### Trigger Adjustment

The trigger pull adjustment for the CZ 452 ZKM is carried out after removal of the stock using the adjusting nut (Fig. 5).

CZ 453 enables adjusting the trigger pull and the trigger travel length before and after discharge (Fig. 6). The adjustment can be performed after removing the stock using the set screws A (trigger pull), B (trigger travel before) and C (trigger travel after discharge).

If the rifle is equipped with a set-trigger, the adjustment of the set-trigger is carried out using the screw located in front of the trigger (Fig. 7). For safety reasons do not adjust the set-trigger travel too short, as the rifle with an activated set-trigger is very sensitive to shock, and during handling the rifle could unintentionally discharge. The safety of the set-trigger adjustment can be checked with the rifle unloaded by repeated opening and closing of the bolt combined with moving of the safety to its "ON" and "OFF" positions. The spontaneous release of the trigger must not occur.

Note: The set-trigger can be removed from the rifle without impairing the function or adjustment of the conventional trigger.

### Sight Adjustment

The CZ 452-2E ZKM rimfire rifle sights were sighted-in at the manufacturing plant at a 50 m distance. The tangent rear sight is provided with lines for 25 - 200 m aimed shooting in diversion steps of 25 m.

After depressing the rear sight-locking piece it is possible to shift the slide for the desired range. Windage adjustment is achieved after loosening the screw (Fig. 8) on the side you want to shift the point of impact and then tighten the screw on the opposite side. A full turn of the screw shifts the point of impact 5 cm (2 in.) at 50 m. Elevation correction is carried out by drifting the front sight in a dovetail. The front sight is secured in its place by a screw. The front side base is provided with auxiliary lines. Drifting the front sight by one line shifts the point of impact by 1.5 cm (.6 in.) at 50 m.

On the CZ 452 ZKM Scout version, windage correction is carried out by shifting the front sight in the transverse groove, and securing it in the desired position with an indentation punch. Elevation adjustment is carried out by shifting of the rear sight leaf slide (Fig. 9). Shifting the slide by one increment changes the point of impact by 1.25 cm (.5 in.) at 50 m.

CZ 453 is manufactured in a version without sights.

### **Rifle Scope**

Mounting of the riflescope and sighting-in of the rifle should be entrusted to a qualified gunsmith's workshop.

## **MAINTENANCE INSTRUCTIONS**

### **Stripping for Cleaning - Disassembly**

1. Remove the magazine.
2. Shift the safety to its "Off" position, in order that the bolt can be manipulated.
3. Open the bolt, and after depressing the trigger to its extreme rear remove the bolt by moving it rearward.

### **Disassembly of the Bolt**

1. Remove the bolt from the receiver as previously described.
2. Keeping the firm grip of the bolt body rotate the bolt handle to the right (in the same manner as if closing the bolt in the firearm). The main spring is thus released.
3. Place the striker spring support against a suitable solid object (Fig. 10) and push it a little way into the bolt body. At the same time pulling the safety up and out.
4. After detaching the safety, carefully release the bolt while holding the striker spring support. Be very careful when doing this disassembly procedure as the spring support is under main spring tension and its ejection could result in the loss of this part, or could cause an injury.

**CAUTION:**

Do not strip your firearm any further. If you assume that your firearm requires adjustment or repair, entrust this work to a competent gunsmith in a specialized workshop!

**Cleaning of the Rifle**

Clean the rifle

- Each time you use it
- If you get your rifle wet
- As soon as possible after shooting
- At least once a year in a temperate climate
- As often as once a month in a tropical climate, or other demanding environment

**Cleaning the Barrel Bore and the Cartridge Chamber**

If the firearm has not been fired or if only a few cartridges have been fired, clean the barrel bore and cartridge chamber with a clean patch attached to a cleaning rod. Repeat, changing patches, until the last patch comes out clean.

When the barrel bore is very dirty, apply a gun cleaning solution using a cleaning brush. Let the solvent act for about 10 minutes (this time may vary depending on the solvent agent being used). Then thoroughly scrub out the barrel bore. Subsequently, dry the barrel bore and cartridge chamber with a clean patch and check that all powder residues or fouling have been removed. If necessary repeat this procedure.

The cleaning rod and the brush must be inserted into the barrel bore from the chamber, to prevent wear or damage to the muzzle. Pass the brush all the way through the barrel bore before reversing the movement. If you try to change directions with the brush in the barrel, the brush could stick.

### **Cleaning of Other Rifle Parts**

Other parts of the rifle can be cleaned with a dry cloth, old toothbrush, copper bristle brush or a wooden scraper. Preserving oil or paraffin oil can be used for proper cleaning. Never use an agent designed for barrel bore cleaning. These solutions could remain in the joints, and after some time could cause corrosion. Check that cloth particles or brush bristles have not become lodged in any part of the rifle.

The maintenance of the stock can be carried out with a dry cloth or by some furniture-polishing product.

### **Preserving**

When the barrel bore, cartridge chamber, and all accessible parts are clean and dry, wipe these parts with a cloth soaked in gun oil or apply the oil in a spray. Remove all excess oil.

Before shooting always wipe the barrel bore dry. At very low temperatures remove the oil from all accessible parts or apply a lubricant prepared especially for these conditions.

Use thick preserving agents such as preserving grease only for long-term storage in demanding climate environments, and before any use of the rifle it must be thoroughly removed from all parts of the firearm.

### **Waste Management**

When used properly, the materials used in the product and packaging have no adverse effects on human health or the environment. When disposing of the product or its packaging, metal parts (steel and non-ferrous metals), plastics, wood, paper and cardboard should be stored separately in collecting containers intended specifically for that purpose.

## LIST OF PARTS

1 Barrel	26 Trigger	54 Trigger Guard	85 Trigger Spring
2 Front Sight	27 Trigger Rivet	55 Trigger Guard Plate	86 Trigger Pin
3 Front Sight Screw	28 Trigger Pin	56 Trigger Guard Screw (2x)	87 Retaining Ring (2x)
4 Front Sight Cover	29 Trigger Rod Pin	57 Rear Stock Screw	88 Set-trigger Lever Spring
5 Front Sight Base	30 Trigger Rod	58 Magazine Shell	89 Set-trigger Lever
6 Rear Sight Leaf	31 Trigger Rod Nut	59 Magazine Follower	90 Trigger Set Screw (B)
7 Rear Sight Leaf Spring	32 Trigger Spring Washer	60 Magazine Follower Spring	91 Nylon fishing-line (2x)
8 Rear Sight Blade	33 Trigger Pull Spring	61 Magazine Base	92 Pin
9 Rear Sight Windage Screw (2x)	34 Bolt Guide	62 Magazine Plunger	93 Trigger Pull Spring
10 Rear Sight Slide	35 Bolt	63 Magazine Plunger Spring	94 Trigger Support
11 Rear Sight Locking Piece	36 Extractor	64 Magazine Shell	95 Adjusting Screw, Trigger Pull (A)
12 Locking Piece Spring	37 Holder	65 Magazine Follower	96 Locking Nut
13 Rear Sight Base	38 Extractor Spring	66 Magazine Follower Spring	97 Locking Nut
14 Rear Sight Base Pin	39 Safety	67 Adapter Body	98 Adjusting Screw, Trigger Overtravel (C)
15 Receiver	40 Bolt Handle	72 Barrel	99 Trigger Lever
16 Magazine Housing	41 Striker	73 Front Sight	100 Adjusting Screw, Set- Trigger
17 Magazine Housing Front Screw	42 Striker Spring	74 Front Sight Cover	101 Fore End Band
18 Magazine Housing Rear Screw	43 Striker Spring Support	75 Rear Sight Leaf	102 Fore End Band Screw
19 Magazine Catch	44 Stock	76 Rear Sight Base	103 Fore End Band Nut
20 Magazine Catch Spring	45 Butt Plate	77 Rivet	104 Cylindrical Nut
21 Magazine Catch Pin	46 Butt Plate Screw (2x)	78 Slide	105 Magazine Shell
22 Sear	47 Front Stock Screw	79 Trigger Mechanism Support	106 Magazine Plunger
23 Sear Steel Ball	48 Front Escutcheon	80 Firing Pin Catch	107 Magazine Base
24 Sear Spring	49 Sling Swivel Assembly	81 Firing Pin Catch Stop	108 Magazine Follower Spring
25 Sear Pin	50 Sling Swivel Wood Screw	82 Stop Spring	109 Magazine Follower
	51 Sling Swivel	83 Support Front Screw	
	52 Sling Swivel Screw	84 Support Rest Screw	
	53 Elastic Spacer		

**TROUBLESHOOTING, CAUSES AND REMEDIES**

If your firearm is properly used and maintained, malfunctions will rarely occur. However, if such a situation does occur please observe the following instructions.

**CAUTION** - if a malfunction occurs, the possibility of an unintentional discharge is substantially increased. For this reason, when clearing malfunctions, observe previously mentioned Safety Instructions. Keep the rifle pointed in a safe direction, do not turn the rifle against your body or anyone else's. Do not place your hands in front of the barrel!

<b>Malfunction</b>	<b>Possible Cause</b>	<b>Remedy</b>
A cartridge has not been fed into the chamber.	Magazine is not fully inserted or is damaged. The rifle or cartridges are fouled (dirty).	Insert magazine properly or change magazine. Clean the rifle and cartridges and wipe them dry or as the case may be slightly lubricate.
Misfire.	Defective cartridge. Firing Pin hole fouled (dirty) or improper lubrication agent used during low temperature conditions.	Follow the Safety Instructions according to point 19. Disassemble and clean the firing pin or use low temperature lubricant.
A shot sounds "weak".	The cartridge has been activated but no powder load was inside the cartridge case.	Unload the rifle and check that the bullet is not lodged in the barrel. Any subsequent shot could cause damage to the barrel!
The spent case has not been ejected.	Cartridge chamber, extractor or ammunition dirty or unsuitable lubricant in low temperature environment.	Clean and wipe the rifle dry or eventually lubricate lightly with a suitable agent. Use clean and new ammunition.

If you cannot clear away any malfunction in the manner described above, entrust the rifle to a competent gunsmith for inspection and repair.

## TECHNICAL SPECIFICATIONS

Model	Standard, Lux	Style, Silhouette	FS	Scout	American	Varmint
Caliber	.22 LR .22 WMR	.22 LR .17 HMR	.22 LR .22 WMR .17 HMR	.22 LR	.22 LR .22 WMR .17 HMR .17HM2	.22 LR .17 HMR .17HM2
Overall Length [mm]	1083	1035	995	830	1020	998
Barrel Length [mm]	630	572	527	412	572	532
Sight Radius (Open Sights) [mm]	508	-	410	320	-	-
Weight (Empty Magazine) [kg]	3	2,7	2,9	1,8	2,8	3,2
Magazine Capacity [cartridges]	<b>.22 LR: 5/10/1 - .22 WMR: 5 - .17 HMR: 5 - .17 HM2: 5</b>					
Trigger Pull, Adjustment Range * [N]	14 - 18					
Trigger Pull with cocked Set-Trigger [N]	4 - 7					

\* The rimfire rifles in the Silhouette version have adjustable trigger pull weight between 11 and 14 N



**LIST OF ILLUSTRATIONS**

1. Terminology of basic parts
2. Magazine removal
3. Safety in released position (the arrow shows direction to put the safety into place)
4. Set-trigger activation
5. Trigger pull adjustment of CZ 452 ZKM
6. Trigger adjustment of CZ 453 (A - trigger pull, B - travel before discharge, C - travel after discharge)
7. Set-trigger adjusting screw
8. Rear sight leaf with slide, rear blade and rear sight side-adjusting screws
9. Close-up of rear sight - Scout version
10. Disassembly of the bolt

The Company, reserves the right to make any changes it thinks necessary to improve its models or to meet any requirements of manufacturing or commercial nature.

**Antes de manipular el arma, lea cuidadosamente este manual y observe especialmente las siguientes instrucciones de seguridad.**

Un manejo incorrecto y descuidado del arma podría producir un disparo no intencionado causando lesiones corporales, muerte o daños a la propiedad. Las mismas consecuencias pueden tener modificaciones no autorizadas, corrosión o uso de una munición no prescrita o averiada. El fabricante no se hará responsable por las consecuencias originadas en estos casos. Antes de abandonar la fábrica, el arma fue probada, revisada cuidadosamente y empaquetada. CZ no puede controlar la manipulación del producto una vez que el mismo abandone la fábrica. Por esta razón, al comprar este arma verifique que la misma esté descargada y sin averías.

Este Manual de Instrucciones deberá siempre acompañar el arma, incluso cuando la misma fuese prestada o vendida.

## CONTENIDO

INSTRUCCIONES DE SEGURIDAD	18	Mira óptica	26
TERMIN. Y DESCRIPCIÓN DEL RIFLE	20	INSTRUCCIONES DE MANTENIMIENTO	27
INSTRUCCIONES DE USO	23	Desmontaje del arma para la limpieza	27
Munición	23	Desmontaje de la cerradura	27
Extracción del cargador	23	Limpieza del arma	28
Cargar el cargador	23	Limpieza del ánima y la recámara	28
Cargar el rifle	23	Limpieza de otras partes del rifle	29
Seguro del rifle	24	Conservación	29
Descargar la carabina	24	Tratamiento de los residuos	29
Función del advertidor	24	ELIMINACIÓN DE FALLAS FUNCIONALES	30
Función del chinchete	25	LISTA DE COMPONENTES	31
Ajuste del disparador	25	DATOS TÉCNICOS	32
Ajuste de miras	26	LISTA DE ILUSTRACIONES	33

## INSTRUCCIONES DE SEGURIDAD

Mantenga siempre las instrucciones de seguridad; por su seguridad personal y la de los demás.

1. Manipule siempre con su arma como si estuviera cargada.
2. No apunte nunca a ningún objeto, si no tiene la intención de disparar.
3. No confíe a nadie que el arma esté descargada.
4. Antes de dejar de utilizar el arma o entregarla a otra persona, verifique siempre que esté descargada.
5. Almacene el arma descargada y con el mecanismo de percusión desmontado.
6. No utilice nunca el arma con otros fines que para disparar.
7. Nunca deje sin vigilancia un arma montada y cargada.
8. Antes de cargar el arma, asegúrese que el ánima del cañón, la recámara y la corredera estén limpios y sin obstrucciones. Limpie el arma después del disparo tan pronto sea posible.
9. No dispare del arma sin conocer la munición que está usando. No utilice una munición sin marcación, recargada manualmente; una munición con casquillo rajado, deformado o abollado, o una bala con signos de avería. La recarga es una actividad especializada y una munición recargada de forma incorrecta (con fallas) puede ser extremadamente peligrosa, con el eventual daño/destrucción grave del arma y lesiones de gravedad o la muerte del tirador y otras personas. Utilice siempre una munición limpia, seca y de fabricación original, de alta calidad y en un buen estado, correspondiente al calibre de su arma.
10. Nunca tome bebidas alcohólicas o utilice estupefacientes antes o durante el disparo.
11. En caso de ser posible, utilice protectores de oídos y gafas de tiro protectoras durante el tiro.
12. Si la carabina está cargada, mantenga el seguro en la posición de seguridad hasta el momento de estar preparado para el disparo. Al retirar el seguro apunte a un espacio seguro.
13. Impida que alguien se coloque en la dirección de la cartuchera expulsada.

14. No presionar el disparador y no introducir los dedos en el guardamonte del disparador, a no ser, que esté apuntando al blanco y preparado para disparar.
15. Antes de presionar el disparador, vuelva a controlar su objetivo y el espacio posterior del mismo. La bala puede atravesar el objetivo o desviarse fuera de este y pasar a una distancia de varios cientos de metros.
16. Nunca dispare a una superficie dura, como una piedra, o una superficie líquida como la del agua por ejemplo.
17. No dispare nunca cerca de un animal que no esté entrenado para este tipo de ruido.
18. Al manipular con el arma, evite todo tipo de "bromas".
19. Falla del disparo: En el caso de no producirse el disparo, mantenga el arma apuntando hacia el blanco de disparar o hacia un espacio seguro y espere treinta segundos. En el caso de producirse una ignición atrasada, el cartucho disparará en treinta segundos. Si no se produciría el disparo, retire el cartucho del cañón y revíselo. Si la huella del percutor en el cartucho es débil o falta, antes de realizar el siguiente disparo deje revisar el arma por un armero calificado.
20. Antes de limpiar, almacenar o transportar el arma, asegúrese siempre que su arma esté descargada. La munición no disparada retire del arma y guarde con seguridad en conformidad con los reglamentos legislativos.
21. Guarde la carabina y la munición siempre en un espacio separado y bajo llave, fuera de alcance y vista de los niños y personas no autorizadas. Proteja la munición siempre del contacto con fuentes de calor y el fuego abierto.
22. Guarde la carabina y la munición siempre en un espacio separado y bajo llave, fuera de alcance y vista de los niños y personas no autorizadas.
23. No haga arreglos de los componentes del arma, ya que así se podría afectar de una forma importante, la correcta función del arma y su seguridad.
24. Recuerde, que la corrosión, el uso de una munición averiada, caída del arma sobre una superficie dura o una manipulación inadecuada podría causar un daño, que no necesariamente esté percibido a primera vista. En caso que ocurra una situación similar, deje revisar la carabina por un especialista.

## TERMIN. Y DESCRIPCIÓN DEL RIFLE

La denominación de las partes principales del rifle, utilizada en este Manual está indicada en el gráfico No. 1 en la parte interior de la tapa del libro. La denominación de todos los componentes del arma está indicada en el capítulo *Lista de componentes*.

Los rifles CZ 452 ZKM y CZ 453 son armas clásicas de repetición de construcción robusta. Se fabrican en varias versiones. Entre los rasgos característicos de cada versión destacan:

- Buena alineación del arma garantiza un apuntaje rápido y fácil
- Alza plegable ajustable a un amplio alcance de las distancias del tiro
- Montaje fácil del telescopio de mira
- Manipuladores de manejo y acceso fácil, fabricados también en la versión para zurdos
- Mecanismo de disparo completamente ajustable
- Señalización de la tensión del mecanismo de percusión
- Desmontaje fácil para la limpieza y mantenimiento regular, posibles de realizar sin ningunas herramientas
- Alta precisión del tiro
- Alta vida útil
- Alta confiabilidad de funcionamiento en todas condiciones de uso y aún utilizando varios tipos de munición de varios productores con varios tipos de balas
- La posibilidad de la sujeción del silenciador Still o Parker Hale (solamente a pedido especial para países donde se permite legalmente su uso)
- La 453 viene equipada con un mecanismo de disparo completamente ajustable incluido el chinchete

## MANUAL DE INSTRUCCIONES

CZ 452	Calibre				Acabado de superficie		Disparador con chinchete	Descripción
	.22 LR	.22 WMR	.17 HMR	.17 HM2	pavonado	niquelado		
Standard	✓	✓	✗	✗	✓	✗	✗	Culata de madera de haya
Lux	✓	✓	✗	✗	✓	✓	✗	Culata de nogal, en las partes de sujeción con ranuras
Style	✓	✗	✓	✗	✗	✓	✗	Culata sintética, partes metálicas niqueladas y pavonadas
Silhouette	✓	✗	✓	✗	✓	✗	✗	Culata sintética, una versión del rifle que cumple con los requerimientos de reglas de tiro de IMSSA
FS	✓	✓	✓	✗	✓	✗	✗	Culata de caja larga de nogal, en las partes de sujeción con ranuras
Scout	✓	✗	✗	✗	✓	✗	✗	Una versión destinada para la juventud
American	✓	✓	✓	✓	✓	✓	✗	Presentación adecuada a los requerimientos del mercado de USA y Australia - sin miras fijas
Varmint	✓	✗	✓	✓	✓	✗	✗	Cañón pesado, culata con cantonera baja de caucho - sin miras fijas

**MANUAL DE INSTRUCCIONES**

CZ 453	Calibre			Acabado de superficie		Disparador con chinchete	Descripción
	.22 LR	.17 HMR	.17 HM2	pavonado	niquelado		
American	✓	✓	✓	✓	✗	✓	Presentación adecuada a los requerimientos del mercado de USA y Australia - sin miras fijas
Varmint	✓	✓	✓	✓	✗	✓	Cañón pesado, culata con cantonera baja de caucho - sin miras fijas

## INSTRUCCIONES DE USO

### Munición

Utilice siempre una munición de tipo de fabricación autorizada que cumple las normas establecidas para el productor de munición y es aprobada por la organización CIP (Organización internacional para pruebas de armas de fuego manuales y la munición) o SAAMI (una norma norteamericana para armas y munición). El uso de otro tipo de cartuchos podría causar daños en el arma y heridas al tirador. En caso de usar una munición de fabricación industrial con una velocidad estándar el uso de armas de Česká zbrojovka a.s. es seguro. Compruebe la munición que va a utilizar para tener la seguridad que la misma corresponde al calibre de su arma. La munición de fabricación comercial dispone de una demarcación clara del calibre en el fondo, eventualmente en la proximidad del fondo de casquillo.

### Extracción del cargador

Presione el trinquete del cargador colocado delante del cargador en la dirección para atrás (dib. 2) y retire el cargador (la inserción alimentadora) del arma.

### Cargar el cargador

Sujete el cargador con la boca para arriba. Coloque el cartucho con el extremo posterior sobre el aportador en el lugar de las cavidades en la boca del cargador y presiónelo para abajo y para atrás hasta que tope el lado posterior del cargador. El siguiente cartucho coloque encima del anterior e introduzca de la misma manera.

### Cargar el rifle

**AL CARGAR EL RIFLE APUNTE SIEMPRE HACIA UN ESPACIO SEGURO!**

Introduzca un cargador lleno en el arma y verifique si está sujetado con el retén del cargador.

Sujete el rifle con la mano izquierda por la parte delantera de la culata, apoyando la cantonera sobre el cuerpo y con la mano derecha sujete la palanca del cerrojo. Dando una pequeña vuelta con la palanca en la dirección para arriba y desplazándola para atrás hasta el tope, abrirá el cerrojo. Vuelva a desplazar con un movimiento continuo el cerrojo para adelante y ciérrelo dando una pequeña vuelta con la palanca



en la dirección para abajo. Durante este procedimiento entra el cartucho en la recámara y se monta el mecanismo de percusión. Ahora, el rifle está listo para disparar. Si no va a disparar de inmediato asegure el arma de una forma indicada más adelante en la parte *Seguro del rifle*.

En caso de utilizar una inserción alimentadora, manténgala introducida en el arma, abra la cerradura y coloque el cartucho sobre el aportador. A continuación prosiga de la misma manera como durante el uso del cargador. La inserción alimentadora está destinada para el tiro más preciso, ya que protege las balas de una avería durante la aportación de cartuchos.

### **Seguro del rifle**

Desplace el seguro en la dirección hacia arriba a la posición extrema (dib. 3), hasta que la marca roja se tape. De esta manera el mecanismo de disparo y la corredera se bloqueen, así que no es posible ni disparar ni movilizar la corredera.

### **Descargar la carabina**

APUNTE HACIA UN ESPACIO SEGURO!

- Retire el cargador de una manera descrita anteriormente
- Afloje el seguro para poder abrir el cerrojo
- Abra el cerrojo y verifique que el cartucho fue expulsado de la recámara y desechado
- Cierre el cerrojo
- Presione el disparador (disparo en seco)

### **Función del advertidor**

El percutor señala que el mecanismo de disparo está montado. Si el mismo se encuentra montado, su parte posterior sobresale a través del apoyo del resorte del percutor. La parte sobresaliente se puede percibir con la vista y al tocar.

**Función del chinchete**

Monte el chinchete presionando el disparador en la dirección para adelante (dib. 4). Por motivos de seguridad monte el chinchete solamente después de cargar el arma e inmediatamente antes del disparo. No cargue el arma con el chinchete montado! Si ha montado el chinchete y ya no hay el motivo para disparar, apunte a un lugar seguro, coloque el seguro a la posición de seguridad y presionando el disparador afloje el chinchete. Después descargue la carabina de la manera arriba descrita.

**Ajuste del disparador**

El ajuste de la resistencia del disparador en la CZ 452 ZKM se realiza después de retirar la culata mediante la tuerca de ajuste (dib. 5).

CZ 453 facilita ajustar la resistencia del disparo y el largo de la carrera del disparador antes y después del disparo (dib. 6). El ajuste se realiza después de retirar la culata mediante tornillos de ajuste A (la resistencia), B (la carrera para adelante) y C (la carrera después del disparo).

Si la carabina viene equipada con el chinchete, su ajuste se realiza mediante un tornillo colocado delante del disparador (dib. 7). Por motivos de seguridad no ajuste el chinchete para una carrera muy corta, ya que las sacudidas del arma durante la manipulación podrían causar un disparo no deseado. Verifique la seguridad del ajuste del chinchete con la carabina descargada abriendo y cerrando repetidamente la cerradura, combinando con la colocación del seguro en y fuera de la posición de seguridad. Durante esta operación no debe producirse un disparo espontáneo.

Nota: Es posible desmontar el chinchete del arma, sin que la función o el ajuste del propio disparador se alteren.

### Ajuste de miras

El alza plegable en el rifle CZ 452-2E ZKM viene provista de rayas graduadas en 25 m para la distancia del tiro de 25 hasta 200 m. El rifle fue ajustado disparando donde el productor a distancia de 50 m.

Después de presionar el pulsador ajuste desplazando la corredera la distancia del tiro requerida. Es posible realizar la corrección lateral aflojando la tuerca en el lado del alza, a la cual desea desplazar los impactos y ajustando el tornillo en el lado contrario (dib. 8). Una vuelta del tornillo desplaza el punto de mira en la distancia de 50 m en 5 cm. El ajuste de altura se realiza desplazando la mira en la ranura de la base de la mira. La mira se asegura en contra del desplazamiento mediante un tornillo, a lo largo de la ranura se encuentran grabadas rayas de apoyo. Desplazando la mira en una raya el punto de mira se desplaza en la distancia de 50 m en 1,5 cm.

En las versiones CZ 452 ZKM Scout se realiza el ajuste lateral desplazando la mira en la ranura directa y asegurándola con un punzón. La corrección de altura se realiza desplazando la corredera sobre el trinquete del alza (dib. 9). Un desplazamiento en 1 marca cambia la posición del punto de mira en la distancia de 50 m en 1,25 cm.

CZ 453 se produce en la versión sin miras.

### Mira óptica

La realización del montaje de mira óptica y del ajuste del tiro debe entregarse a un taller especializado.

## INSTRUCCIONES DE MANTENIMIENTO

### Desmontaje del arma para la limpieza

1. Retire el cargador.
2. Desactive el seguro para poder movilizar la corredera.
3. Abra la corredera y después de presionar el disparador al tope, retírela del arma.

### Desmontaje de la cerradura

1. Según las instrucciones arriba descritas retire la cerradura del rifle.
2. Sujete el cuerpo de la cerradura fijamente y dé una pequeña vuelta con la palanca para la derecha (como cerrando la cerradura en el arma). De esta manera, el resorte del percutor se afloja.
3. Coloque el apoyo del resorte del percutor sobre un objeto sólido adecuado (dib. 10) y presiónelo un poco hacia la cerradura. Retíre a su vez el seguro.
4. Después de retirar el seguro afloje cuidadosamente la cerradura y sostenga el apoyo del resorte del percutor. Tenga mucho cuidado durante este desmontaje, ya que el apoyo puede ser expulsado mediante la fuerza del percutor y perdido o puede causar heridas.

### ATENCIÓN:

No desmonte ningunas otras partes. Si considera que el arma necesita ajuste o reparación, entréguela a un taller especializado!

### **Limpieza del arma**

Limpie la carabina

- Después de cada uso
- Siempre después que entre en contacto con humedad
- Lo antes posible después del disparo
- Por lo menos una vez al año en climas templados
- En condiciones climáticas exigentes por lo menos una vez al mes

### **Limpieza del ánima y la recámara**

En caso que no se haya disparado de la carabina o si solamente se han disparado pocos cartuchos, limpie el ánima y la recámara con un pedazo de tela seca colocada en un extremo de una baqueta. Cambie Las telas tantas veces, hasta que el último pedazo quede limpio.

Cuando el ánima se encuentre muy sucia, aplique en ella y en la recámara una solución limpiadora con un cepillo, deje actuar aproximadamente 10 minutos (el tiempo de actuación puede variar de acuerdo con el tipo del producto de limpieza) y limpie con un cepillo. Seque el ánima y la recámara con un pedazo de tela limpia y verifique, si se eliminaron todos los residuos. Repita el procedimiento en caso de necesidad.

Introduzca la baqueta y el cepillo en el cañón a través de la recámara para evitar que la boca del cañón se desgaste o dañe. Pase el cepillo por todo el largo del cañón antes de invertir el movimiento. Si trata de cambiar de dirección del movimiento con el cepillo dentro del cañón, el cepillo podría atascarse.

### **Limpieza de otras partes del rifle**

Las otras partes metálicas del rifle deben limpiarse con una tela seca, un cepillo de dientes viejo, un cepillo de cerdas de bronce o raspadores de madera. Durante la limpieza se puede utilizar también un aceite de preservación o querosene. Sin embargo, no emplee nunca la solución determinada para la limpieza del ánima del cañón! Estas soluciones podrían permanecer en las hendiduras de los componentes y con el tiempo causar corrosión. Compruebe que ningún trozo de tela o alguna cerda de cepillo hayan quedado alojados en alguna parte de la carabina.

Realice el mantenimiento de la culata con un pedazo de tela seco o con algún medio para abrillantar muebles.

### **Conservación**

Una vez que el ánima del cañón, la recámara y todas las partes de metal accesibles estén limpias y secas, frótelas con un paño remojado en aceite de preservación o aplique dicho aceite mediante un rociador. Retire luego el exceso de aceite.

Antes de disparar, seque completamente el ánima del cañón. Si utiliza el rifle en temperaturas bajas, retire el aceite de todas las partes accesibles y aplique un lubricante especial determinado para estas condiciones climáticas.

Grasas preservantes espesas, como por ejemplo vaselina, utilice únicamente en el caso de un almacenaje de larga duración en condiciones climáticas extremas. Antes de usar el rifle, retire dicha grasa por completo.

### **Tratamiento de los residuos**

Si son manejados de manera correcta, el material, los envases y los embalajes del producto no tienen ninguna incidencia negativa ni sobre la salud humana ni sobre el medio ambiente. Si necesita deshacerse del producto o su embalaje, los componentes metálicos (acero, metales de color), los plásticos, la madera y el papel-cartón tienen que ser depositados selectivamente en los contenedores destinados para estos materiales.

**ELIMINACIÓN DE FALLAS FUNCIONALES**

Con un uso y mantenimiento correcto hay muy poca probabilidad que se produzca una avería. En caso de producirse tal situación, diríjase con las siguientes instrucciones.

**ATENCIÓN** - En caso que se produzca una falla durante el disparo, aumenta notablemente la probabilidad de un disparo no intencionado. Por esta razón mantenga al pie de letra las instrucciones de seguridad indicadas más arriba. Apunte siempre hacia un espacio seguro, no de la vuelta al rifle enfrente suyo ni frente a otras personas, no coloque las manos delante de la boca del cañón!

<b>Falla</b>	<b>Causa probable</b>	<b>Forma de eliminarla</b>
El cartucho no entra en la recámara	El cargador no está encajado suficientemente o se encuentra averiado. El arma o los cartuchos están sucios.	Introduzca correctamente el cargador o utilice uno nuevo. Limpie y seque el arma y los cartuchos, eventualmente lubrique suavemente.
Fallos al disparar	Cartucho utilizado defectuoso. El agujero del percutor se encuentra sucio o se utilizó un lubricante inadecuado bajo temperaturas ambientales bajas.	Prosiga según el punto 19 de las Instrucciones de seguridad. Desmonte y limpie el percutor, eventualmente utilice un lubricante para temperaturas bajas.
El disparo "débil"	El cartucho se activó, pero no hubo pólvora en la cartuchera.	Descargue el arma y compruebe que la bala no ha quedado atascada en el cañón. Un siguiente disparo eventual podría ocasionar serios daños al cañón!
La vaina no ha sido expulsada	La recámara, el extractor o la munición sucios, eventualmente el uso de un lubricante inadecuado para temperaturas bajas.	Limpie y seque la carabina, eventualmente lubríquela con un lubricante adecuado. Utilice munición nueva y limpia.

Si no es posible, reparar las fallas según las instrucciones arriba descritas, entregue el rifle para una revisión y reparación en un taller especializado.

LISTA DE COMPONENTES

1 Cañón	27 Remache del disparador	53 Arandela elástica	84 Tornillo posterior del sujetador
2 Guión	28 Perno del disparador	54 Protector del disparador	85 Resorte del disparador
3 Tornillo del guión	29 Perno de la varilla del disparador	55 Arandela del protector del disparador	86 Perno del disparador
4 Protector del guión	30 Varilla del disparador	56 Tornillo del protector del disparador (2x)	87 Anillo de seguro (2x)
5 Base del guión	31 Tuerca de la varilla del disparador	57 Tornillo de unión posterior	88 Muelle de la palanca del chinchete
6 Cubremira	32 Arandela del muelle del disparador	58 Envoltura del cargador	89 Palanca del chinchete
7 Muelle de la cubremira	33 Muelle de la resistencia del disparador	59 Aportador	90 Perno de ajuste del disparador (B)
8 Plaquita del alza	34 Guía de la cerradura	60 Muelle del aportador	91 Hilo de silón (2x)
9 Tornillo del alza (2x)	35 Cerradura	61 Fondo del cargador	92 Perno
10 Corredera	36 Extractor	62 Trinquete del fondo del cargador	93 Muelle de la resistencia del disparador
11 Botón del alza	37 Sujetador	63 Muelle del trinquete del fondo del cargador	94 Sujetador del disparador
12 Muelle del botón	38 Muelle del extractor	64 Envoltura del cargador	95 Tornillo regulador de la resistencia (A)
13 Base del alza	39 Seguro	65 Aportador	96 Tuerca de seguro
14 Pasador de la base del alza	40 Manívela	66 Resorte del aportador	97 Tuerca de seguro
15 Cama	41 Percutor	67 Cuerpo de la inserción	98 Tornillo de ajuste de la cribadura (C)
16 Guía del cargador	42 Resorte del percutor	72 Cañón	99 Palanca del disparador
17 Tornillo delantero de la guía del cargador	43 Apoyo del resorte del percutor	73 Guión	100 Tornillo de ajuste del chinchete
18 Tornillo posterior de la guía del cargador	44 Culata	74 Cubremira	101 Casquillo
19 Trinquete del cargador	45 Cantonera	75 Plaquita del alza	102 Tornillo del casquillo
20 Resorte del trinquete del cargador	46 Tornillo de la cantonera (2x)	76 Base de alza	103 Tuerca del casquillo
21 Perno del trinquete del cargador	47 Tornillo de unión delantero	77 Remache	104 Tuerca cilíndrica
22 Palanca del disparador	48 Arandela del tornillo de unión delantero	78 Corredera	105 Envoltura del cargador
23 Bolita de acero	49 Hebilla completa	79 Sujetador del mecanismo de disparo	106 Trinquete del fondo del cargador
24 Muelle de la palanca del disparador	50 Tornillo de la hebilla	80 Retén del percutor	107 Fondo del cargador
25 Perno de la palanca del disparador	51 Hebilla	81 Tope del retén del percutor	108 Muelle del aportador
26 Disparador	52 Tornillo	82 Muelle del retén del percutor	109 Aportador
		83 Tornillo delantero del sujetador	



DATOS TÉCNICOS

Modelo	Standard, Lux	Style, Silhouette	FS	Scout	American	Varmint
Calibre	.22 LR .22 WMR	.22 LR .17 HMR	.22 LR .22 WMR .17 HMR	.22 LR	.22 LR .22 WMR .17 HMR .17HM2	.22 LR .17 HMR .17HM2
Longitud total [mm]	1083	1035	995	830	1020	998
Longitud del cañón [mm]	630	572	527	412	572	532
Distancia entre miras (con miras abiertas) [mm]	508	-	410	320	-	-
Peso (sin cartuchos) [kg]	3	2,7	2,9	1,8	2,8	3,2
Capacidad del cargador [cartuchos]	<b>.22 LR: 5/10/1 - .22 WMR: 5 - .17 HMR: 5 - .17 HM2: 5</b>					
Resistencia del disparador ajustable en el alcance de * [N]	14 - 18					
Resistencia del disparador con el chinchete montado [N]	4 - 7					

\* Los rifles en la versión Silhouette disponen del ajuste de la fuerza de resistencia del disparador entre 11 y 14 N

**LISTA DE ILUSTRACIONES**

1. Denominación de las partes básicas
2. Retiro del cargador
3. Seguro fuera de la posición de seguridad - la flecha señala la dirección de la posición de seguridad
4. Ajuste del chinchete
5. Ajuste de la resistencia del disparador en la CZ 452 ZKM
6. Ajuste del disparador en la CZ 453 (A - la resistencia del disparador, B - carrera antes del disparo, C - carrera después del disparo)
7. Tornillo de ajuste del chinchete
8. Trinquete del alza con la corredera, la plaquita del alza y tornillos para la regulación lateral
9. Vista del alza en la versión Scout
10. Desmontaje del cerrojo

El productor se reserva el derecho de realizar cambios que considere indispensables para el mejoramiento de sus modelos o para satisfacer requerimientos de carácter productivo o comercial.

NOTES - NOTAS - POZNÁMKY - ANMERKUNGEN - NOTICES

.....

.....

.....

.....

.....

.....

**Dříve než začnete zacházet se zbraní, seznamte se s tímto návodem a zvláště s následujícími bezpečnostními pokyny.**

Nesprávné a nedbalé zacházení se zbraní může způsobit neúmyslný výstřel, který může mít za následek zranění, smrt nebo škodu na majetku. Stejně následky mohou mít svévolné úpravy, koroze nebo používání nepředepsaných nebo poškozených nábojů. V těchto případech nemůže výrobce nést za vzniklé následky odpovědnost.

Předtím, než byla tato zbraň dána do prodeje, byla přezkoušena, pečlivě prohlédnuta a zabalena. CZ nemůže kontrolovat zacházení se zbraní potom, co opustí továrnu. Proto si při koupi této zbraně ověřte, že je nenabitá a nepoškozená.

Tato příručka s instrukcemi by měla být vždy ke zbraní přiložena a to i v případě, že ji někomu půjčíte nebo prodáte.

### OBSAH

BEZPEČNOSTNÍ POKYNY	36	POKYNY PRO ÚDRŽBU	43
NÁZVOSLOVÍ A POPIS MALORÁŽKY	38	Rozborka pro čištění	43
POKYNY PRO POUŽÍVÁNÍ	41	Demontáž závěru	44
Střelivo	41	Čištění zbraně	44
Vyjmutí zásobníku	41	Čištění vývrtu a nábojové komory	44
Plnění zásobníku	41	Čištění ostatních částí zbraně	45
Nabíjení malorážky	41	Konzervace	45
Zajištění malorážky	41	Nakládání s odpady	45
Vybjíjení malorážky	42	SEZNAM SOUČÁSTEK	46
Funkce výstražníku	42	ODSTRAŇOVÁNÍ FUNKČNÍCH ZÁVAD	47
Funkce napínáčku	42	TECHNICKÁ DATA	48
Seřízení spouště	42	SEZNAM OBRÁZKŮ	49
Nastavení mířidel	43		
Optický zaměřovač	43		

## BEZPEČNOSTNÍ POKYNY

Dbejte dodržování bezpečnostních pokynů pro bezpečnost vaši a bezpečnost ostatních.

1. Vždy zacházejte se svou zbraní, jako kdyby byla nabitá.
2. Nikdy svou zbraní nemiřte na cokoli, na co nemíníte střílet.
3. Nikomu nevěřte, že zbraň není nabitá.
4. Než zbraň odložíte nebo předáte jiné osobě, vždy se přesvědčte, že není nabitá.
5. Zbraň přechovávejte nenabitou, se spuštěným bicím mechanismem.
6. Nikdy nepoužívejte zbraň k jinému účelu než ke střelbě.
7. Nikdy nenechávejte zbraň nataženou a nabitou bez dozoru.
8. Před nabitím zbraně se přesvědčte, že vývrt hlavně, komora a závěr jsou čisté a bez překážek. Zbraň znečištěnou od střelby co nejdříve vyčistěte.
9. Nestřílejte ze zbraně, pokud si nejste jisti střelivem, které používáte. Nepoužívejte neoznačené nebo ručně přebíjené střelivo neznámého původu, střelivo s naprasklou, deformovanou nebo promáčknutou nábojnicí nebo střelou vykazující známky poškození. Přebíjení je odborná činnost a nesprávně (chybně) přebíjené střelivo může být extrémně nebezpečné. Výsledkem může být těžké poškození/zničení zbraně a vážná zranění či smrt střelce i dalších osob. Používejte pouze čisté, suché, originální továrně vyrobené střelivo vysoké kvality v dobrém stavu, příslušné pro ráži vaší zbraně.
10. Před střelbou nebo během střelby nepijte alkoholické nápoje a neužívejte drogy.
11. Pokud to okolnosti umožní, používejte při střelbě chrániče sluchu a ochranné sřelecké brýle.
12. Když je zbraň nabitá, mějte pojistku v poloze zajištěno až do okamžiku, kdy jste připraveni ke střelbě. Při odjišťování miřte do bezpečného prostoru.
13. Dbejte na to, aby nikdo nepřekážel ve směru vyhozené nábojnice.

14. Nemačkejte spoušť a nedávejte prsty do chránítka spouště, pokud nemíříte na cíl a nejste připraveni střílet.
15. Než stisknete spoušť, ještě jednou si zkontrolujte váš cíl a prostor za ním. Střela může letět skrze nebo mimo váš cíl ještě několik stovek metrů.
16. Nikdy nestřílejte na tvrdý povrch jako je kámen nebo na vodní hladinu.
17. Nestřílejte ze zbraně poblíž zvířete, pokud není na tento hluk vycvičeno.
18. Pokud držíte zbraň, nikdy se neoddávejte "hrubým žertům".
19. Selhání výstřelu: V případě, že nedojde k výstřelu, držte zbraň namířenou na cíl nebo do bezpečného prostoru a počkejte třicet sekund. Pokud nastal zpožděný zápal, náboj do třiceti sekund vystřelí. Jestliže k výstřelu nedojde, vyjměte náboj z hlavně a prohlédněte jej. Je-li otisk od úderníku na náboji slabý nebo žádný, nechte před další střelbou zbraň prohlédnout kvalifikovaným zbrojířem.
20. Před čistěním, skladováním nebo dopravou se vždy přesvědčte, že vaše zbraň není nabita. Nevystřelené střelivo vyjměte ze zbraně a bezpečně uložte v souladu se zákonnými předpisy.
21. Zbraň a střelivo přechovávejte v odděleném a uzamčeném prostoru mimo dosah a dohled dětí a nepovolaných osob. Vždy chraňte střelivo před zdrojem tepla a otevřeným ohněm.
22. Nikdy neupravujte součástky zbraně. Můžete tak závažným způsobem narušit její správnou funkci nebo bezpečnost.
23. Pamatujte, že koroze, použití vadných nábojů, pád zbraně na tvrdý povrch nebo jiné „hrubé zacházení“ může způsobit poškození, které nemusí být na první pohled patrné. Pokud k něčemu takovému dojde, nechte zbraň prověřit u odborníka.

## NÁZVOSLOVÍ A POPIS MALORÁŽKY

Názvy základních částí malorážky používané v tomto návodu jsou uvedeny na obrázku 1 na vnitřní straně obálky. Názvy všech součástí malorážky jsou uvedeny v kapitole *Seznam součástek*.

Malorážky CZ 452 ZKM a CZ 453 jsou klasické opakovací zbraně robustní konstrukce. Vyrábějí se v několika provedeních. Mezi charakteristické vlastnosti všech provedení patří:

- dobré vyvážení zbraně zaručující pohotovost a snadné zamykání
- klapkové hledí nastavitelné v širokém rozsahu dálek střelby
- snadná montáž zaměřovacího dalekohledu
- snadno ovladatelné a dobře přístupné ovladače, vyráběné i v levorukém provedení
- seřiditelný odpor spouště
- signalizace napnutí bicího mechanismu
- snadná demontáž pro čištění a běžnou údržbu, proveditelná bez jakéhokoliv nářadí
- vysoká přesnost střelby
- vysoká životnost
- vysoká funkční spolehlivost za všech podmínek používání i při použití střeliva od různých výrobců s různými typy střel
- možnost upevnění tlumiče Still nebo Parker Hale (pouze na zvláštní požadavek do teritorií, kde je to legislativně povoleno)
- CZ 453 je vybavena kompletně seřiditelným spoušťovým mechanismem včetně napínáčku

## NÁVOD NA POUŽITÍ

CZ 452	Ráže				Povrchová úprava		Spoušť s napínáčkem	Popis
	.22 LR	.22 WMR	.17 HMR	.17 HM2	černěno	niklováno		
Standard	✓	✓	✗	✗	✓	✗	✗	pažba z bukového dřeva
Lux	✓	✓	✗	✗	✓	✓	✗	pažba z ořechového dřeva, na úchopových částech zdrsňená rýhováním
Style	✓	✗	✓	✗	✗	✓	✗	pažba plastová, kovové části niklovány a černěny
Silhouette	✓	✗	✓	✗	✓	✗	✗	pažba plastová, provedení malorážky splňuje požadavky střeleckých pravidel IMSSA
FS	✓	✓	✓	✗	✓	✗	✗	celopažba z ořechového dřeva, na úchopových částech zdrsňená rýhováním
Scout	✓	✗	✗	✗	✓	✗	✗	provedení určené pro mládež
American	✓	✓	✓	✓	✓	✓	✗	provedení přizpůsobeno požadavkům trhu USA a Austrálie - bez pevných mířidel
Varmint	✓	✗	✓	✓	✓	✗	✗	těžká hlaveň, pažba s nízkou pryžovou botkou - bez pevných mířidel



## NÁVOD NA POUŽITÍ

CZ 453	Ráže			Povrchová úprava		Spoušť s napínáčkem	Popis
	.22 LR	.17 HMR	.17 HM2	černěno	niklováno		
American	✓	✓	✓	✓	✗	✓	provedení přizpůsobeno požadavkům trhu USA a Austrálie - bez pevných mířidel
Varmint	✓	✓	✓	✓	✗	✓	těžká hlaveň, pažba s nízkou pryžovou botkou - bez pevných mířidel

## POKYNY PRO POUŽÍVÁNÍ

### Střelivo

Vždy používejte střelivo dovoleného výrobního provedení, které splňuje normy stanovené pro výrobce střeliva a je schváleno organizací CIP (Mezinárodní organizace pro zkoušení ručních palných zbraní a střeliva), případně SAAMI (americká norma pro zbraně a střelivo). Použití jiných nábojů může způsobit poškození zbraně nebo zranění střelce. Při použití továrního střeliva se standardní rychlostí je používání zbraní České zbrojovky a.s. bezpečné. Zkontrolujte střelivo, které hodláte použít, abyste měli jistotu, že odpovídá ráži vaší zbraně. Komerčně vyráběné střelivo má u každého náboje označení ráže jasně vyznačeno na dně, případně okolo dna nábojnice.

### Vyjmutí zásobníku

Stiskněte západku zásobníku umístěnou před zásobníkem směrem dozadu (obr. 2) a vyjměte zásobník (podávací vložku) ze zbraně.

### Plnění zásobníku

Uchopte zásobník ústím nahoru. Položte náboj zadním koncem na podavač v místě prohlubni na hubici zásobníku a stlačte jej dolů a dozadu, až se dotkne zadní stěny zásobníku. Další náboj umístěte na předcházející a zasuňte stejným způsobem.

### Nabíjení malorážky

#### PŘI NABÍJENÍ MĚJTE ZBRAŇ VŽDY ZAMÍŘENOU DO BEZPEČNÉHO PROSTORU!

Vsuňte plný zásobník do zbraně a přesvědčte se, že je zachycen západkou zásobníku.

Uchopte malorážku levou rukou za předpažbí, botkou opřete o tělo a pravou rukou uchopte kliku závěru. Otevřete závěr otočením kliky směrem nahoru a odsunutím dozadu až na doraz. Přesuňte závěr plynulým pohybem znovu dopředu a otočením kliky směrem dolů jej zamkněte. Přitom se do komory zasune náboj a natáhne se bicí mechanismus. Nyní je zbraň připravena ke střelbě. Pokud nehodláte bezprostředně střelět, zajistěte ji způsobem popsaným dále v části *Zajištění malorážky*.

Používáte-li podávací vložku, ponechte ji zasunutou ve zbrani, otevřete závěr a náboj položte na podavač. Dál pokračujte stejně jako při použití zásobníku. Podávací vložka je určena pro nejpřesnější střelbu, neboť chrání střely před poškozením při podávání nábojů.

### Zajištění malorážky

Přesuňte pojistku směrem dopředu do zajištěné polohy (obr. 3), až se zakryje červená značka. Tím zablokujete spoušťový mechanismus a závěr, takže není možné vystřelit, ani pohybovat se závěrem.

### Vybíjení malorážky

#### ZAMIŘTE DO BEZPEČNÉHO PROSTORU!

- vyjměte zásobník dříve popsaným způsobem
- odjistěte pojistku, aby bylo možné otevřít závěr
- otevřete závěr a přesvědčte se, že náboj z komory byl vytažen a vyhozen
- zavřete závěr
- stiskněte spoušť (rána jistoty)

### Funkce výstražníku

Napnutí bicího mechanismu signalizuje úderník. Pokud je napnutý, přečnává jeho zadní část přes opěrku pružiny úderníku. Přečnávání je zjištělné zrakem i hmatem.

### Funkce napínáčku

Napínáček natáhněte zatlačením spouště směrem dopředu (obr. 4). Z bezpečnostních důvodů jej napínejte až po nabití zbraně těsně před střelbou. Nenoste zbraň s napnutým napínáčkem! Jestliže jste napnuli napínáček a pominul důvod ke střelbě, zamiřte do bezpečného prostoru, zajistěte pojistku a stisknutím spouště napínáček uvolněte. Potom vybijte zbraň výše popsaným způsobem.

### Seřízení spouště

Seřízení odporu spouště u CZ 452 ZKM se provádí po sejmutí pažby stavěcí maticí (obr. 5).

CZ 453 umožňuje seřídít odpor spouště a délku chodu spouště před a po odpálení (obr. 6). Seřízení se provádí po sejmutí pažby stavěcími šrouby A (odpor), B (dráha před) a C (dráha po odpálení).

Je-li zbraň vybavena napínáčkem, provádí se jeho seřízení šroubem umístěným před spouští (obr. 7). Z bezpečnostních důvodů nenastavujte napínáček na příliš krátký chod, neboť ořesy zbraně při manipulaci by mohly způsobit nežádoucí výstřel. Bezpečnost seřízení napínáčku ověřte s nenabitou zbraní opakovaným otevřením a zavřením závěru kombinovaným se zajištěním a odjistěním pojistky. Přitom nesmí dojít k samovolnému odpálení.

Poznámka: Napínáček je možné ze zbraně demontovat, aniž by došlo k ovlivnění funkce nebo seřízení vlastní spouště.

### Nastavení mířidel

Klapkové hledí u malorážky CZ 452-2E ZKM je opatřeno ryskami odstupňovanými po 25 m pro dálku střelby 25 až 200 m. Malorážka byla u výrobce nastřelena na vzdálenost 50 m.

Po stisknutí stiskátka nastavte posunutím šoupátka požadovanou dálku střelby. Stranovou korekci je možné provést povolením šroubu na té straně plátku hledí, na kterou chcete posunout zásahy a dotažením šroubu na opačné straně (obr. 8). Jedna otáčka šroubu posune záměrný bod ve vzdálenosti 50 m o 5 cm. Výšková korekce se provádí posunutím mušky v drážce základny mušky. Muška je zajištěna proti posunutí šroubem, podél drážky jsou vyraženy pomocné rysky. Posunutí mušky o jednu rysku přesune záměrný bod ve vzdálenosti 50 m o 1,5 cm.

U provedení CZ 452 ZKM Scout se provádí stranová korekce posunutím mušky v příčné drážce a jejím zajištěním důlčikem. Výšková korekce se provádí posouváním šoupátka po klapce hledí (obr. 9). Posunutí o 1 dílek změní polohu záměrného bodu ve vzdálenosti 50 m o 1,25 cm. CZ 453 je vyráběna v provedení bez mířidel.

### Optický zaměřovač

Montáž optického zaměřovače a nastřelení zbraně je vhodné svěřit odborné dílně.

## POKYNY PRO ÚDRŽBU

### Rozborka pro čištění

1. Vyjměte zásobník.
2. Odjistěte pojistku, aby bylo možné pohybovat se závěrem.
3. Otevřete závěr a po stisknutí spouště na doraz jej vytáhněte ze zbraně.

### Demontáž závěru

1. Výše popsaným způsobem vyjměte závěr ze zbraně.
2. Uchopte pevně tělo závěru a otočte kliku doprava (jako při zavírání závěru ve zbrani). Tím se uvolní pružina úderníku.
3. Položte opěrku pružiny úderníku na vhodný pevný předmět (obr. 10) a zatlačte ji poněkud do závěru. Současně vytahujte pojistku.
4. Po vyjmutí pojistky opatrně uvolňujte závěr a přidržujte opěrku pružiny úderníku. Při této demontáži buďte velmi opatrní, neboť opěrka může být silou pružiny úderníku vymrštnuta a ztracena nebo může způsobit zranění.

UPOZORNĚNÍ: Žádné další díly nedemontujte. Pokud se domníváte, že zbraň vyžaduje seřízení nebo opravu, svěťte ji odborné dílně!

### Čistění zbraně

Čistěte zbraň

- po každém použití
- po každém navlhnutí
- co nejdříve po střelbě
- v mírných klimatických podmínkách nejméně jednou za rok
- v náročných klimatických podmínkách nejméně jednou měsíčně

### Čistění vývrtu a nábojové komory

Pokud nebylo ze zbraně stříleno nebo bylo vystřeleno jen několik nábojů, vytírejte vývrt a nábojovou komoru suchým hadříkem navlečeným do vytěráku. Hadříky vyměňujte tak dlouho, až bude poslední kousek čistý.

Pokud je vývrt silně znečištěn, naneste do něj a do komory kartáčkem čistící roztok, nechte asi 10 minut působit (doba působení se může u různých čistících prostředků lišit) a vyčistěte kartáčkem. Vysušte vývrt a komoru čistým hadříkem a zkontrolujte, zda byly všechny spaliny odstraněny. V případě potřeby postup opakujte.

Vytěrák i kartáček zasouvajte do hlavně od komory, abyste nepoškodili ústí hlavně. Kartáček protlačujte celou hlavní, než změňte směr pohybu. Pokud byste změnil směr pohybu s kartáčkem v hlavní, mohl by se kartáček v hlavní vzpříčit.

### Čistění ostatních částí zbraně

Ostatní kovové části zbraně čistíte suchým hadříkem, starým kartáčkem na zuby, mosazným kartáčkem nebo dřevěnou škrabkou. Při čišťení můžete použít i konzervační olej nebo petrolej. Nikdy však nepoužívejte roztok určený pro čišťení vývrtu! Ten by mohl zůstat ve spárách mezi součástkami a po delší době způsobit korozi. Přesvědčte se, že zbytky hadříku nebo štětiny z kartáčku neuvízly v žádné části zbraně.

Údržbu pažby provádějte suchým hadříkem nebo některým z prostředků na leštění nábytku.

### Konzervace

Vývrt, nábojovou komoru a všechny přístupné kovové součásti po vyčištění do sucha potřete hadříkem zvlhčeným v konzervačním oleji nebo použijte olej ve spreji. Přebytečný olej setřete.

Před střelbou vytřete vývrt do sucha. Používáte-li zbraň při nízkých teplotách, odstraňte olej ze všech přístupných částí nebo použijte speciální mazadlo určené pro tyto podmínky.

Husté konzervační prostředky jako např. vazelínu používejte jen pro dlouhodobé skladování v náročných klimatických podmínkách a před použitím ji důkladně odstraňte ze všech částí zbraně.

### Nakládání s odpady

Materiály výrobku a obalu nemají při správném používání žádné negativní dopady na zdraví člověka ani životní prostředí. V případě nutnosti odstranění výrobku nebo jeho obalu platí, že kovové součásti (ocel a barevné kovy), plasty, dřevo, papír a lepenka se ukládají odděleně do sběrných nádob k tomu určených.

## SEZNAM SOUČÁSTEK

1 Hlaveň	26 Spoušť	53 Pružná podložka	82 Pružina dorazu
2 Muška	27 Nýt spouště	54 Chránítko spouště	83 Přední šroub držáku
3 Šroub mušky	28 Čep spouště	55 Podložka chránítka	84 Zadní šroub držáku
4 Chránítko mušky	29 Čep tyčinky spouště	spouště	85 Pružina spouště
5 Základna mušky	30 Tyčinka spouště	56 Šroub chránítka spouště	86 Čep spouště
6 Klapka hledí	31 Matice tyčinky spouště	(2x)	87 Pojistný kroužek (2x)
7 Pružina klapky hledí	32 Podložka pružiny spouště	57 Zadní spojovací šroub	88 Pružina páky napínáčku
8 Plátek hledí	33 Pružina odporu spouště	58 Plášť zásobníku	89 Páka napínáčku
9 Šroub hledí (2x)	34 Vedení závěru	59 Podavač	90 Stavěcí šroub spouště (B)
10 Šoupátko	35 Závěr	60 Pružina podavače	91 Vlasec silonový (2x)
11 Stiskátko hledí	36 Vytahovač	61 Dno zásobníku	92 Čep
12 Pružina stiskátka	37 Přidržovač	62 Západka dna zásobníku	93 Pružina odporu spouště
13 Základna hledí	38 Pružina vytahovače	63 Pružina západky dna	94 Držák spouště
14 Kolík základny hledí	39 Pojistka	zásobníku	95 Šroub regulace odporu (A)
15 Lůžko	40 Klika	64 Plášť zásobníku	96 Matice zajišťovací
16 Vedení zásobníku	41 Úderník	65 Podavač	97 Matice zajišťovací
17 Přední šroub vedení	42 Pružina úderníku	66 Pružina podavače	98 Stavěcí šroub propadu (C)
zásobníku	43 Opěrka pružiny úderníku	67 Tělo vložky	99 Páka spouště
18 Zadní šroub vedení	44 Pažba	72 Hlaveň	100 Stavěcí šroub napínáčku
zásobníku	45 Botka	73 Muška	101 Objímka
19 Západka zásobníku	46 Šroub botky (2x)	74 Chránítko mušky	102 Šroub objímky
20 Pružina západky	47 Přední spojovací šroub	75 Plátek hledí	103 Matice objímky
zásobníku	48 Podložka předního	76 Základna hledí	104 Záchyt
21 Čep západky zásobníku	spojovacího šroubu	77 Nýt	105 Plášť zásobníku
22 Spoušťová páka	49 Poutko úpné	78 Šoupátko	106 Západka dna zásobníku
23 Ocelová kulička	50 Šroub poutka	79 Držák spoušťového ústrojí	107 Dno zásobníku
24 Pružina spoušťové páky	51 Poutko	80 Záchyt úderníku	108 Pružina podavače
25 Čep spoušťové páky	52 Šroub	81 Doraz záchytu úderníku	109 Podavač

### ODSTRAŇOVÁNÍ FUNKČNÍCH ZÁVAD

Při správném používání a údržbě je pravděpodobnost vzniku závad minimální. Pokud tato situace přesto nastane, řiďte se následujícími pokyny.

**POZOR** - pokud vznikne při střelbě závada funkce, mimořádně se zvyšuje pravděpodobnost nechtěného výstřelu. Proto při odstraňování závady důsledně dodržujte dříve uvedené bezpečnostní pokyny. Mířte neustále do bezpečného prostoru, neotáčejte zbraň proti sobě ani proti jiným osobám, nedávejte ruce před ústí hlavně!

Závada	Pravděpodobná příčina	Způsob odstranění
Nepodání náboje do komory	Zásobník není dostatečně zasunut nebo je poškozený. Zbraň nebo náboje jsou znečištěny.	Zasuňte řádně zásobník nebo použijte jiný.  Vyčistěte zbraň a náboje do sucha, případně je lehce namažte.
Selhač	Použitý náboj je vadný. Znečištěný otvor pro úderník nebo nevhodné mazadlo při nízké okolní teplotě.	Postupujte podle bodu 19 bezpečnostních pokynů. Demontujte a vyčistěte úderník, případně použijte mazadlo pro nízké teploty.
"Slabá rána"	Náboj byl aktivován, ale v nábojnici nebyl prach.	Vybijte zbraň a přesvědčte se, zda střela neuvízla v hlavni. Případný další výstřel by mohl vážně poškodit hlaveň!
Nevyhození	Znečištěná nábojová komora, vytahovač nebo náboje, případně použití nevhodného mazadla při nízké teplotě.	Vyčistěte zbraň do sucha, případně lehce namažte vhodným mazadlem. Používejte nové, čisté střelivo.

Pokud nelze závadu odstranit žádným z výše uvedených způsobů, svěřte malorážku k prohlídce a opravě odborné dílně.



## TECHNICKÁ DATA

Model	Standard, Lux	Style, Silhouette	FS	Scout	American	Varmint
Ráže	.22 LR .22 WMR	.22 LR .17 HMR	.22 LR .22 WMR .17 HMR	.22 LR	.22 LR .22 WMR .17 HMR .17HM2	.22 LR .17 HMR .17HM2
Celková délka [mm]	1083	1035	995	830	1020	998
Délka hlavně [mm]	630	572	527	412	572	532
Délka záměrné (s otevřenými mířidly) [mm]	508	-	410	320	-	-
Hmotnost (bez nábojů) [kg]	3	2,7	2,9	1,8	2,8	3,2
Kapacita zásobníku [nábojů]	.22 LR: 5/10/1 - .22 WMR: 5 - .17 HMR: 5 - .17 HM2: 5					
Odpor spouště seřiditelný v rozsahu * [N]	14 - 18					
Odpor spouště s napnutým napínáčkem [N]	4 - 7					

\* Malorážky v provedení Silhouette mají odpor spouště seřiditelný v rozsahu 11 - 14 N

## SEZNAM OBRÁZKŮ

1. Názvosloví hlavních dílů
2. Vyjímání zásobníku
3. Pojistka v odjištěné poloze (šipka vyznačuje směr zajištění)
4. Napnutí napínáčku
5. Seřízení odporu spouště u CZ 452 ZKM
6. Seřizování spouště u CZ 453 (A - odpor spouště, B - dráha před odpálením, C - dráha po odpálení)
7. Seřizovací šroub napínáčku
8. Klapka hledí se šoupátkem, plátkem hledí a šrouby pro stranovou regulaci
9. Pohled na hledí provedení Scout
10. Demontáž závěru

Výrobce si ponechává právo provést změny, které považuje za nezbytné pro vylepšení svých modelů, nebo aby vyhověl požadavkům výrobní nebo obchodní povahy.

**Bevor Sie die Waffe benutzen, machen Sie sich bitte mit dieser Anleitung und besonders mit folgenden Sicherheitsbestimmungen vertraut.**

Durch falschen oder nachlässigen Umgang mit der Waffe kann es zu einem unbeabsichtigten Schuß kommen, der Verletzungen, Tod oder Sachschaden zur Folge haben kann. Die Gleichen Folgen können eigenmächtige Änderungen an der Waffe, Korrosion oder der Gebrauch von nicht vorschriftsmäßiger bzw. beschädigter Munition haben. In diesen Fällen kann der Hersteller keine Verantwortung für entstehenden Folgen übernehmen.

Bevor die Waffe zum Verkauf angeboten wurde, wurde sie vom Hersteller überprüft, sorgfältig durchgesehen und verpackt. Nachdem die Waffe das Herstellerwerk verlassen hat, kann die CZ den weiteren Umgang mit ihr nicht kontrollieren. Überprüfen Sie deshalb beim Kauf der Waffe, daß sie nicht geladen und beschädigt ist.

Diese Bedienungsanleitung sollte der Waffe immer beigelegt sein. Dies gilt auch für den Fall, daß Sie die Waffe jemandem verleihen oder verkaufen.

## INHALTSVERZEICHNIS

SICHERHEITSBESTIMMUNGEN	51	PFLEGEANWEISUNG	59
FACHAUSDRÜCKE UND BESCHREIBUNG DER KLEINKALIBERBÜCHSE	53	Zerlegen zur Reinigung	59
GEBRAUCHSANWEISUNG	56	Demontage des Verschlusses	59
Munition	56	Reinigung der Waffe	60
Herausnehmen des Magazins	56	Reinigung von Laufbohrung und Patronenkammer	60
Füllen des Magazins	56	Reinigung der anderen Waffenteile	61
Laden der Kleinkaliberbüchse	56	Konservierung	61
Sicherung der Kleinkaliberbüchse	57	Abfallentsorgung	61
Entladen der Kleinkaliberbüchse	57	VERZEICHNIS DER BESTANDTEILE	62
Signalstiftfunktion	57	BEHEBUNG VON FUNKTIONSTÖRUNGEN	63
Funktion des Stechers	58	TECHNISCHE DATEN	64
Einstellen des Abzugs	58	VERZEICHNIS DER ABBILDUNGEN	65
Visierkorrektur	58		
Zielfernrohr	59		

## SICHERHEITSBESTIMMUNGEN

Beachten Sie, zu Ihrer und anderer Personen Sicherheit, folgende Sicherheitsbestimmungen.

1. Gehen Sie stets mit Ihrer Waffe so um, als ob sie geladen wäre.
2. Zielen Sie mit Ihrer Waffe nie auf etwas, worauf Sie nicht zu schießen beabsichtigen.
3. Glauben Sie niemandem, daß die Waffe nicht geladen ist.
4. Bevor Sie die Waffe ablegen oder an eine andere Person übergeben, überzeugen Sie sich immer davon, daß sie nicht geladen ist.
5. Bewahren Sie die Waffe ungeladen und mit abgezogener Schlagvorrichtung auf.
6. Verwenden Sie die Waffe nie zu anderen Zwecken als zum Schießen.
7. Lassen Sie gespannte und geladene Waffe nie ohne Aufsicht.
8. Überzeugen Sie sich vor dem Laden der Waffe, daß die Laufbohrung, Kammer und Verschluss sauber und Hindernislos sind. Falls die Waffe durch das Schießen verschmutzt ist, ist sie zu reinigen.
9. Nicht mit der Waffe schießen, wenn Sie sich nicht sicher sind, was für Munition Sie benutzen. Keine nicht gekennzeichnete oder wiedergeladene Munition unbekannter Herkunft, Munition mit geplatztter, deformierter oder eingebeulter Hülse oder beschädigte Munition benutzen. Das Wiederladen ist eine spezialisierte Tätigkeit und falsch geladene Munition kann extrem gefährlich sein. Folge können schwere Beschädigung oder die Zerstörung der Waffe und ernste Verletzungen oder Tod des Schützens oder auch weiterer Personen sein. Benutzen Sie nur saubere, trockene, fabrikmäßig hergestellte Originalmunition von hoher Qualität, in einem guten Zustand, die dem Kaliber Ihrer Waffe entspricht.
10. Vermeiden Sie vor und während des Schießens Genuss von Alkohol und nehmen Sie keine Drogen ein.
11. Tragen Sie beim Schießen, sofern es die Umstände ermöglichen, Gehörschutz und Schutzbrille.
12. Wenn die Waffe geladen ist, lassen Sie die Sicherung in der Stellung gesichert bis zu dem Zeitpunkt, an dem Sie schussbereit sind. Zielen Sie beim Entsichern in eine sichere Richtung.
13. Achten Sie darauf, dass niemand in Richtung der hinausgeworfenen Hülse im Wege steht.

14. Betätigen Sie nicht den Abzug und stecken Sie Ihre Finger nicht in den Abzugsschutz, wenn Sie nicht auf ein Ziel zielen und zum Schießen nicht bereit sind.
15. Bevor Sie den Abzug betätigen, kontrollieren Sie nochmals Ihr Ziel und den Raum hinter ihm. Das Geschoss kann durch Ihr Ziel hindurch oder auch an ihm vorbei noch einige hundert Meter weiterfliegen.
16. Schießen Sie nie auf eine harte Oberfläche, wie z.B. Stein, oder auf eine Wasseroberfläche.
17. Schießen Sie nicht, wenn sich in der Nähe ein Tier befindet, das auf diesen Lärm nicht dressiert ist.
18. Wenn Sie die Waffe in den Händen halten, unterlassen Sie alle "groben Scherze".
19. Beim Schussversagen: Im Fall eines Schussversagens halten Sie die Waffe weiter auf das Ziel oder in eine sichere Richtung gerichtet und warten Sie 30 Sekunden ab. Wenn es zu einer verzögerten Zündung gekommen ist, schießt die Patrone binnen 30 Sekunden ab. Falls der Schuss nicht eintritt, nehmen Sie die Patrone aus dem Lauf und kontrollieren sie. Wenn der Abdruck des Zünders auf der Patrone schwach oder kein ist, lassen Sie die Waffe von einem Fachmann vor weiterem Schießen überprüfen.
20. Nicht verschossene Munition aus der Waffe nehmen und sicher gemäß gesetzlicher Vorschriften lagern. Überzeugen Sie sich immer vor Reinigen, Lagern, oder Transportieren, dass Ihre Waffe nicht geladen ist.
21. Bewahren Sie Waffe und Munition in einem abgetrennten und verschlossenen Raum auf, außer Reichweite und Sicht von Kindern und Unbefugten. Munition immer vor Wärmequellen und offenem Feuer schützen.
22. Bewahren Sie Waffe und Munition in einem abgetrennten und verschlossenen Raum auf, außer Reichweite und Sicht von Kindern und Unbefugten.
23. Ändern Sie nie etwas an den Waffenbestandteilen. Sie können dadurch die richtige Funktion der Waffe oder deren Sicherheit in ernsthafter Weise beeinträchtigen.
24. Denken Sie daran, daß Korrosion, der Gebrauch von defekter Munition, das Aufprallen der Waffe auf eine harte Oberfläche oder anderweitiges "grobes Umgehen" eine Beschädigung herbeiführen kann, die auf den ersten Blick nicht erkennbar sein muß. Kommt es zu etwas derartigem, lassen sie die Waffe von einem Fachmann überprüfen.

**FACHAUSDRÜCKE UND BESCHREIBUNG DER KLEINKALIBERBÜCHSE**

Die in dieser Anleitung verwendeten Bezeichnungen der grundlegenden Waffenbestandteile sind in Abbildung 1 auf der Innenseite des Umschlages angeführt. Namen aller Bestandteile der Kleinkaliberbüchse sind im Kapitel *Verzeichnis der Bestandteile* angeführt.

Die Kleinkaliberbüchsen CZ 452 ZKM und CZ 453 sind klassische robust konstruierte Repetierwaffen, die in einigen Ausführungen hergestellt werden. Zu den charakteristischen Eigenschaften aller Ausführungen gehören:

- gute Auswuchtung der Waffe, die schlagfertiges und einfaches Visieren gewährleistet
- in breitem Schußweitereich einstellbares Klappvisier
- leichter Aufbau des Zielfernrohres
- leichte Bedienung und gut zugängliche Bedienungsteile, die auch in der linkshändigen Ausführung hergestellt werden
- einstellbarer Abzugswiderstand
- Schlagvorrichtung mit Signalisierung für Spannen
- leichte Demontage für Reinigung und laufende Wartung, die ohne Werkzeugen durchführbar ist
- hohe Treffergenauigkeit
- hohe Lebensdauer
- hohe Zuverlässigkeit unter allen Gebrauchsbedingungen und auch beim Gebrauch unterschiedlicher, von verschiedenen Herstellern gefertigte Munition, mit verschiedenen Geschosßarten
- Befestigungsmöglichkeit für Still oder Parker Hale Schalldämpfer (nur auf besondere Forderung in Territorien, wo es legislativ erlaubt ist)
- CZ 453 ist mit einem komplett einstellbaren Abzugsmechanismus einschließlich Stecher ausgerüstet

## BEDIENUNGSANLEITUNG

CZ 452	Kaliber				Oberflächenveredelung		Abzug mit Stecher	Beschreibung
	.22 LR	.22 WMR	.17 HMR	.17 HM2	brüniert	vernickelt		
Standard	✓	✓	✗	✗	✓	✗	✗	Buchenbaumholzschaft
Lux	✓	✓	✗	✗	✓	✓	✗	Nußbaumholzschaft, auf dem Griff durch die Fischhaut geraht
Style	✓	✗	✓	✗	✗	✓	✗	Plastschaft, Metallteile vernickelt und schwarz gefärbt
Silhouette	✓	✗	✓	✗	✓	✗	✗	Plastschaft, die Ausführung der KK-Büchse entspricht der Forderungen der IMSSA Schützenregeln
FS	✓	✓	✓	✗	✓	✗	✗	Nußbaumholzvollschaft, auf dem Griff durch die Fischhaut geraht
Scout	✓	✗	✗	✗	✓	✗	✗	Ausführung bestimmt für Jugend
American	✓	✓	✓	✓	✓	✓	✗	Die Ausführung ist der Marktforderungen von USA und Australien angepasst - ohne Visiereinrichtungen
Varmint	✓	✗	✓	✓	✓	✗	✗	Schwerer Lauf, Schaft mit der niedrige Gummikappe - ohne Visiereinrichtungen

## BEDIENUNGSANLEITUNG

<b>CZ 453</b>	Kaliber			Oberflächenveredelung		Abzug mit Stecher	Beschreibung
	.22 LR	.17 HMR	.17 HM2	brüniert	vernickelt		
American	✓	✓	✓	✓	✘	✓	Die Ausführung ist der Marktforderungen von USA und Australien angepasst - ohne Visiereinrichtungen
Varmint	✓	✓	✓	✓	✘	✓	Schwerer Lauf, Schaft mit der niedrige Gummikappe - ohne Visiereinrichtungen



**GEBRAUCHSANWEISUNG****Munition**

Immer Munition zulässiger Produktionsausführung, die die Normen für Munitionshersteller erfüllen und von der C.I.P. (Ständige Internationale Kommission für die Prüfung von Handfeuerwaffen), bzw. SAAMI (amerikanische Norm für Waffen und Munition) genehmigt sind. Der Gebrauch von anderen Patronen kann Waffenbeschädigungen oder Verletzungen des Schützen verursachen. Bei der Benutzung von Fabrikmunition mit Standardgeschwindigkeit ist die Benutzung der Waffen der Česká zbrojovka a.s. sicher. Kontrollieren Sie die Munition, die Sie benutzen wollen, damit Sie die Sicherheit haben, dass sie dem Kaliber Ihrer Waffe entspricht. Bei kommerziell produzierter Munition ist auf jeder Patrone das Kaliber klar auf dem Boden oder am Bodenrand gekennzeichnet.

**Herausnehmen des Magazins**

Drücken Sie den Magazinschnapper, der hinter dem Magazin angebracht ist, nach vorne (Abb. 2) und nehmen Sie das Magazin (die Zubringereinlage) aus der Waffe heraus.

**Füllen des Magazins**

Greifen Sie das Magazin, mit der Magazinmündung nach oben gerichtet, in die Hand. Legen Sie die Patrone mit dem Bodenpropfen auf die Vertiefungsstelle des Zubringers auf der Magazindüse und drücken Sie sie hinab und nach unten, bis zu Magazinhinterwand. Die nächste Patrone legen Sie auf die vorherige und stecken Sie sie auf die gleiche Weise ein.

**Laden der Kleinkaliberbüchse**

**BEIM LADEN IST DIE WAFFE IMMER IN EINE SICHERE RICHTUNG ZU ZIELEN!**

Schieben Sie das volle Magazin in die Waffe ein und überzeugen Sie sich davon, daß es durch den Magazinschnapper eingerastet ist.

Greifen Sie die Kleinkaliberbüchse mit der linken Hand am Vorderschaft, lehnen Sie die Kolbenkappe an den Körper und greifen Sie mit der rechten Hand den Verschlussgriff. Erschließen Sie den Verschluss durch eine Umdrehung des Griffes nach oben und durch dessen Aufschieben nach hinten bis zum Anschlag. Verschieben Sie den Verschluss durch eine stetige Bewegung erneut nach vorne und schließen

Sie den Verschluss durch eine Umdrehung des Griffes nach unten. Dadurch wird die Patrone in die Kammer eingeschoben und das Schlagmechanismus wird eingespannt. Jetzt ist die Waffe Schußbereit. Im Fall, daß Sie nicht unmittelbar schießen beabsichtigen, sichern Sie sie auf die, in der Kapitel *Sicherung der Kleinkaliberbüchse*, angeführte Weise.

Falls Sie die Zubringereinlage verwenden, lassen Sie diese in der Waffe eingeschoben, erschließen Sie den Verschluss und legen Sie die Patrone auf den Zubringer. Bei weiteren Schritten gehen Sie wie beim Verwenden eines Magazins vor. Die Zubringereinlage ist bestimmt für das genaueste Schießen, weil sie die Geschosse beim Zubringen den Patronen vor Beschädigungen schützt.

### **Sicherung der Kleinkaliberbüchse**

Verschieben Sie die Sicherung nach vorne in die gesicherte Lage (Abb. 3), bis der rote Punkt verdeckt wird. Dadurch wird der Abzugsmechanismus sowie der Verschluss blockiert. Jetzt können Sie keinen Schuß abfeuern und eine Handhabung mit dem Verschluss ist auch unmöglich.

### **Entladen der Kleinkaliberbüchse**

ZIELEN SIE IN EINE SICHERE RICHTUNG!

- nehmen Sie das Magazin auf oben beschriebenen Weise heraus
- entsichern Sie die Sicherung, um den Verschluss erschließen zu können
- erschließen Sie den Verschluss und überzeugen Sie sich davon, daß die Patrone aus der Kammer gezogen und ausgeworfen wurde
- schließen Sie den Verschluss
- betätigen Sie den Abzug (Sicherheitsschuß)

### **Signalstiftfunktion**

Das Spannen des Schlagmechanismus wird durch den Schlagbolzen angekündigt. Falls der Schlagmechanismus gespannt ist, steht der hintere Teil des Schlagbolzens über Schlagbolzenfederstütze vor. Das Vorstehen ist sichtbar und greifbar.

### Funktion des Stechers

Ziehen Sie den Stecher durch Zudrücken des Abzugs nach vorne auf (Abb. 4). Ziehen Sie ihn aus den Sicherheitsgründen erst auf, nachdem die Waffe geladen wurde und unmittelbar vor dem Schießen. Tragen Sie die Waffe nie mit einem aufgezogenen Stecher! Falls Sie schon den Stecher aufgezogen haben, allerdings der Schießgrund verging, zielen Sie in eine sichere Richtung, sichern Sie die Sicherung und lösen Sie den Stecher aus. Entladen Sie dann die Kugelbüchse auf die oben beschriebene Weise.

### Einstellen des Abzugs

Das Einstellen des Abzugswiderstands bei CZ 452 ZKM wird mit einer Verstellmutter nach Abnahme des Schaftes durchgeführt (Abb. 5).

CZ 453 ermöglicht den Abzugswiderstand und den Abzugsweg vor und nach dem Abschuss einzustellen (Abb. 6). Die Einstellung wird, nachdem Sie den Schaft herabgenommen haben, mit den Verstellerschrauben A (Widerstand), B (Bahn vor) und C (Bahn nach dem Schießen) durchgeführt.

Falls die Kleinkaliberbüchse mit einem Stecher ausgestattet ist, wird seine Einstellung durch die, vor dem Abzug angebrachte Schraube, durchgeführt (Abb. 7). Stellen Sie den Stecher aus Sicherheitsgründen nicht auf allzu kurzen Weg, weil die Erschütterungen bei der Manipulation mit der Waffe einen unbeabsichtigten Schuss auslösen könnten. Prüfen Sie die Sicherheitseinstellung des Stechers mit einer ungeladenen Kugelbüchse, durch wiederholtes Erschließen und Schließen des Verschlusses, kombiniert mit Sichern und Entsichern der Sicherung, nach. Bei diesem Vorgehen darf es nicht zu einem eigenwilligen Schuss kommen.

Hinweis: Es ist möglich, den Stecher aus der Waffe auszubauen, ohne dass die Funktion oder Einstellung des eigenen Abzuges dadurch beeinflusst wurde.

### Visierkorrektur

Das Klappvisier der CZ 452-2E ZKM Kleinkaliberbüchse ist mit jeweils für 25 m abgestuften Teilstrichen für eine Schußweite von 25 bis 200 m ausgestattet. Die Kleinkaliberbüchse wurde im Herstellerbetrieb auf eine Entfernung von 50 m eingeschossen.

Die erforderliche Schußweite wird durch eine Verschiebung des Schiebers, nach dem Drücken des Druckknopf, erreicht. Die Seitenkorrektur ist durch lockern der Schraube auf der Seite des Kimmenblattes, auf die Sie die Treffschüsse verschieben beabsichtigen

und durch Anziehen der Schraube an der anderen Seite (Abb. 8) durchführbar. Eine Umdrehung der Schraube stellt eine Verschiebung des Zielpunktes in der Entfernung von 50 m um 5 cm dar. Die Höhenkorrektur wird durch Verschieben des Kornes in der Kornfußnut möglich. Das Korn ist gegen Verschiebung durch eine Schraube gesichert, entlang der Nut sind Hilfsstriche eingeschlagen. Die Abschiebung des Kornes um einen Strich, stellt eine Verschiebung des Zielpunktes in der Entfernung von 50 m um 1,5 cm dar.

Bei der Ausführung CZ 452 ZKM Scout wird die Seitenkorrektur durch Verschieben des Kornes in der Quernut durchgeführt und durch den Körner wird sie gesichert. Die Höhenkorrektur wird durch Verschiebung des Schiebers über die Visierklappe durchgeführt (Abb. 9). Verschieben um eine Stufe stellt eine Verschiebung des Zielpunktes in der Entfernung von 50 m um 1,25 cm dar.

CZ 453 wird in Ausführung ohne Visiereinrichtung hergestellt.

### **Zielfernrohr**

Aufbau des Zielfernrohres und das Waffenanschießen empfehlen wir einer Fachwerkstätte anzuvertrauen.

### **PFLEGEANWEISUNG**

#### **Zerlegen zur Reinigung**

1. Nehmen Sie das Magazin heraus.
2. Entsichern Sie die Sicherung, um mit dem Verschluss bewegen zu können.
3. Erschließen Sie den Verschluss und nach dem Sie den Abzug bis zum Anschlag gedrückt haben, ziehen Sie ihn aus der Waffe heraus.

#### **Demontage des Verschlusses**

1. Auf der oben beschriebenen Weise nehmen Sie den Verschluss aus der Waffe heraus.
2. Greifen Sie fest den Verschlusskörper und drehen Sie mit dem Spanngriff nach rechts (wie beim Schließen des Verschlusses in der Waffe). Dadurch wird die Schlagbolzenfeder locker.

3. Legen Sie die Schlagbolzenfederstütze auf einen geeigneten festen Gegenstand (Abb. 10) und drücken Sie sie etwa in den Verschluss zu. Gleichzeitig nehmen Sie die Sicherung heraus.
4. Nach dem Herausnehmen der Sicherung, lösen Sie vorsichtig den Verschluss und halten Sie die Schlagbolzenfederstütze. Bei diesem Vorgehen ist äußerste Vorsicht geboten, weil die Stütze durch die Kraft der Schlagbolzenfeder vorgeschleunigt werden kann und kann sie dadurch Verletzungen verursachen oder verloren gehen.

**HINWEIS:** Demontieren Sie keine weitere Waffenteile. Wenn Sie der Meinung sind, die Waffe brauche Nachstellung oder Reparatur, vertrauen Sie sie in Hände einer Fachwerkstätte an!

### **Reinigung der Waffe**

Die Waffe ist zu reinigen:

- nach jedem Gebrauch
- immer wenn die Waffe feucht wird
- möglichst bald nach dem Schießen
- unter milden klimatischen Bedingungen mindestens einmal pro Jahr
- unter rauen klimatischen Bedingungen mindestens einmal pro Monat

### **Reinigung von Laufbohrung und Patronenkammer**

Wenn aus der Waffe nicht geschossen wurde oder nur wenige Patronen abgefeuert wurden, genügt für die Reinigung von Laufbohrung und Patronenkammer ein trockenes, am Putzstock befestigtes Läppchen. Die Lappen sind solange zu wechseln, bis das letzte Stück sauber ist.

Falls die Bohrung stark verschmutzt ist, tragen Sie mit der Bürste in sie und in die Kammer Reinigungslösung auf und lassen Sie die Lösung ca. 10 Minuten einwirken (die Einwirkungszeit kann sich bei verschiedenen Reinigungsmitteln unterscheiden). Putzen Sie dann die Laufbohrung mit einer Bürste gründlich aus. Trocknen Sie Bohrung und Kammer mit sauberem Lappen aus und kontrollieren Sie, ob alle Verbrennungsrückstände beseitigt worden sind. Im Bedarfsfall ist das Vorgehen zu wiederholen.

Schieben Sie den Putzstock sowie die Bürste in den Lauf von der Kammer her ein, um die Laufmündung nicht zu beschädigen. Drücken Sie die Bürste so lange durch den gesamten Lauf durch, bis die Bewegungsrichtung nicht verändert wird. Falls die Bewegungsrichtung mit der Bürste im Lauf wechseln würde, könnte sich die Bürste im Lauf spreizen.

### **Reinigung der anderen Waffenteile**

Die anderen Metallteile der Waffe reinigen Sie mit einem trockenem Lappen, einer alten Zahnbürste, einer Messingbürste oder einem Holzschaber. Bei der Reinigung können Sie auch Konservierungsöl oder Petroleum benutzen. Benutzen Sie aber niemals die, für die Laufbohrungsreinigung bestimmte Lösung! Die könnte in den Fugen zurückbleiben und auf längere Sicht eine Korrosion verursachen. Überzeugen Sie sich, daß keine Reste vom Läppchen oder Bürsteborsten in einem Waffenteil zurückgeblieben sind.

Die Schaftpflege ist mit einem trockenen Lappen oder einem von den Möbelpoliermitteln durchzuführen.

### **Konservierung**

Wenn Laufbohrung, Patronenkammer und alle zugänglichen Bestandteile sauber und trocken sind, wischen Sie diese Teile mit einem in Konservierungsöl getränkten Lappen aus oder verwenden Sie Ölspray. Wischen Sie die Ölreste ab. Wischen Sie die Bohrung vor dem Schießen immer trocken aus. Falls Sie die Waffe bei niedrigen Temperaturen benutzen, beseitigen Sie das Öl aus allen zugänglichen Teilen oder verwenden Sie speziell für diese Bedingungen bestimmte Schmiermittel.

Das Konservierungsfett benutzen Sie nur für eine langfristige Lagerung unter schlechten klimatischen Bedingungen. Vor Gebrauch der Waffe ist das Konservierungsfett allerdings gründlich zu beseitigen.

### **Abfallentsorgung**

Produkt- und Verpackungsmaterialien haben bei richtiger Benutzung keine negativen Auswirkungen auf die Gesundheit des Menschen oder auf die Umwelt. Im Bedarfsfall der Entsorgung des Produkts oder seiner Verpackung gilt, dass Metallbestandteile (Stahl und Buntmetalle), Kunststoffe, Holz, Papier und Karton getrennt in den dafür bestimmten Sammelbehälter zu sammeln sind.

## VERZEICHNIS DER BESTANDTEILE

1 Lauf	28 Abzugsbolzen	55 Unterlage für Abzugsbügel	86 Abzugsbolzen
2 Korn	29 Abzugsstangebolzen	56 Abzugsbügelschraube (2x)	87 Sicherungsring (2x)
3 Kornschraube	30 Abzugsstange	57 hintere Verbindungsschraube	88 Stecherhebelfeder
4 Kornschutz	31 Abzugsstangemutter	58 Magazinehäuse	89 Stecherhebel
5 Kornfuß	32 Abzugsfederunterlage	59 Zubringer	90 Abzugsverstellungsschraube (B)
6 Visierklappe	33 Abzugswiderstandfeder	60 Zubringerfeder	91 Silonschnur (2x)
7 Visierklappfeder	34 Verschlussführung	61 Magazinboden	92 Bolzen
8 Kimmenblatt	35 Verschluss	62 Magazinbodenhalter	93 Abzugswiderstandfeder
9 Visierschraube (2x)	36 Auszieher	63 Feder für Magazinbodenhalter	94 Abzugshalter
10 Schieber	37 Patronenhalter	64 Magazinehäuse	95 Regelungsschraube des Widerstandes (A)
11 Visierdrücker	38 Auszieherfeder	65 Zubringer	96 Sicherungsmutter
12 Drückerfeder	39 Sicherung	66 Zubringerfeder	97 Sicherungsmutter
13 Visierfuß	40 Verschlussgriff	67 Einlagekörper	98 Verstellungsschraube für Verfall (C)
14 Visierfußstift	41 Schlagbolzen	72 Lauf	99 Abzugshebel
15 Verschlussgehäuse	42 Schlagbolzenfeder	73 Korn	100 Verstellungsschraube des Stechers
16 Magazineführung	43 Schlagbolzenfederstütze	74 Kornschutz	101 Fassung
17 vordere Schraube der Magazineführung	44 Schaft	75 Kimmenblatt	102 Fassungsschraube
18 hintere Schraube der Magazineführung	45 Kappe	76 Visierfuß	103 Fassungsmutter
19 Magazinschnapper	46 Kappenschraube (2x)	77 Niete	104 Zylindermutter
20 Magazinschnapperfeder	47 vordere Verbindungsschraube	78 Schieber	105 Magazinehäuse
21 Magazinschnapperbolzen	48 Unterlage für vordere Verbindungsschraube	79 Abzugsmechanismushalter	106 Magazinbodenhalter
22 Abzugsgriff	49 Riemenbügel - Komplet	80 Schlagbolzenschnapper	107 Magazinboden
23 Stahlkugel	50 Riemenbügelschraube	81 Schlagbolzenanschlag	108 Zubringerfeder
24 Abzugsgrifffeder	51 Riemenbügel	82 Anschlagfeder	109 Zubringer
25 Abzugsfederbolzen	52 Schraube	83 Vorderschraube des Halters	
26 Abzug	53 fedrige Unterlage	84 Hinterschraube des Halters	
27 Abzugsniete	54 Abzugsbügel	85 Abzugsfeder	

## BEHEBUNG VON FUNKTIONSSTÖRUNGEN

Bei einer richtigen Handhabung und Instandhaltung ist die Wahrscheinlichkeit einer Störung minimal. Sollte trotzdem diese Situation eintreten, so richten Sie sich nach folgenden Anweisungen.

**ACHTUNG** - falls es beim Schießen zu einer Funktionsstörung kommt, so erhöht sich die Wahrscheinlichkeit eines unbeabsichtigten Schusses außerordentlich. Halten Sie daher beim Beheben der Störung konsequent die oben angeführten Sicherheitsbestimmungen ein. Zielen Sie ständig in eine sichere Richtung, richten Sie die Waffe nie gegen sich oder gegen andere Personen, kommen Sie mit den Händen nicht vor die Laufmündung!

Störung	Wahrscheinliche Ursache	Behebung
Die Patrone wird nicht in die Kammer zugeführt.	Das Magazin ist nicht vollständig eingeschoben oder ist beschädigt. Die Waffe oder die Patronen sind verunreinigt oder zu stark gefettet.	Schieben Sie das Magazin ordnungsgemäß ein oder verwenden Sie ein anderes. Reinigen Sie die Waffe und die Patronen, bis sie trocken sind, fetten Sie sie gegebenenfalls leicht ein.
Zündversager.	Die verwendete Patrone ist defekt. Verunreinigte Öffnung für den Zünder oder ungeeignetes Schmiermittel bei niedriger Umgebungstemperatur.	Gehen Sie nach Punkt 19 der Sicherheitsbestimmungen vor. Bauen Sie den Zünder ab und reinigen Sie ihn, verwenden Sie gegebenenfalls ein Schmiermittel für niedrige Temperaturen.
"Schwacher Schuß", bei dem die Patronenhülse nicht ausgeworfen wird.	Die Patrone wurde aktiviert, aber in der Patronenhülse war kein Pulver.	Entladen Sie die Waffe und überzeugen Sie sich, ob das Geschoß nicht im Lauf steckengeblieben ist. Ein eventueller weiterer Schuß könnte den Lauf ernsthaft beschädigen!
Kein Auswerfen.	Verunreinigte Patronenkammer, Auszieher oder Munition, gegebenenfalls ungeeignetes Schmiermittel bei niedriger Umgebungstemperatur.	Reinigen Sie die Waffe, bis sie trocken ist, fetten Sie sie gegebenenfalls leicht mit geeignetem Schmiermittel ein. Verwenden Sie neue saubere Munition.

Falls die Störung auf keine oben angegebene Weise behoben werden kann, so vertrauen Sie die Waffe einer Fachwerkstätte zur Durchsicht und Reparatur an.



**TECHNISCHE DATEN**

Modell	Standard, Lux	Style, Silhouette	FS	Scout	American	Varmint
Kaliber	.22 LR .22 WMR	.22 LR .17 HMR	.22 LR .22 WMR .17 HMR	.22 LR	.22 LR .22 WMR .17 HMR .17HM2	.22 LR .17 HMR .17HM2
Gesamtlänge [mm]	1083	1035	995	830	1020	998
Lauflänge [mm]	630	572	527	412	572	532
Visierlänge (mit geöffneten Visiereinrichtungen) [mm]	508	-	410	320	-	-
Gewicht (ohne Patronen) [kg]	3	2,7	2,9	1,8	2,8	3,2
Magazinkapazität [Patronen]	<b>.22 LR: 5/10/1 - .22 WMR: 5 - .17 HMR: 5 - .17 HM2: 5</b>					
Abzugswiderstand einstellbar im Bereich * [N]	14 - 18					
Abzugswiderstand mit gespanntem Stecher [N]	4 - 7					

\* Kleinkalibergewehre in der Ausführung Silhouette haben den Abzugswiderstand im Bereich von 11 - 14 N einstellbar

**VERZEICHNIS DER ABBILDUNGEN**

1. Terminologie der Hauptteile
2. Magazinabbau
3. Sicherung in der entsicherten Lage, der Pfeil zeigt die Sicherungsrichtung
4. Spannen des Stechers
5. Einstellen des Abzugswiderstandes bei CZ 452 ZKM
6. Einstellen des Abzugs bei CZ 453 (A - Abzugswiderstand, B - Bahn vor dem Schießen, C - Bahn nach dem Schießen)
7. Verstellerschraube des Stechers
8. Visierklappe mit Schieber, Kimmenblatt und mit Schrauben für Seitenkorrektur
9. Ansicht auf das Visier bei der Ausführung Scout
10. Ausbau des Verschlusses

Der Hersteller behält sich das Recht vor, Änderungen vorzunehmen, die er für unerlässlich zur Verbesserung seiner Modelle hält, oder um fertigungstechnischen oder geschäftlichen Anforderungen nachzukommen.

**Avant de commencer toute manipulation avec votre arme, veuillez prendre connaissance du présent mode d'emploi et surtout des instructions de sécurité suivantes.**

Toute manipulation imprudente ou incorrecte peut provoquer un tir involontaire, ayant pour conséquence possible des blessures, la mort ou des dégâts matériels. Les mêmes conséquences peuvent s'ensuivre lors de modifications non autorisées, de corrosion ou de munitions non spécifiques ou endommagées. Dans ces cas, le fabricant ne prendra aucune responsabilité sur les dommages survenus.

Cette arme a été, avant son expédition dans le réseau de vente, testée, examinée avec précautions et emballée. CZ ne peut toutefois contrôler les manipulations survenues après son départ de l'usine. C'est pourquoi nous recommandons, lors de l'achat de l'arme, de contrôler si elle n'est pas chargée ou endommagée.

La présente brochure doit toujours accompagner l'arme, même si vous la prêtez à une tierce personne ou si vous la revendez.

## TABLE DES MATIÈRES

CONSIGNES DE SÈCURITÉ	67	INSTRUCTIONS D'ENTRETIEN	75
TERMINOLOGIE ET DESCRIPTION DE LA		Démontage de nettoyage	75
CARBINE DE PETIT CALIBRE	69	Démontage de la culasse	75
INSTRUCTIONS D'UTILISATION	72	Nettoyage de l'arme	76
Munitions	72	Nettoyage du canon et de la chambre	76
Extraction du chargeur	72	Nettoyage des autres parties de l'arme	77
Remplissage du chargeur	72	Conservation	77
Chargement de la carabine	72	Traitement des déchets	77
Sécurité de la carabine	73	LISTE DES PIÈCES	78
Déchargement de la carabine	73	DÉRANGEMENTS	79
Fonction de l'indicateur d'armement	73	DONNÉES TECHNIQUES	80
Fonction de détente à stocher	74	LISTE DES FIGURES	81
Réglage de la détente	74		
Organes de visée	74		
Lunette de visée	75		

**CONSIGNES DE SÉCURITÉ**

Respectez en tout temps les consignes de sécurité suivantes, pour votre sécurité et pour la sécurité des autres personnes.

1. Toujours manipuler l'arme comme si elle était chargée.
2. Ne pointez votre arme, chargée ou déchargée, que sur la cible désignée.
3. Ne jamais croire personne déclarant que l'arme n'est pas chargée.
4. Avant de ranger l'arme ou de la remettre à une autre personne, toujours s'assurer que l'arme n'est pas chargée.
5. Maintenir l'arme déchargée et le mécanisme de percussion désarmé.
6. Ne jamais utiliser l'arme pour des agissements autres que le tir.
7. Ne jamais laisser l'arme chargée et armée sans surveillance.
8. Avant de charger l'arme, s'assurer que l'intérieur du canon, la chambre et la culasse sont propres et libres. Nettoyer l'arme le plus tôt possible après le tir.
9. Ne jamais tirer avec l'arme si vous n'êtes pas certains des munitions que vous utilisez. Ne jamais utiliser de munitions qui ne seraient pas identifiées, qui auraient été manuellement chargées et dont vous ne connaissez pas l'origine. Ne pas utiliser de munitions lorsque les cartouches sont fissurées, déformées ou écrasées, ni de munitions montrant des traces de détérioration. La recharge est une opération spécialisée, devant être réalisée par un spécialiste et toute cartouche ayant été incorrectement (mal) rechargée peut devenir extrêmement dangereuse. Leur utilisation peut être synonyme de détérioration/destruction de votre arme et de blessures graves, voire même mortelles. Utiliser uniquement des munitions propres, sèches et originales, fabriquées en usine, en bon état et de calibre correspondant à votre arme.
10. Avant et pendant le tir, ne jamais consommer des boissons alcooliques ou des drogues.
11. Lors du tir, si les conditions le permettent, utiliser une protection de l'ouïe et des lunettes de tir.
12. Lorsque l'arme est chargée, laisser la sûreté engagée jusqu'à ce que vous soyez prêt à tirer. Lors du déverrouillage de la sûreté, tenir l'arme orientée vers un lieu sûr.

13. Veuillez à ce qu'il n'y a personne dans la direction de la douille éjectée.
14. Ne jamais mettre le doigt sur la détente ou dans le pontet si vous ne visez pas la cible ou si vous n'êtes pas prêt à tirer.
15. Avant d'appuyer sur la détente, contrôler encore une fois la cible et l'espace situé derrière la cible. La balle peut en effet traverser la cible ou la manquer et porter à plusieurs centaines de mètres.
16. Ne jamais tirer sur la surface de l'eau ni sur une surface dure, par exemple de la pierre.
17. Ne jamais utiliser l'arme à proximité d'animaux qui ne sont pas habitués à ce bruit.
18. Ne jamais se permettre de faire des « blagues » en tenant l'arme en mains.
19. Raté lors du tir : Lors d'un raté, attendre 30 secondes en dirigeant l'arme en direction de la cible ou vers un lieu sûr. Si l'amorçage est retardé, la cartouche doit tirer dans les trente secondes. Si le tir n'a pas lieu, enlever la cartouche du canon et la contrôler. Si la trace du percuteur est faible ou absente, remettre l'arme à un armurier qualifié pour qu'il la contrôle et ce, avant de procéder au prochain tir.
20. Avant de nettoyer, de ranger ou de transporter l'arme, toujours s'assurer qu'elle n'est pas chargée. Retirer de l'arme toutes les cartouches n'ayant pas été tirées et les ranger ensuite conformément à la législation en vigueur.
21. Ranger l'arme et les munitions dans des lieux séparés, fermés à clef et hors de portée des enfants et des personnes non autorisées. Toujours protéger les munitions contre les sources de chaleur et les flammes vives.
22. Ranger l'arme et les munitions dans un lieu séparé, fermé à clef et hors de portée des enfants et des personnes non autorisées.
23. Ne jamais modifier aucune pièce de l'arme. Ceci peut influencer son bon fonctionnement et sa sécurité.
24. Avoir en mémoire que la corrosion, l'utilisation des cartouches endommagées, la chute de l'arme sur une surface dure ou toute autre manipulation rude peut être à la source des dommages qui ne sont pas visibles à première vue. Si une telle situation apparaît, laisser contrôler l'arme par un spécialiste.

**TERMINOLOGIE ET DESCRIPTION DE LA CARABINE DE PETIT CALIBRE**

Les appellations des parties essentielles de la carabine de petit calibre utilisées dans cette mode d'emploi sont reprises sur la figure 1 du côté intérieur en enveloppe. La liste des pièces de la carabine est reprise intégralement dans le chapitre "*Liste des pièces*".

Les carabines de petit calibre CZ 452 ZKM et CZ 453 sont des armes classiques à répétition, de construction robuste. Elles sont fabriquées en plusieurs versions. Parmi les caractéristiques essentielles de toutes les versions, citons:

- la bonne balance de l'arme garantit une visée rapide et facile
- hausse basculante réglable sur toute l'étendue de la portée
- montage facile de la lunette de visée
- organes de commande faciles et bien accessibles, disponibles aussi pour les gauchers
- poids de la détente réglable
- indication de l'armement du mécanisme de percussion
- démontage de nettoyage et d'entretien courant facile et sans aucun outillage
- haute précision de tir
- longue durée de vie
- haute fiabilité en toutes circonstances même en utilisant des munitions de production et de types des balles différents
- possibilité de montage d'un silencieux Still ou Parker Hale (optionnelle sur demande spéciale pour territoires où la législation l'autorise)
- CZ 453 est équipée avec le mécanisme de détente complètement réglable, inclusivement stecher

**MODE D'EMPLOI**

CZ 452	Calibre				Traitement de surface		Détente à stecher	Description
	.22 LR	.22 WMR	.17 HMR	.17 HM2	bronzé	nickelé		
Standard	✓	✓	✗	✗	✓	✗	✗	Crosse en hêtre
Lux	✓	✓	✗	✗	✓	✓	✗	Crosse en noyer, quadrillée aux points de tenue
Style	✓	✗	✓	✗	✗	✓	✗	Crosse en matière plastique, parties métalliques nickelées ou bronzées
Silhouette	✓	✗	✓	✗	✓	✗	✗	Crosse en matière plastique; ce type répond aux exigences des règles de tir IMSSA
FS	✓	✓	✓	✗	✓	✗	✗	Crosse en noyer, quadrillée aux points de tenue, fût long
Scout	✓	✗	✗	✗	✓	✗	✗	Modèle destiné à la jeunesse
American	✓	✓	✓	✓	✓	✓	✗	Modèle adapté aux exigences du marché américain et australien, sans organes de visée fixes
Varmint	✓	✗	✓	✓	✓	✗	✗	Canon lourd, crosse avec plaque de couche basse en caoutchouc, sans organes de visée fixes

MODE D'EMPLOI

CZ 453	Ráže			Traitement de surface		Détente à stecher	Description
	.22 LR	.17 HMR	.17 HM2	bronzé	nickelé		
American	✓	✓	✓	✓	✗	✓	Modèle adapté aux exigences du marché américain et australien, sans organes de visée fixes
Varmint	✓	✓	✓	✓	✗	✓	Canon lourd, crosse avec plaque de couche basse en caoutchouc, sans organes de visée fixes



## INSTRUCTIONS D'UTILISATION

### Munitions

Toujours utiliser des munitions dont la production est autorisée, qui satisfont aux normes en vigueur en termes de munitions et qui ont été approuvées par l'organisation CIP (Commission internationale permanente pour les épreuves d'armes et munitions) ou SAAMI (Standard américaine pour les armes et munitions). L'utilisation d'autres munitions peut être source de dommages à l'arme ou de blessures pour le tireur. Si vous utilisez des munitions d'usine ayant une vitesse standard, l'utilisation des armes de la société Česká zbrojovka a.s. est sûre. Toujours vérifier les munitions que vous envisagez d'utiliser, ceci afin d'être certains qu'elles correspondent au calibre de votre arme. Sur toutes les cartouches fabriquées dans un but commercial, le calibre sera clairement indiqué sur le fond de la cartouche, éventuellement autour du fond de la cartouche.

### Extraction du chargeur

Appuyer sur l'arrêtoir du chargeur placé devant ce dernier vers l'arrière (figure 2) et enlever le chargeur (le guide de chargement) hors de l'arme.

### Remplissage du chargeur

Tenir le chargeur avec l'ouverture vers le haut. Déposer la cartouche par le fond de la douille sur l'élévateur dans la partie enfoncée au bec du chargeur, enfiler la cartouche en la pressant vers le bas et vers l'arrière jusqu'à ce qu'elle touche la butée du chargeur. Répéter l'opération de la même manière avec la cartouche suivante en la posant sur la cartouche précédente.

### Chargement de la carabine

**PENDANT LE CHARGEMENT TENIR L'ARME DIRIGÉE VERS UN LIEU SÛR!**

Insérer le chargeur plein dans l'arme et s'assurer que l'arrêtoir du chargeur s'est bien engagé.

Tenir l'arme de la main gauche par le devant en appuyant la plaque de couche sur le corps et par la main droite saisir le levier de culasse. Ouvrir la culasse en tournant le levier vers le haut et le tirer vers l'arrière jusqu'à la butée. D'un mouvement couramment, ramener

la culasse mobile vers l'avant et la verrouiller en tournant le levier vers le bas. Ce mouvement insère une cartouche dans la chambre et arme le mécanisme de percussion. L'arme est ainsi préparée pour le tir. Si vous n'allez pas tirer immédiatement, engager la sûreté selon le paragraphe *Sécurité de la carabine*.

En cas d'utilisation du guide de chargement, laisser ce dernier dans l'arme, ouvrir la culasse et déposer la cartouche sur le guide. Plus loin continuer en tant qu'employer le chargeur. Ce guide de chargement est destiné au tir de précision en protégeant la balle de tout dommage lors des opérations de chargement.

### **Sécurité de la carabine**

Déplacer la sûreté vers l'avant dans la position verrouillée (figure 3) jusqu'à ce que le point rouge soit caché. Ceci bloque le mécanisme de détente et la culasse mobile, donc il n'est possible ni de tirer, ni de déplacer la culasse mobile.

### **Déchargement de la carabine**

TENIR L'ARME DIRIGÉE VERS UN LIEU SÛR!

- enlever le chargeur comme décrit ci-dessus
- désactiver la sûreté pour pouvoir ouvrir la culasse
- ouvrir la culasse et s'assurer que la cartouche a été extraite et éjectée de la chambre
- refermer la culasse
- appuyer sur la détente (coup de sécurité)

### **Fonction de l'indicateur d'armement**

L'activation du mécanisme de percussion est signalée par l'indicateur d'armement. Lorsqu'il est armé, la partie arrière de l'indicateur dépasse l'appui du ressort de percuteur. Ce dépassement est visible et peut être également contrôlé de manière tactile.

### Fonction de détente à stecher

Le stecher sera activé en appuyant sur la détente vers l'avant (figure 4). Pour des raisons de sécurité, ne faire cette opération que juste avant le tir. Ne pas transporter l'arme ainsi activée. Si cette opération a été réalisée sans qu'aucune cartouche ne soit tirée, diriger l'arme vers un lieu sûr, engager la sûreté et désactiver le stecher en appuyant sur la détente. Décharger ensuite la carabine selon le procédé décrit ci-dessus.

### Réglage de la détente

Le réglage du poids de la détente chez CZ 452 ZKM se fait après avoir enlevé la crosse par l'écrou du réglage (figure 5).

CZ 453 permet de régler le poids et la course de détente avant et après le départ du coup (figure 6). Le réglage se fait après démontage de la crosse au moyen des vis de réglage A (poids), B (course avant le départ) et C (course après le départ).

Si la carabine est équipée d'un stecher, le réglage de ce dispositif se fait au moyen de la vis placée devant la détente (figure 7). Pour des raisons de sécurité, il n'est pas recommandé de régler le stecher avec une course trop réduite, car les vibrations de l'arme pourraient provoquer un tir intempestif. La sécurité de ce dispositif vérifier avec la carabine déchargée en répétant l'ouverture et verrouillage de la culasse mobile et en engageant et enlevant la sûreté. Aucun tir intempestif ne peut avoir lieu.

#### Remarque:

Le stecher peut être démonté de l'arme sans aucunement influencer le fonctionnement ou le réglage de la détente même.

### Organes de visée

La hausse basculante de la carabine CZ 452-2E ZKM est munie de repères répondant à une différence de 25 m pour une portée de tir de 25 à 200 m. L'arme est réglée d'usine pour le tir à 50 m.

Après avoir appuyé sur le bouton latéral ajuster en déplaçant la coulisse la distance voulue pour le tir. La correction latérale se fait en desserrant la vis du feuillet de hausse du côté vers lequel on veut dépasser des atteintes et en serrant la vis du côté opposé (figure 8). Un tour de la vis déplace le point visé de 5 cm à 50 m. La correction verticale se fait en déplaçant le guidon dans la rainure de son embase. Le guidon est immobilisé par une vis et sur l'embase se trouvent des repères auxiliaires. Le déplacement du guidon d'un repère déplace le point visé de 1,5 cm à 50 m.

Pour le type CZ 452 Scout, la correction latérale se fait en déplaçant latéralement le guidon dans une rainure transversale avant de le fixer par un coup de pointeau. La correction verticale se fait en déplaçant la coulisse sur la plaque de la hausse (figure 9). Le déplacement d'une division déplace le point visé de 1,25 cm à 50 m.

CZ 453 est fabriquée en version sans organes de visée.

#### **Lunette de visée**

Il est recommandé de confier le montage et le réglage d'une lunette de visée à un atelier spécialisé.

### **INSTRUCTIONS D'ENTRETIEN**

#### **Démontage de nettoyage**

1. Enlever le chargeur.
2. Désengager la sûreté pour pouvoir manipuler la culasse mobile.
3. Ouvrir la culasse et le sortir de l'arme en appuyant sur la détente à la butée.

#### **Démontage de la culasse**

1. Enlever la culasse de l'arme comme décrit ci-dessus.
2. Tenir fermement le corps de la culasse et tourner le levier de la culasse vers la droite (comme pour verrouiller la culasse mobile sur l'arme). Ceci libère le ressort du percuteur.
3. Poser l'appui du ressort du percuteur sur un objet approprié fixe (voir figure 10) et l'enfoncer dans la culasse. Simultanément retirer la sûreté.
4. Après avoir retiré la sûreté, relâcher prudemment la culasse mobile et maintenir l'appui du ressort du percuteur. Lors de ce démontage, il est nécessaire de prendre beaucoup de précautions pour que le ressort du percuteur n'éjecte pas l'appui, qui pourrait ainsi se perdre ou provoquer des blessures.

**REMARQUE:**

Ne démonter aucune autre partie de l'arme. Si vous avez l'impression que l'arme devrait être réglée ou réparée, confiez-la à un atelier spécialisé!

**Nettoyage de l'arme**

Nettoyer l'arme:

- après chaque utilisation
- chaque fois qu'elle a été exposée à l'humidité
- le plus tôt possible après le tir
- dans des conditions atmosphériques normales, au moins une fois par an
- dans des conditions atmosphériques sévères, au moins une fois par mois

**Nettoyage du canon et de la chambre**

Si l'arme n'a pas été utilisée ou si seulement quelques cartouches ont été tirées, essuyer l'intérieur du canon et la chambre avec un chiffon sec placé sur la tige de nettoyage. Répéter l'opération en changeant le chiffon jusqu'à ce qu'il reste propre.

Si l'intérieur du canon est fortement sali, imprégner l'intérieur du canon et la chambre avec du liquide de nettoyage et laisser agir pendant une dizaine de minutes (cette durée peut varier avec le type de produit utilisé) et nettoyer avec la brosse. Sécher l'intérieur du canon et la chambre avec un chiffon propre et contrôler que les résidus de combustion sont déclassés. Si besoin, répéter l'opération.

La tige de nettoyage et la brosse doivent être insérées à partir de la chambre pour ne pas endommager la bouche du canon. La brosse doit être passée sur toute la longueur du canon sans changer de direction pour éviter qu'elle ne se bloque dans les rayures.

### **Nettoyage des autres parties de l'arme**

Les autres parties métalliques de l'arme seront nettoyées selon les besoins avec un chiffon sec, une vieille brosse à dents, une brosse en laiton ou un grattoir en bois. Lors du nettoyage, il est possible d'utiliser de l'huile de conservation ou du pétrole. Ne jamais utiliser le liquide de nettoyage pour l'intérieur du canon! Ce dernier pourrait rester dans les fentes entre les composants et y provoquer de la corrosion. S'assurer qu'aucune particule des moyens de nettoyage n'est restée dans aucune partie de l'arme.

L'entretien de la crosse se fait au moyen d'un chiffon sec ou avec des produits destinés à l'entretien des meubles.

### **Conservation**

L'intérieur du canon, la chambre et toutes les parties métalliques accessibles seront, après nettoyage à sec, essuyées avec un chiffon doux imprégné d'huile de conservation ou traités par une pulvérisation d'huile spéciale. Essuyer l'excès d'huile.

Avant le tir, essuyer l'intérieur du canon avec un chiffon sec. Si l'arme est utilisée à basse température, il est nécessaire d'enlever l'huile de toutes les parties accessibles ou d'utiliser une huile adaptée à ces conditions climatiques.

Avant le tir, essuyer l'intérieur du canon avec un chiffon sec. Si l'arme est utilisée à basse température, il est nécessaire d'enlever l'huile de toutes les parties accessibles ou d'utiliser une huile adaptée à ces conditions climatiques.

### **Traitement des déchets**

Si les matériaux du produit et de l'emballage sont traités correctement, ils n'ont aucune incidence négative ni sur la santé humaine ni sur l'environnement. En cas de besoin de l'élimination du produit ou de son emballage, les parties métalliques (l'acier, les métaux non ferreux), les emballages plastiques, le papier et le carton doivent être déposés séparément dans les conteneurs qui y sont destinés.

LISTE DES PIÈCES

1 Canon	25 Axe du levier de détente	50 Vis de grenadière	83 Vis avant du support
2 Guidon	26 Détente	51 Anneau porte bretelle	84 Vis arrière du support
3 Vis du guidon	27 Rivet de la détente	52 Vis	85 Ressort de détente
4 Protège-guidon	28 Axe de la détente	53 Rondelle à ressort	86 Axe de détente
5 Embase de guidon	29 Axe de la cheville de détente	54 Pontet	87 Anneau de sûreté (2x)
6 Plaque de hausse	30 Cheville de la détente	55 Plaque inférieure du pontet	88 Ressort du levier de stecher
7 Ressort de la plaque de hausse	31 Ecrou de la cheville de détente	56 Vis du pontet (2x)	89 Levier du stecher
8 Feuillet de hausse	32 Rondelle du ressort de détente	57 Vis de fixation arrière	90 Vis de réglage de la détente (B)
9 Vis de hausse (2x)	33 Ressort du poids de la détente	58 Enveloppe du chargeur	91 Fil de Nylon (2x)
10 Coulisse	34 Guidage de culasse	59 Elévateur	92 Axe
11 Bouton de hausse	35 Culasse mobile	60 Ressort de l'élévateur	93 Ressort du poids de la détente
12 Ressort du bouton de hausse	36 Extracteur	61 Fond du chargeur	94 Support de la détente
13 Base de la hausse	37 Griffes	62 Verrou du fond de chargeur	95 Vis de réglage du poids de la détente (A)
14 Cheville de la base de hausse	38 Ressort de l'extracteur	63 Ressort du verrou de fond	96 Ecrou de fixation
15 Boîte de culasse	39 Sûreté	64 Enveloppe du chargeur	97 Ecrou de fixation
16 Guidage du chargeur	40 Levier de culasse	65 Elévateur	98 Vis de réglage de la course après départ (C)
17 Vis avant du guidage de chargeur	41 Percuteur	66 Ressort de l'élévateur	99 Levier de détente
18 Vis arrière du guidage de chargeur	42 Ressort du percuteur	67 Corps du guide	100 Vis de réglage du stecher
19 Arrêtoir du chargeur	43 Appui du ressort de percuteur	72 Canon	101 Collier
20 Ressort de l'arrêtoir du chargeur	44 Crosse	73 Guidon	102 Vis du collier
21 Axe de l'arrêtoir du chargeur	45 Plaque de couche	74 Protège-guidon	103 Ecrou du collier
22 Levier de détente	46 Vis de la plaque de couche (2x)	75 Feuillet de hausse	104 Ecrou cylindrique
23 Bille d'acier	47 Vis fixation avant	76 Base de la hausse	105 Enveloppe du chargeur
24 Ressort du levier de détente	48 Rondelle de la vis de fixation	77 Rivet	106 Verrou du fond de chargeur
	49 Anneau grenadière complet	78 Coulisse	107 Fond du chargeur
		79 Support du mécanisme de détente	108 Ressort de l'élévateur
		80 Arrêt du percuteur	109 Elévateur
		81 Butée d'arrêt du percuteur	
		82 Ressort d'arrêt du percuteur	

## DÉRANGEMENTS

En cas d'entretien régulier et d'utilisation normale, la probabilité de panne est minimale. Si toutefois une telle situation apparaissait, veuillez appliquer les instructions suivantes.

**AVERTISSEMENT!** En cas de problèmes en cours de tir, la probabilité d'un tir inattendu augmente fortement. C'est pourquoi les consignes de sécurité doivent être strictement appliquées. Toujours garder l'arme dirigée vers un lieu sûr, ne jamais la diriger vers les personnes présentes, ne jamais placer la main devant la bouche du canon!

Dérangement	Cause probable	Remède
La cartouche ne monte dans la chambre	Le chargeur n'est pas suffisamment enfoncé dans son logement ou est endommagé. L'arme ou les munitions sont fortement encrassées.	Engager le chargeur à fond ou utiliser un autre chargeur.  Nettoyer l'arme et les munitions à sec, si besoin légèrement graisser.
Percussion ratée	La cartouche utilisée est défectueuse. L'orifice pour le percuteur est bouché par des impuretés ou par de la graisse à basse température.	Appliquer le point 19 des Règles de sécurité. Démonter et nettoyer le percuteur, si besoin utiliser un lubrifiant pour basses températures.
"Coup" faible	La cartouche été percutee, mais la douille ne contient pas de poudre.	Décharger l'arme et s'assurer que la balle n'est pas restée dans le canon. Un autre tir éventuel pourrait gravement endommager l'arme!
Pas d'éjection	Chambre, cartouche ou éjecteur fortement encrassé, éventuellement bloqué par de la graisse à basse température impropre.	Nettoyer l'arme à sec, si besoin graisser légèrement. N'utiliser que des munitions neuves, propres.

Si aucun procédé ne permet d'éliminer le problème, veuillez confier votre arme à un atelier spécialisé.



DONNÉES TECHNIQUES

Modèle	Standard, Lux	Style, Silhouette	FS	Scout	American	Varmint
Calibre	.22 LR .22 WMR	.22 LR .17 HMR	.22 LR .22 WMR .17 HMR	.22 LR	.22 LR .22 WMR .17 HMR .17HM2	.22 LR .17 HMR .17HM2
Longueur totale [mm]	1083	1035	995	830	1020	998
Longueur du canon [mm]	630	572	527	412	572	532
Ecartement d'organes de visée (ouvertes) [mm]	508	-	410	320	-	-
Poids à vide [kg]	3	2,7	2,9	1,8	2,8	3,2
Capacité du chargeur [cartouches]	<b>.22 LR: 5/10/1 - .22 WMR: 5 - .17 HMR: 5 - .17 HM2: 5</b>					
Poids de la détente, réglable dans l'intervalle * [N]	14 - 18					
Poids de la détente avec le stecher activé [N]	4 - 7					

\* La résistance de la détente des carabines modèle Silhouette est comprise entre 11 et 14 N

**LISTE DES FIGURES**

1. Terminologie des pièces principales
2. Enlèvement du chargeur
3. Sûreté en position désengagée (la flèche indique le sens d'engagement)
4. Activation du stecher
5. Réglage du poids de la détente CZ 452 ZKM
6. Réglage de la détente chez CZ 453 (A - poids de la détente; B - course avant le départ; C - course après le départ du coup)
7. Réglage de la vis du stecher
8. Plaque de hausse avec la coulisse, feuillet de hausse et la vis pour le réglage latéral
9. La vue de la hausse du modèle Scout
10. Démontage de la culasse

Le fabricant se réserve le droit de réaliser des modifications nécessaires à l'amélioration de son produit ou répondant à des exigences de caractère technique ou commercial.

NOTES - NOTAS - POZNÁMKY - ANMERKUNGEN - NOTICES

.....

.....

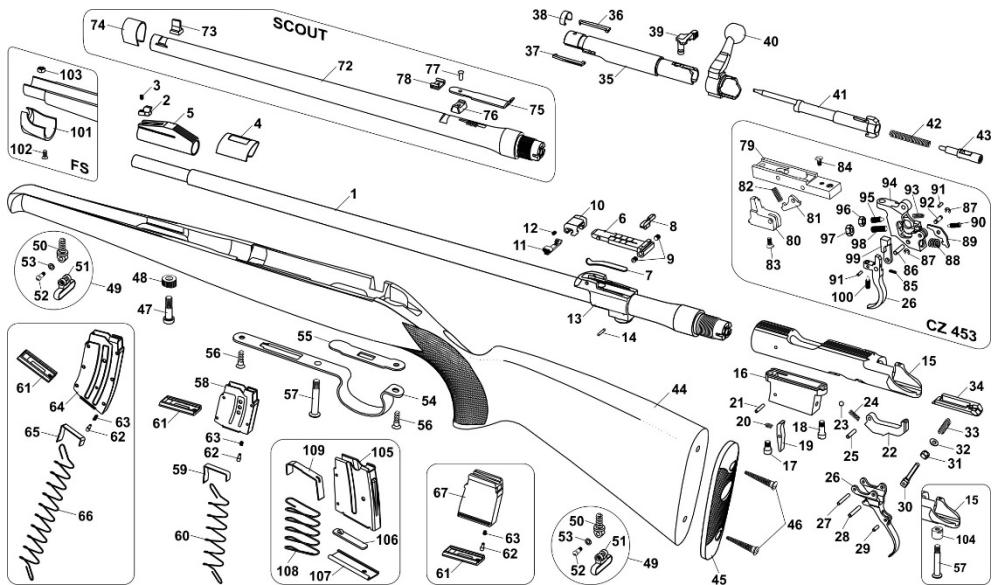
.....

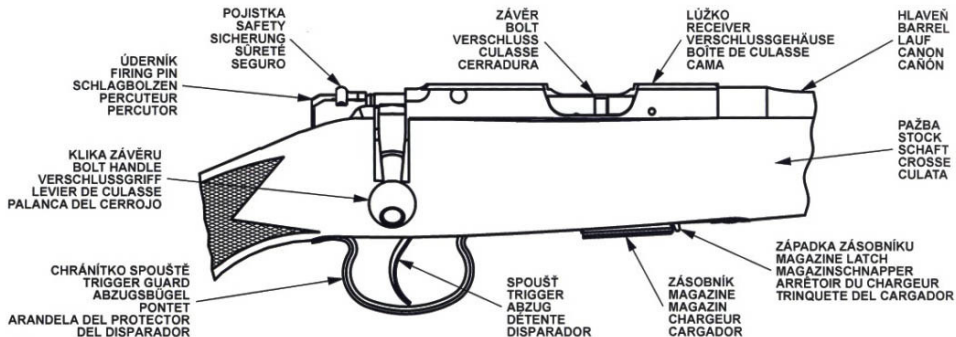
.....

.....

.....

.....

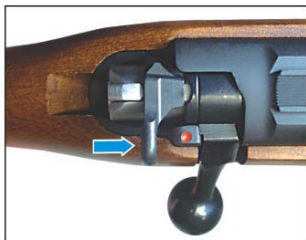




①



②



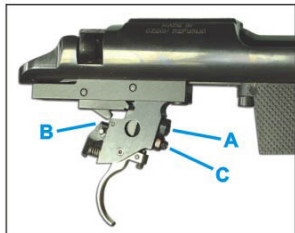
③



④



⑤



⑥



⑦



⑧



⑨



⑩