



CZ P-09

INSTRUCTION MANUAL
MANUAL DE INSTRUCCIONES
NÁVOD NA POUŽITÍ
BEDIENUNGSANLEITUNG
MODE D'EMPLOI



Before handling the pistol read this manual carefully and observe the following safety instructions.

Improper and careless handling of the pistol could result in unintentional discharge and could cause injury, death or damage to property. The same consequences can be caused by unauthorized modifications or adjustments, corrosion, or use of non-standard or damaged ammunition. In these cases the manufacturer shall not be responsible in any manner whatsoever for the resultant consequences. Before leaving the factory this pistol was tested, carefully inspected, and packed. CZ cannot accept responsibility for product handling while in transit, or upon leaving the factory. Therefore, please examine this pistol carefully at the time of purchase to ensure that it is unloaded and undamaged.

This instruction manual should always accompany this pistol and that even in the case of the loan or sale of this pistol.

CONTENTS

SAFETY INSTRUCTIONS	2
DESCRIPTION AND TERMINOLOGY	4
Safety Features	5
OPERATING INSTRUCTIONS	5
Ammunition	5
Removal of the Magazine	5
Magazine Loading	6
Pistol Loading	6
Reloading During Shooting	6
Unloading the Pistol	6
Engaging the Safety Mode	7
Decocking	7
Sight Adjustment	8
Changing the Back Strap Inserts	8
Reflex Sight Installation	8
MAINTENANCE INSTRUCTIONS	9
Stripping for Cleaning - Disassembly	9
Magazine Disassembly	9
Exchange of Control Elements	10
Cleaning the Pistol	10
Cleaning the Barrel Bore and the Cartridge Chamber	10
Cleaning of Other Pistol Parts	11
Preserving	11
Waste Management	11
LIST OF PARTS	12
ADAPTER FOR CZ P-09, CALIBRE .22 LR	13
TROUBLESHOOTING, CAUSES AND REMEDIES	15
LIST OF ILLUSTRATIONS	16

SAFETY INSTRUCTIONS

Always follow the safety instructions for your safety and the safety of others.

1. Always handle your pistol as if it were loaded.
2. Never point your pistol at anything you do not intend to shoot.
3. Never take anyone's word that a gun is unloaded.
4. Always make sure that your pistol is not loaded before laying it down, or handing it to another person.
5. Always keep and carry your pistol empty, with the hammer forward except when you intend to shoot.
6. Never abuse your pistol by using it for any purpose other than shooting.
7. Never leave the pistol cocked and ready to fire unattended.
8. Before loading your pistol be sure that the barrel bore, chamber, and action are clean and clear of obstructions. After shooting, clean the dirtied pistol as soon as possible.
9. Do not shoot the pistol, unless you are certain about the ammunition you are using. Do not use unmarked or hand-loaded ammunition from an unknown source, ammunition with a cracked, deformed or dented case or with a damaged bullet. Reloading is an expert activity and incorrectly reloaded ammunition may be extremely dangerous. It may result in heavy damage or destruction of the pistol and serious injury or death of the shooter or other persons. Always use only clean, dry, original high quality commercially manufactured ammunition, which is appropriate to the caliber of your pistol.
10. Never drink alcoholic beverages or take drugs before or during shooting.
11. Always wear safety glasses and ear protection when shooting.
12. Always keep the safety on when the pistol is loaded and cocked, until you are ready to fire. Keep your pistol pointed in a safe direction when disengaging the manual safety.
13. Always keep clear and keep others clear of the ejection port.
14. Never squeeze the trigger or put your finger in the trigger guard until you are aiming at a target and ready to shoot.
15. Always be absolutely sure of your target, and the area behind it, before you squeeze the trigger. A bullet could travel through or past your target up to several hundred meters.
16. Never shoot at a hard surface such as rock, or a liquid surface such as water.
17. Never fire your pistol near an animal unless it is trained to accept the noise.
18. Never indulge in "horseplay" while holding your pistol.

INSTRUCTION MANUAL

19. Failure to fire: In case of failure to fire hold the firearm keeping it pointed towards the target, or a safe open area and wait 30 seconds. If a hangfire (slow ignition) has occurred, the cartridge will fire within 30 seconds. If the cartridge does not fire, eject the cartridge and examine it. If the firing pin indent on the cartridge is light, or non-existent, have the firearm examined by a competent gunsmith.
20. Always make sure your pistol is not loaded before cleaning, storing or travelling.
21. Always keep and store your pistol and ammunition in separate locked receptacles out of reach and sight of children and untrained people.
22. Never alter any parts of your pistol as the safety and proper function of your pistol could be seriously compromised.
23. Always be aware that corrosion, use of damaged ammunition, dropping the pistol on hard surfaces or other "coarse treatment" could cause damage you may not see. If something like this happens allow the pistol to be examined and tested by a competent gunsmith.

DESCRIPTION AND TERMINOLOGY

The names of basic pistol parts used in this Instruction Manual are presented in Fig. 1 on the inner side of the left-hand cover. Nomenclature of all CZ P-09 parts are presented in the section *List of Parts*.

The CZ P-09 pistol is a semi-automatic handgun incorporating short recoil, designed for aimed shooting up to 50 m distances. The CZ P-09 utilizes the locked breech principle. It is fitted with a trigger mechanism adapted to operate both in SA and DA modes of fire, a firing pin safety, safety stop on the hammer and manual safety which can be easily disassembled and substituted by a hammer decocking element. The frame is made from plastic material. Characteristic features of the CZ P-09 are:

- Comfortable grip and balance in either hand
- Good results at instinctive shooting (without aiming)
- Low trigger pull weight
- High accuracy of fire
- Long service life
- High reliability, even with various types of cartridges
- Sights adapted also for aiming under reduced visibility conditions
- The slide stays open after the last cartridge has been fired
- Suitable for everyday service gun toting
- The standard pistol version provided with ambidextrous safety or ambidextrous decocking element
- Mutual interchangeability of the safety and hammer decocking element
- The front part of the frame provided with grooves for applying special accessories

Comments:

SA (Single Action)

The trigger mechanism operates in a single action mode of fire. The hammer is cocked manually and then after pressing the trigger the pistol is fired. The trigger travel is short, and pull weight is low. After each discharge the hammer remains cocked.

DA (Double Action)

The trigger mechanism operates in a double action mode of fire. The hammer is cocked, released and the pistol fired by one pull of the trigger. The trigger travel is longer, and trigger pull weight is higher than at SA mode of fire.

Safety Features

Trigger Guard

Prevents unintentional pressing of the trigger, for example when the pistol is dropped.

Inertia Firing Pin

The design of the firing pin prevents the firing pin from protruding through the face of the slide when the hammer is in its rest position. This eliminates the possibility of a discharge when a loaded pistol is dropped on the hammer.

Firing Pin Safety

The firing pin safety keeps the firing pin blocked until the trigger is pulled. This safety device minimizes the risk of accidental discharge through mishandling such as when a loaded pistol is dropped.

Safety Stop on the Hammer

A half-cock safety notch is on the hammer so as to prevent it from striking the firing pin when the hammer is manually cocked, and a thumb could slip. When the hammer is on the safety stop, it is not leaning against the firing pin stop, but its position is further back.

OPERATING INSTRUCTIONS

Ammunition

Use only factory-manufactured ammunition of appropriate caliber, which are in compliance with CIP regulations (International Proof Commission for Firearms) or SAAMI (Sporting Arms and Ammunition Manufacturers' Institute Inc. of the United States). The use of other cartridges could damage the handgun or cause injury to the shooter. The manufacturer of the firearm does not recommend excessive dry firing (firing without ammunition). It is advisable to use snap caps for dry training as they are intended for this purpose.

Removal of the Magazine

Grip the pistol in your right (left) hand and by the thumb (middle finger) depress the magazine catch (Fig. 2). The magazine disengages and falls out of the frame. This pistol model is equipped with the user type magazine catch which can be reversed by gunsmith for the right or left hand operation.

Magazine Loading

With the open end uppermost, grasp the magazine in one hand. Place a cartridge on the magazine follower. Press the cartridge down and back until it touches the rear flat edge of the magazine. Place the next cartridge on top of the previous cartridge and press down and back. We recommend that when some cartridges are already loaded in the magazine, depress them slightly with the thumb of the hand which holds the magazine.

The number of cartridges can be checked through the inspection holes in the sides of the magazine. Do not try to exceed the magazine capacity - doing so can cause a feeding failure.

Pistol Loading

ALWAYS MAKE SURE THE PISTOL IS POINTED IN A SAFE DIRECTION WHEN LOADING!

Insert a loaded magazine and ensure that it has engaged the magazine catch.

Hold the pistol by the grip with one hand, and with the thumb and index finger grasp the serrated finger grips on both sides of the slide. Retract the slide to the stop and allow it to snap forward (Fig. 3). This procedure cocks the hammer and inserts a cartridge into the chamber. The pistol is now ready to fire. If you do not intend to fire immediately, ensure the pistol safety by some of the methods mentioned in the section: *Engaging the Safety Mode* or as per section *Decocking*.

Reloading During Shooting

When the last cartridge has been fired the slide will stay to the rear. Remove the emptied magazine and replace it with a loaded one. Thumb down the slide stop with the shooting hand (Fig. 4), or with the other hand draw back the slide and allow it to snap forward. The pistol is again loaded and ready to fire.

Unloading the Pistol

ALWAYS MAKE SURE THE PISTOL IS POINTED IN A SAFE DIRECTION!

- Remove the magazine
- Draw back the slide and verify the last cartridge has been extracted from the chamber and ejected
- Let the slide snap fully forward
- Depress the trigger (dry fire)

Engaging the Safety Mode

The version equipped with a decocking device is not covered in this section!

Push the safety up to the Safety-On position (Fig. 5) until the red warning dot is covered. The safety in this position blocks the trigger mechanism and slide, thus preventing the pulling of the trigger and operating the slide. The safety lever can be set to the "Safe" position even with the hammer on safety notch. However, it is strongly not recommended that the safety be engaged while in this state as any forced cocking of the hammer or pulling of the trigger could damage the trigger mechanism and cause unwanted firing even though the safety is in the "Locked" position. The pistol safety shall be only engaged with the hammer in its rear position, i.e. cocked. The use of safety is therefore convenient for short interruptions of firing only.

Besides the method previously described it is possible to put the pistol into a safety mode and still be ready to fire immediately:

Load the pistol. Grasp the grip, POINT IN A SAFE DIRECTION. With thumb press on the grooved area (thumb piece) of the hammer, pull the trigger and release the hammer slowly ahead (Fig. 6) until it rests on the action or safety thumb of the hammer. Release the trigger. Practise this operation very carefully to avoid an accidental discharge! We strongly recommend to practise this operation beforehand with the pistol unloaded!

In this state the pistol is safe for all normal handling and at the same time ready for immediate use. Please remember that the safest way to secure a pistol is to unload it and store it in a safe place!

Decocking

The version equipped with a manual safety is not covered in this section!

MAKE SURE THE PISTOL IS POINTED IN A SAFE DIRECTION and thumb down the decocking control lever (Fig. 7).

Pressing down the decocking control lever actuates the lowering of the hammer from the cocked position to the hammer safety notch position, without any need to pull the trigger. Even if there is a cartridge in the chamber the pistol is (hammer decocked) safe for all normal handling in this state, and ready for immediate use in a Double Action mode of fire.

Sight Adjustment

The pistol sights were sighted in at the manufacturing plant at a distance of 25 m so that the mean point of impact approximately conforms to the point of aim. Windage correction can be carried out by the drifting of the rear sight in the dovetail and then secured in its position by screw. Elevation correction is carried out by exchanging the front sight for higher or lower sizes and by securing with a screw.

Changing the Back Strap Inserts

Each pistol is supplied with a set of changeable back strap inserts, which enables the rear part of the grip to be adjusted according to the individual needs of the user. In order to change the back strap inserts it is necessary to remove the main spring plug pin. To avoid injuries be very careful when removing the pin as it secures the main spring plug as well as the compressed main spring. Entrust the task to a gunsmith.

Reflex Sight Installation

To mount the plate under the reflex sight, we recommend using thread glue (e.g. Loctite 243) and tightening the screws to 1.3 Nm. After application, the glue must be let dry according to the manufacturer's instructions. When mounting the reflex sight, proceed according to the manufacturer's instructions.

MAINTENANCE INSTRUCTIONS

Stripping for Cleaning - Disassembly

POINT YOUR PISTOL IN A SAFE DIRECTION!

1. Remove the magazine. The pistol must not be disassembled with the magazine inserted!
2. Put the safety to "OFF" position, in order to release the movement of the slide.
3. MAKE SURE THAT THERE IS NO CARTRIDGE IN THE CHAMBER!
4. Retract the hammer slightly back and then release it, until it stops on half-cock (safety) notch position. In this state the handling which follows will be easier.
5. Put your left thumb through the trigger guard and with the other fingers grasp the top of the front part of the slide firmly.
6. Push the slide slightly rearwards until the rear of the slide is against the retracted hammer and the guidelines on the frame and the slide are in line.
7. Push (tap) the slide stop from the right hand side of the weapon, i.e. using the magazine base (Fig. 8). Remove the slide stop from the left.
8. Pull the slide and the barrel forward off the frame.
9. Remove the recoil spring and finally the barrel.

No further disassembly is needed for routine maintenance. When a great number of cartridges has been fired, it is advisable to also disassemble magazine and to entrust the pistol to a competent gunsmith for the firing pin cleaning.

Magazine Disassembly

To remove the magazine base, push on the base lock which sticks out through a hole in the base and slide the base about 5 mm towards the front of the magazine. Cover the base with your thumb to prevent losing the magazine spring and with the other hand take off the base from its guiding rails. Be careful during the disassembly as the spring could fly out, or even cause an injury.

Exchange of Control Elements

The pistol is designed in such a way that it enables an easy exchange of the safety by the hammer decocking element and reversely. This operation can be done without using any special tooling. The left safety or left decocking element can be removed first after depressing the ejector downward. Before assembling the right safety or right decocking element it is necessary to depress the trigger bar downward.

In the safety configuration only safeties are installed. In case of the decocking configuration besides the control elements, it is necessary to install also the spring of the control element so that its shorter end is supported by the nose of the control element body and the opposite end is positioned in the pin hollow (Fig. 9).

It is recommended to pass the training of the control elements exchange under supervision by an experienced gunsmith or to refer to the guidance on the website of Ceska zbrojovka.

CAUTION:

No further disassembly of your pistol is recommended. Should your pistol require adjustment or repair be sure the task is entrusted to a competent gunsmith!

Cleaning the Pistol

- Clean the pistol
- Each time you use it
- If you get your pistol wet
- As soon as possible after shooting
- At least once a year in a temperate climate
- As often as once a month in a tropical climate, or other demanding environment

Cleaning the Barrel Bore and the Cartridge Chamber

If the pistol has not been fired or if only a few cartridges have been fired, clean the barrel bore and cartridge chamber by the clean patch attached to the cleaning rod. Repeat the cleaning, changing patches, until the last patch comes out clean.

When the barrel bore is very dirty, apply a gun cleaning solution using a cleaning brush. Let the solvent act for about 10 minutes (this time may vary depending on the solvent agent being used). Then thoroughly scrub out the barrel bore. Subsequently, dry the barrel bore and cartridge chamber with a clean patch and check that all powder residues or fouling have been removed. If necessary repeat this procedure.

The cleaning rod and the brush must be inserted into the barrel bore from the chamber, to prevent wear or damage to the muzzle. Pass the brush all the way through the barrel bore before reversing the movement. If you try to change directions with the brush in the barrel, the brush could stick.

Cleaning of Other Pistol Parts

Other parts of the pistol (including the external surfaces of the barrel) should be cleaned with a dry cloth, old toothbrush, brass bristle brush or a wooden scraper. Preserving oil or paraffin oil can be used for proper cleaning. Never use the agent designed for barrel bore cleaning! These solutions could remain in the joints, and after some time could cause corrosion.

Check that cloth particles or brush bristles have not become lodged in any part of the pistol.

Preserving

When the barrel bore, cartridge chamber, and all accessible parts are clean and dry, wipe these parts with a cloth soaked in gun oil or apply the oil in a spray. Remove all excess oil.

Before shooting always wipe the barrel bore dry. At very low temperatures remove the oil from all accessible parts or apply a lubricant prepared especially for these conditions.

Use thick preserving agents for example, preserving grease only for a long-term storage in demanding climate environments, and before any use of the pistol it must be thoroughly removed from all parts of the firearm.

Waste Management

When used properly, the materials used in the product and packaging have no adverse effects on human health or the environment. When disposing of the product or its packaging, metal parts (steel and non-ferrous metals), plastics, wood, paper and cardboard should be stored separately in collecting containers intended specifically for that purpose.

LIST OF PARTS

- | | |
|-----------------------------|---------------------------------|
| 1 a) Frame | 25 Front Sight |
| b) Changeable Back Strap | 26 Main Spring Strut |
| Insert S/M/L | 27 Main Spring Plug |
| 2 Slide | 28 Sear Pin |
| 3 Barrel | 29 Hammer Pin |
| 4 Slide Stop | 30 Trigger Pin |
| 5 Magazine | 31 Magazine Catch Plug |
| 6 Insert - Front | 32 Main Spring Plug Pin |
| 7 Insert - Rear | 33 Extractor Pin |
| 8 Trigger | 34 Magazine Catch Pin |
| 9 Trigger Bar | 35 Insert - Front Pin |
| 10 Sear | 36 Pin |
| 11 Hammer | 37 Firing Pin Plug |
| 12 Disconnecter | 38 Recoil Spring Assembly |
| 13 Firing Pin Block Lever | 39 Securing Screw (2x) |
| 14 Trigger Bar Disconnecter | 40 Extractor Spring |
| 15 Ejector | 41 Firing Pin Spring |
| 16 Firing Pin | 42 Firing Pin Block Stop Spring |
| 17 Extractor | 43 Spring (2x) |
| 18 Firing Pin Block Stop | 44 Slide Stop Spring Pin |
| 19 Magazine Catch | 45 Main Spring |
| 20 Safety - Left * | 46 Trigger Spring |
| 21 Safety - Right * | 47 Slide Stop Spring |
| 22 Hammer Decocking Lever | 48 Hammer Decocking Lever |
| Controller - Left * | Spring * |
| 23 Hammer Decocking Lever | 49 Trigger Bar Spring |
| Controller - Right * | 50 Sear Spring |
| 24 Rear Sight * | 51 Insert - Rear Pin |

The parts marked * differ according to versions, or as case may be in some versions are entirely missing.

ADAPTER FOR CZ P-09, CALIBRE .22 LR

Adapter for the CZ P-09 pistol in calibre .22 LR can be supplied in the following two versions:

1. The adapter itself, which can be mounted on a frame of any CZ P-09
2. Complete CZ P-09 pistol in calibre .22 LR

The main benefits of the adapter are:

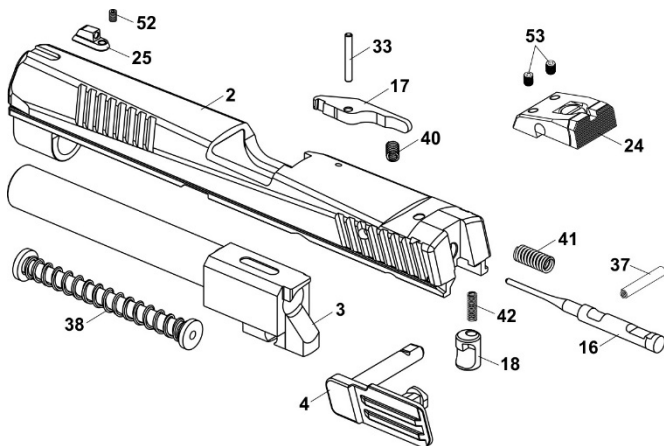
- retaining the typical characteristics of the CZ P-09 pistol
- economy of firing - advantageous especially for training
- easy installation of the adapter on the frame without the necessity of additional alignment

Installation of the .22 LR adapter

No modifications or additional alignment are necessary for the use of the .22 LR adapter on an existing pistol. Follow the instructions in *Stripping for Cleaning - Disassembly* and remove the existing slide assembly and mount the .22 LR adapter on the pistol frame. The supplied slide stop marked as "22 LR" and a magazine in calibre .22 LR must be used with the adapter.

INSTRUCTION MANUAL

Illustration and list of parts for the .22 LR adapter



- | | |
|--------------------------|---------------------------------|
| 2 Slide | 33 Extractor Pin |
| 3 Barrel | 37 Firing Pin Plug |
| 4 Slide Stop | 38 Recoil Spring (assembly) |
| 16 Firing Pin | 40 Extractor Spring |
| 17 Extractor | 41 Firing Pin Spring |
| 18 Firing Pin Block Stop | 42 Firing Pin Block Stop Spring |
| 24 Rear Sight | 52 Front Sight Screw |
| 25 Front Sight | 53 Securing Screw |

TROUBLESHOOTING, CAUSES AND REMEDIES

If your pistol is properly used and maintained, malfunctions will rarely occur. However, if such a situation does occur, please observe the following instructions.

CAUTION - If a malfunction occurs, the possibility of unintentional discharge is substantially increased. For this reason, carefully observe the *Safety Instructions* already mentioned above. Keep the pistol pointed in a safe direction, do not turn the pistol against your body or anyone else's! Do not place your hands in front of the barrel!

If you use your pistol for self-defense, or in law enforcement, please acquire so-called "dummy cartridges" and practice fast clearing of malfunctions as described below.

Malfunction	Possible Cause	Remedy
A cartridge has not been fed into the chamber or the slide has not fully locked with the barrel	Magazine is not fully inserted or is damaged. The pistol or cartridges are fouled (dirty) or too heavily greased.	Insert magazine properly or change magazine. Clean the pistol and cartridges and wipe them dry or as case may be slightly lubricate.
Misfire	Defective cartridge. Firing pin hole fouled (dirty) or improper lubrication agent used under low temperature conditions.	Pull the trigger again. If a discharge is not initiated, follow the Safety Instructions according to point 19. Disassemble and clean the firing pin or use a low temperature lubricant.
A shot sounds "weak" combined with failure to eject the cartridge case	The cartridge has been activated but no powder load was inside the cartridge case.	Unload the pistol and check that the bullet is not lodged in the barrel. A subsequent shot could cause damage to the barrel.
The spent case has not been ejected	Cartridge chamber, extractor or ammunition dirty, or unsuitable lubricant in low temperature environment.	Clean and wipe the pistol dry or lubricate lightly with a suitable agent. Use new and clean ammunition.

If you cannot clear away any malfunction in the manner described above, entrust the pistol to a competent gunsmith for inspection and repair.

LIST OF ILLUSTRATIONS

1. The names of basic parts
2. Removal of the magazine
3. Pistol loading
4. Slide release from its "rear lock-up" position by depressing slide stop
5. Shifting the safety to the "SAFETY-ON" position
6. Release of the hammer in the version equipped with the manual safety
7. Release of the hammer in the version equipped with no manual safety
8. Slide stop removal using the magazine base
9. Detail of the hammer decocking element installed

The Company, reserves the right to make any changes it thinks necessary to improve its models or to meet any requirements of manufacturing or commercial nature.

Antes de manipular con la pistola, lea cuidadosamente este manual y observe especialmente las siguientes instrucciones de seguridad.

Un manejo incorrecto y descuidado de la pistola podría producir un disparo no intencionado causando lesiones corporales, muerte o daños a la propiedad. Las mismas consecuencias pueden tener modificaciones no autorizadas, corrosión o uso de una munición no prescrita o averiada. El fabricante no se hará responsable por las consecuencias originadas en estos casos. Antes de abandonar la fábrica, la pistola fue probada, revisada cuidadosamente y empaquetada. CZ no puede controlar la manipulación del producto una vez que el mismo abandone la fábrica. Por esta razón, al comprar esta pistola verifique que la misma esté descargada y sin averías.

Este Manual de Instrucciones deberá siempre acompañar la pistola, incluso cuando el arma fuese prestada o vendida.

CONTENIDO

INSTRUCCIONES DE SEGURIDAD	18
TERMINOLOGÍA Y DESCRIPCIÓN	20
Elementos de seguridad de la pistola	21
INSTRUCCIONES DE USO	22
Munición	22
Retiro del cargador	22
Cargar el cargador	22
Cargar la pistola	22
Recarga durante el tiro	23
Descargar la pistola	23
Seguro de la pistola	23
Soltar el martillo (Decocking)	24
Ajuste de miras	24
Recambio de lomos de la empuñadura	24
Instalación del visor	24
INSTRUCCIONES DE MANTENIMIENTO	25
Desmontaje del arma para la limpieza	25
Desmontaje del cargador	25
Recambio de elementos de manejo	25
Limpieza de la pistola	26
Limpieza del ánima y la recámara	26
Limpieza de otras partes de la pistola	27
Conservación	27
Tratamiento de los residuos	27
LISTA DE COMPONENTES	28
ADAPTADOR CZ P-09 EN EL CAL. 22 LR	29
ELIMINACIÓN DE FALLAS FUNCIONALES	31
LISTA DE GRÁFICOS	32

INSTRUCCIONES DE SEGURIDAD

Mantenga siempre las instrucciones de seguridad para su seguridad personal y la de los demás.

1. Manipule siempre con su pistola como si fuese cargada.
2. No apunte nunca a ningún objeto, si no tenga la intención de disparar.
3. No confíe a nadie que la pistola esté descargada.
4. Antes de dejar de utilizar la pistola o entregarla a otra persona, verifique siempre que esté descargada.
5. Almacene la pistola descargada y con el martillo en la posición delantera.
6. No utilice nunca la pistola con otros fines que para disparar.
7. Nunca deje sin vigilancia una pistola cargada.
8. Antes de cargar el arma, asegúrese que el ánima del cañón, la recámara y la corredera estén limpios y sin obstrucciones. Limpie la pistola después del disparo tan pronto sea posible.
9. No dispare del arma sin conocer la munición que está usando. No utilice una munición sin marcación, recargada manualmente; una munición con casquillo rajado, deformado o abollado, o una bala con signos de avería. La recarga es una actividad especializada y una munición recargada de forma incorrecta (con fallas) puede ser extremadamente peligrosa, con el eventual daño/destrucción grave del arma y lesiones de gravedad o la muerte del tirador y otras personas. Utilice siempre una munición limpia, seca y de fabricación original, de alta calidad y en un buen estado, correspondiente al calibre de su pistola.
10. Nunca tome bebidas alcohólicas o utilice estupefacientes antes o durante el disparo.
11. Utilice protectores de oídos y gafas de tiro protectoras durante el tiro.
12. Si la pistola está cargada y con el martillo montado, mantenga el seguro en la posición de seguridad hasta el momento de estar preparado para el disparo. Al quitar el seguro apunte en un espacio seguro.
13. Mantenga libre la ventanilla de expulsión e impida que alguien se coloque en la dirección de la cartuchera expulsada.
14. No presionar el disparador y no introducir los dedos en el guardamonte del disparador, a no ser, que esté apuntando al blanco y preparado para disparar.
15. Antes de presionar el disparador, vuelva a controlar su objetivo y el espacio posterior del mismo. La bala puede atravesar el objetivo o desviarse fuera del mismo y pasar una distancia de varios cientos de metros.

16. Nunca dispare a una superficie dura, como una piedra, o la del agua por ejemplo.
17. No dispare nunca cerca de un animal que no esté entrenado para este tipo de ruido.
18. Al manipular con la pistola, evite todo tipo de "bromas".
19. Falla del disparo: En el caso de no producirse el disparo, mantenga el arma apuntando hacia el blanco de disparar o hacia un espacio seguro y espere treinta segundos. En el caso de producirse una ignición atrasada, el cartucho disparará en treinta segundos. Si no se produciría el disparo, retire el cartucho del cañón y revíselo. Si la huella del percutor en el cartucho es débil o falta, antes de realizar el siguiente disparo deje revisar la pistola por un armero calificado.
20. Asegúrese siempre que la pistola no este cargada cuando vaya a limpiarla, almacenarla o transportarla.
21. Guarde siempre la munición y la pistola en depósitos seguros y bajo llave, fuera del alcance y la vista de los niños o gente no autorizada.
22. Nunca altere ninguna parte de la pistola, podría comprometer de una manera grave el correcto funcionamiento de la pistola o su seguridad.
23. Tenga en cuenta que la corrosión, el uso de munición dañada, el roce del arma con superficies duras u otros rudos movimientos podrían causar daños a la pistola, que no necesariamente se puedan percibir a simple vista. Si algo como esto ocurriera, entregue el arma a un especialista para ser examinada y probada.

TERMINOLOGÍA Y DESCRIPCIÓN

La denominación de las partes principales de la pistola utilizada en este Manual está indicada en el gráfico No. 1 en la parte interior de la tapa del libro. La denominación de todos los componentes de la pistola está indicada en el capítulo *Lista de componentes*.

La pistola CZ P-09 es un arma de fuego de mano con un retroceso del cañón corto, destinada para un disparo dirigido a la distancia de 50 metros. Tiene el sistema de cerradura cerrado. Viene equipada con el mecanismo del disparador de doble acción SA/DA, bloqueo del percutor, diente de seguridad en el martillo y seguro manual que puede desmontarse con facilidad y reemplazarse con el manipulador para soltar el martillo (decocking). El armazón de la pistola es de Polímero. Entre las características de la pistola destacan:

- buen agarre en ambas manos
- buenos resultados durante el tiro instintivo (sin apuntar)
- baja resistencia del disparador
- alta precisión del tiro
- larga vida útil
- alta confiabilidad también utilizando varios tipos de balas
- miras adaptadas también para apuntar con baja visibilidad
- después de disparar el último cartucho la cerradura queda abierta
- apropiada para el porte diario como un arma de servicio
- pistola equipada de manera standard con un seguro ambidiestro y un manipulador ambidiestro del decocking
- posible intercambio del seguro por el manipulador de decocking
- marco en la parte delantera provisto con ranuras de sujeción, para sujetar accesorios especiales

Explicaciones:

SA (Single Action)

La función simple del mecanismo de disparo. El martillo se monta manualmente y el disparo se efectúa después de apretar el disparador. El recorrido del disparador es corto, la resistencia es baja. El martillo permanece montado después de cada disparo.

DA (Double Action)

Función doble del mecanismo de disparo. Apretando el disparador, el martillo se monta y suelta. El recorrido del disparador es más largo y la resistencia del disparador es más alta que durante SA.

Elementos de seguridad de la pistola

Guardamonte

Impide un apretamiento accidental del disparador, por ejemplo durante una caída de la pistola.

Percutor dinámico

La construcción del percutor está solucionada de tal manera que el mismo no pueda sobresalir de la cerradura estando el martillo en la posición de reposo. Eso excluye la posibilidad del disparo durante la caída de la pistola cargada en el martillo.

Bloqueo del percutor

Impide el movimiento del percutor mientras el disparador no se encuentre presionado. Minimiza el riesgo de un disparo no intencionado durante un manipuleo inadecuado con el arma, sobre todo durante la caída de una pistola cargada.

Diente de seguridad

El engrane en el martillo que impide un disparo no intencionado en el caso que al montar el martillo manualmente éste se resbale. Cuando se encuentra el martillo en el diente de seguridad, no se apoya en la cerradura, sino que se encuentra inclinado un poco hacia atrás.

INSTRUCCIONES DE USO

Munición

Utilice exclusivamente una munición estándar de fabricación industrial y del calibre correspondiente, que responde a las prescripciones de CIP (Una organización internacional para pruebas de armas de fuego manuales y la munición) o SAAMI (una norma norteamericana para armas y munición). El uso de otro tipo de cartuchos podría causar fallas, daños en el arma o heridas al tirador. El fabricante no recomienda a disparar el arma en vacío (sin cartuchos). Para el entrenamiento sin disparar cartuchos de fuego real utilice los que son específicos para ese uso.

Retiro del cargador

Sujete la pistola con la mano derecha (izquierda), presione con el dedo pulgar (dedo medio) el retén del cargador (dib. 2). El cargador se afloja y sale del marco. La pistola viene provista por un retenedor universal del cargador, el cual puede ser desplazado por un armero con una pequeña vuelta para ser manipulado con la mano derecha o izquierda.

Cargar el cargador

Sujete el cargador en la mano con la boca hacia arriba. Coloque un cartucho a la parte delantera del aportador y presiónelo hacia abajo y para atrás, hasta que tope el lado posterior del cargador. Coloque el siguiente cartucho sobre el otro e introduzca de la misma manera. En caso, que ya se encuentran varios cartuchos en el cargador, es conveniente presionar un poco con el dedo pulgar la fila de cartuchos.

El número de cartuchos en el cargador puede constatar a través de los agujeros de inspección ubicados a los lados del cargador. No intente a extender la capacidad del cargador - ya que esto podría causar un acceso defectuoso del primer cartucho a la recámara.

Cargar la pistola

AL CARGAR LA PISTOLA APUNTE SIEMPRE HACIA UN ESPACIO SEGURO!

Introduzca el cargador lleno a la pistola y verifique que permanezca retenido por el retén del cargador.

Sujete la pistola con una mano por la empuñadura y con los dedos pulgar e índice de la otra mano agarre la parte ranurada de la cerradura. Hale la corredera en la dirección hacia atrás hasta el tope y suéltela (dib. 3). Durante este procedimiento se monta el martillo y el cartucho se introduce en la recámara. Ahora, la pistola está lista para disparar. Si no va a disparar de inmediato asegure el arma de cualquier forma indicada más adelante en la parte *Seguro de la pistola* respectivamente en la parte *Soltar el martillo (Decocking)*.

Recarga durante el tiro

Después de disparar el último cartucho, la corredera permanecerá en la posición posterior. Saque el cargador vacío e introduzca uno lleno. Con la mano que dispara presione el retén de la corredera en la dirección hacia abajo (dib. 4) o con la otra mano hale la corredera hacia atrás y suéltela. La pistola está nuevamente cargada y lista para disparar.

Descargar la pistola

APUNTE HACIA UN ESPACIO SEGURO!

- Retire el cargador
- Tire hacia atrás la corredera y verifique que la recámara se encuentra vacía
- Suelte la corredera hacia adelante
- Presione el disparador (disparo en seco)

Seguro de la pistola

La parte *Ajuste del seguro* no vale para la versión con decocking!

Desplace el seguro en la dirección hacia arriba a la posición de seguridad (dib. 5), hasta que cubra la marca roja. De esta manera el mecanismo disparador y la corredera quedan bloqueados y consecuentemente no es posible apretar el disparador ni movilizar la corredera. Es posible poner el seguro de la pistola también, cuando el martillo se encuentra en el diente de seguridad. Sin embargo, en este caso no se recomienda insistentemente poner el seguro, ya que en caso de montar el martillo bruscamente o de apretar el gatillo puede producirse un daño al mecanismo de disparo y causar un disparo no deseado a pesar de que el seguro está en la posición "Seguro". Ponemos el seguro de la pistola tan solamente cuando el martillo se encuentra en la posición posterior, entonces montado. Es adecuado utilizar el seguro sobre todo durante una corta interrupción de tiro.

Aparte del método previamente descrito es posible mantener la pistola con el cartucho en la recámara en un estado de seguridad, en el cual está preparada para el tiro inmediato:

Agarre la pistola cargada por la empuñadura, APUNTE HACIA UN ESPACIO SEGURO. Con el dedo pulgar presione la superficie ranurada del martillo, presione el diparador y traslade el martillo lentamente hacia adelante (dib. 6) hasta que se apoye de la cerradura o del diente de seguridad del martillo. Afloje el disparador. ¡Lleve a cabo este procedimiento con extrema cautela para impedir un disparo no intencionado! ¡Recomendamos practicar esta operación con la pistola descargada!

En este estado la pistola se encuentra segura para una manipulación de rutina y, a su vez, queda preparada para el uso inmediato. Recuerde, que la mejor manera de asegurar la pistola es tenerla descargada y guardada en un lugar seguro!

Soltar el martillo (Decocking)

La parte *Soltar el martillo* no vale para la versión con el seguro!

APUNTE HACIA UN ESPACIO SEGURO y presione el manipulador del decocking (dib. 7).

Presionando el manipulador del decocking, el martillo se traslada de la posición montada al diente de seguridad sin la necesidad de presionar el disparador. Si se encuentra algún cartucho en la recámara, soltando el martillo, la pistola está segura para una manipulación regular y lista para el tiro mediante la función DA.

Ajuste de miras

La mira de la pistola fue ajustada en la fábrica para una distancia de 25 m de tal forma, que el punto central del impacto esté en línea aproximadamente con el punto de mira. Es posible realizar la corrección lateral desplazando el alza en la cola de milano y asegurándola con un tornillo. La corrección de la elevación se realiza cambiando el punto de mira por uno más alto o más bajo y luego asegurando con un tornillo.

Recambio de lomos de la empuñadura

Cada pistola viene provista de un set de lomos intercambiables que facilitan la adaptación del tamaño de la parte trasera de la empuñadura según las necesidades individuales del usuario. Para cambiar un lomo de la empuñadura por el otro hay que extraer el pasador del tapón del muelle de percusión. Mientras sacando el pasador tenga mucho cuidado para evitar heridas ya que el pasador asegura tanto el tapón del muelle de percusión como el muelle de percusión presionado. Encargue la tarea a un armero.

Instalación del visor

Para instalar la placa situada debajo del visor se recomienda utilizar un fijador de roscas (por ejemplo, Loctite 243) y apretar los tornillos a 1,3 Nm. Después de aplicar el adhesivo, hay que dejar secar según las instrucciones del fabricante. Al instalar el visor, siga las instrucciones del fabricante

INSTRUCCIONES DE MANTENIMIENTO

Desmontaje del arma para la limpieza

APUNTAR HACIA UN ESPACIO SEGURO!

1. Retire el cargador. No es posible desmontar una pistola con el cargador adentro!
2. Desactive el seguro para poder movilizar la corredera.
3. ASEGÚRESE QUE NO HAYA NINGÚN CARTUCHO EN LA RECÁMARA!
4. Incline el martillo hacia atrás un poco y suéltelo, de manera que quede retenido en el diente de seguridad. En este estado la manipulación es la más fácil.
5. Pase el dedo pulgar de la mano izquierda a través del guardamonte, con los dedos restantes agarre la parte delantera de la cerradura.
6. Desplace un poco la cerradura hacia atrás hasta que la parte posterior de la cerradura se apoye en el martillo inclinado y las marcas en el armazón y la cerradura se encuentren en línea.
7. Desde el lado derecho presione (mediante un golpecito) el retenedor de la cerradura, por ejemplo empleando el fondo del cargador (dib. 8). Retire el retenedor de la cerradura desde el lado izquierdo.
8. Desplace la cerradura con el cañón para adelante.
9. Retire el muelle de avance con la guía y finalmente el cañón.

Este tipo de desmontaje es suficiente para un mantenimiento rutinario. Después de disparar una mayor cantidad de cartuchos desmonte también el percutor y el cargador y entregue la pistola a un armero para limpiar el percutor.

Desmontaje del cargador

Por el agujero en el fondo del cargador presione el pestillo del fondo del cargador y desplácelo unos 5 mm para adelante. Después coloque el dedo pulgar sobre la base para sostener el muelle y con la otra mano desplace el fondo de sus rieles de guía. Tenga mucho cuidado, que durante este desmontaje no se produzcan heridas por el muelle lanzado.

Recambio de elementos de manejo

Esta pistola fue diseñada de tal manera que facilite un intercambio fácil del seguro por el manipulador de decocking y viceversa. Esta operación se puede realizar aún sin utilizar herramientas especiales. El seguro izquierdo o el manipulador de decocking izquierdo es posible desmontar, solamente después de presionar el expulsor hacia abajo. Antes de realizar el montaje del seguro derecho o el manipulador de decocking derecho, es necesario bajar el tirante en la dirección hacia abajo.

La versión de seguro tiene montados solamente los seguros. En la versión de decocking hay que montar, aparte de los manipuladores, también el resorte del manipulador de tal manera que se apoye con su extremo más corto en la solapa del cuerpo del manipulador introduciéndose el otro extremo en la cavidad del pasador (dib. 9).

Recomendamos participar en una formación del intercambio de elementos de manejo supervisada por un armero calificado o ver los procedimientos instructivos en las páginas web de Česká zbrojovka.

ATENCIÓN:

No desmonte ningunas otras partes de la pistola. Si está convencido que su pistola necesita algún ajuste o reparación, asegúrese de encomendar esta tarea a un taller especializado!

Limpieza de la pistola

Limpie la pistola

- Después de cada uso
- Siempre después que entre en contacto con humedad
- Lo más antes posible después del disparo
- Por lo menos una vez al año en climas templados
- En condiciones climáticas exigentes por lo menos una vez al mes

Limpieza del ánima y la recámara

En caso que no se haya disparado de la pistola o si solamente se han disparado pocos cartuchos, limpie el ánima y la recámara con un pedazo de tela seca colocado en un extremo de una baqueta. Cambie los trapitos tantas veces, hasta que el último pedazo sea limpio.

Cuando el ánima se encuentre muy sucia, aplique en ella y en la recámara una solución limpiadora, deje actuar aproximadamente 10 minutos (el tiempo de actuación puede variar de acuerdo con el tipo del producto de limpieza) y limpie con un cepillo. Seque el ánima y la recámara con un pedazo de tela limpio y verifique, si se eliminaron todos los residuos. Repita el procedimiento en caso de necesidad.

Introduzca la baqueta y el cepillo en el cañón a través de la recámara para evitar que la boca del cañón se desgaste o dañe. Pase el cepillo por todo el largo del cañón antes de invertir el movimiento. Si trata de cambiar de dirección con el cepillo dentro del cañón, el cepillo podría atascarse.

Limpieza de otras partes de la pistola

Las otras partes del arma (incluyendo las superficies externas del cañón) deben limpiarse con una tela seca, un cepillo de dientes viejo, un cepillo de cerdas de bronce o un raspador de madera. Durante la limpieza se puede utilizar también un aceite de preservación o querosene. Sin embargo, no emplee nunca la solución determinada para la limpieza del ánima del cañón! Estas soluciones podrían permanecer en las hendiduras de los componentes y con el tiempo causar corrosión.

Comprobar que ningún trozo de tela o alguna cerda de cepillo hayan quedado alojados en alguna parte de la pistola.

Conservación

Una vez que el ánima del cañón, la recámara y todas las partes accesibles estén limpias y secas, frótelas con un paño remojado en aceite de preservación o aplique dicho aceite mediante un rociador. Retire luego el exceso de aceite.

Antes de disparar, seque completamente el ánima del cañón. Si utiliza la pistola en temperaturas muy bajas, retire el aceite de todas las partes accesibles y aplique un lubricante especial determinado para estas condiciones climáticas.

La grasa preservante utilice únicamente en el caso de un almacenaje de larga duración en condiciones climáticas extremas. Antes de usar la pistola, retire dicha grasa por completo.

Tratamiento de los residuos

Si son manejados de manera correcta, el material, los envases y los embalajes del producto no tienen ninguna incidencia negativa ni sobre la salud humana ni sobre el medio ambiente. Si necesita deshacerse del producto o su embalaje, los componentes metálicos (acero, metales de color), los plásticos, la madera y el papel-cartón tienen que ser depositados selectivamente en los contenedores destinados para estos materiales.

LISTA DE COMPONENTES

1 a) Armazón	27 Tapón del muelle de percusión
b) Lomo recambiable S/M/L	28 Perno del retén del martillo
2 Cerradura	29 Perno del martillo
3 Cañón	30 Perno del disparador
4 Retén de la corredera	31 Perno del retén del cargador
5 Cargador	32 Pasador del tapón del muelle de percusión
6 Bloque delantero	33 Pasador del extractor
7 Bloque trasero	34 Pasador del retén del cargador
8 Disparador	35 Pasador del bloque delantero
9 Tirante del disparador	36 Perno
10 Retén del martillo	37 Pasador del percutor
11 Martillo	38 Muelle de avance (completo)
12 Interruptor	39 Tornillo de aseguración (2x)
13 Palanca del bloqueo	40 Muelle del extractor
14 Desconector del tirante	41 Muelle del percutor
15 Eyector	42 Muelle del tope del bloqueo
16 Percutor	43 Muelle (2x)
17 Extractor	44 Pasador del muelle del retén de la corredera
18 Tope del bloqueo del percutor	45 Muelle de percusión
19 Retén del cargador	46 Muelle del disparador
20 Seguro izquierdo *	47 Muelle del retén de la corredera
21 Seguro derecho *	48 Resorte del manipulador de decocking *
22 Manipulador del decocking izquierdo *	49 Resorte del tirante
23 Manipulador del decocking derecho *	50 Muelle del retén del martillo
24 Alza *	51 Pasador del bloque trasero
25 Guión	
26 Varilla del muelle de percusión	

* Los componentes marcados así varían en cada versión, eventualmente en algunas faltan por completo.

ADAPTADOR CZ P-09 EN EL CAL. 22 LR

El adaptador para la pistola CZ P-09 en el calibre .22 LR se puede entregar en las siguientes versiones:

1. Un adaptador independiente, posible de instalar en el armazón de cualquier pistola CZ P-09
2. Pistola completa CZ P-09 en el calibre .22 LR

Las principales ventajas del adaptador son las siguientes:

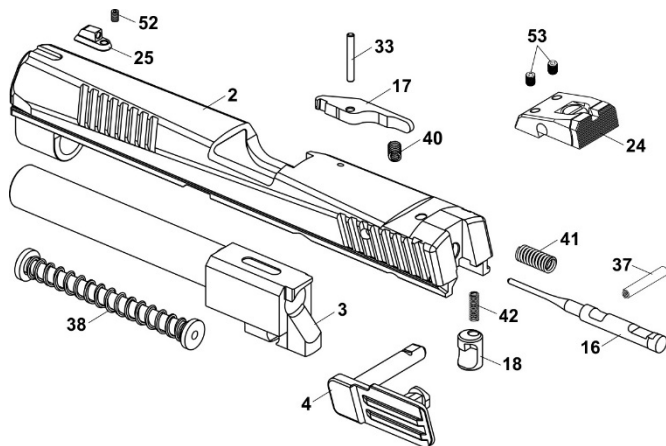
- Conserva las características típicas de la pistola CZ P-09
- Disparo económico, ventajoso ante todo para el entrenamiento
- Fácil montaje del adaptador en el armazón, sin la necesidad de un ajuste

Instalación del adaptador en el calibre .22 LR

Para utilizar el adaptador en el calibre .22 LR en una versión actual de la pistola no es necesario realizar ninguna modificación ni ajuste. Según las instrucciones indicadas en el capítulo *Desarme para la limpieza* hay que quitar el conjunto completo de la corredera y en el armazón de la pistola se coloca el adaptador en el calibre .22 LR. Con el adaptador hay que utilizar siempre un retén de la corredera marcado "22 LR" y un cargador en el calibre .22 LR.

MANUAL DE INSTRUCCIONES

Ilustración y lista de componentes del adaptador en el calibre .22 LR



- | | |
|----------------------------------|--------------------------------|
| 2 Cerradura | 33 Pasador del extractor |
| 3 Cañón | 37 Pasador del percutor |
| 4 Retén de la corredera | 38 Muelle de avance (completo) |
| 16 Percutor | 40 Muelle del extractor |
| 17 Extractor | 41 Muelle del percutor |
| 18 Tope del bloqueo del percutor | 42 Muelle del tope del bloqueo |
| 24 Alza | 52 Tornillo del punto de mira |
| 25 Guión | 53 Tornillo de aseguración |

ELIMINACIÓN DE FALLAS FUNCIONALES

Con un uso y mantenimiento correcto hay muy poca probabilidad que se produzca una avería. En caso de producirse tal situación, diríjase con las siguientes instrucciones.

ATENCIÓN - En caso que se produzca una falla durante el disparo, aumenta notablemente la probabilidad de un disparo no intencionado. Por esta razón, durante la eliminación de la falla mantenga al pie de letra las instrucciones de seguridad indicadas más arriba. Apunte siempre hacia un espacio seguro, no dé la vuelta a la pistola enfrente suyo ni frente a otras personas, no coloque las manos delante de la boca del cañón!

Si utiliza la pistola solamente para su protección personal o con fines de servicio, consiga tan llamados cartuchos de escuela y entrene una eliminación rápida de fallas abajo descritas.

Falla	Causa probable	Forma de eliminarla
El cartucho no entra en la recámara o no ajusta la cerradura	El cargador no está encajado suficientemente o se encuentra averiado. El arma o los cartuchos están sucios o excesivamente lubricados.	Introduzca correctamente el cargador o utilice uno nuevo. Limpie el arma y los cartuchos, eventualmente lubrique suavemente.
Fallos al disparar	Cartucho defectuoso. El agujero del percutor se encuentra sucio o se utilizó un lubricante inadecuado bajo temperaturas ambientales bajas.	Vuelva a apretar el disparador. Si no se produzca el disparo prosiga según el punto 19 de las Instrucciones de seguridad. Desmonte y limpie el percutor, eventualmente utilice un lubricante para temperaturas bajas.
El disparo suena "débil", la cartuchera no fue expulsada	El fulminante se activó, pero no hubo pólvora en la cartuchera.	Descargue el arma y compruebe que la bala no ha quedado atascada en el cañón. Un siguiente disparo eventual podría ocasionar serios daños al cañón!

MANUAL DE INSTRUCCIONES

La vaina no ha sido expulsada	La recámara, el extractor o la munición sucios, eventualmente el uso de un lubricante inadecuado para temperaturas bajas.	Limpie y seque la pistola, eventualmente lubríquela con un lubricante adecuado. Utilice munición nueva y limpia.
-------------------------------	---	--

Si no es posible, reparar la fallas según las instrucciones arriba descritas, entregue la pistola para una revisión y reparación en un taller especializado.

LISTA DE GRÁFICOS

1. Denominación de los componentes básicos
2. Retiro del cargador
3. Carga la pistola
4. Liberación de la corredera de su "posición de alerta" (de la "posición de caza") presionando el retén de la corredera
5. Desplazamiento del seguro a la posición de seguridad
6. Liberación del martillo en la versión con el seguro
7. Liberación del martillo en la versión sin el seguro
8. Presionando el retenedor de la cerradura utilizando el fondo del cargador
9. Vista detallada de manipuladores de decocking montados

El productor se reserva el derecho de realizar cambios que podría considerar indispensables para mejorar sus modelos o para satisfacer los requerimientos de la producción o del comercio.

Dříve než začnete zacházet s pistolí, seznamte se s tímto návodem a zvláště s následujícími bezpečnostními pokyny.

Nesprávné a nedbalé zacházení s pistolí může způsobit neúmyslný výstřel, který může mít za následek zranění, smrt nebo škodu na majetku. Stejně následky mohou mít svévolné úpravy, koroze nebo používání nepředepsaných nebo poškozených nábojů. V těchto případech nemůže výrobce nést za vzniklé následky odpovědnost. Předtím, než byla tato pistole dána do prodeje, byla přezkoušena, pečlivě prohlédnuta a zabalena. CZ nemůže kontrolovat zacházení s pistolí potom, co opustí továrnu. Proto si při koupi této pistole ověřte, že je nenabitá a nepoškozená.

Tato příručka s instrukcemi by měla být vždy k pistolí přiložena a to i v případech, že pistolí někomu půjčíte nebo prodáte.

OBSAH

BEZPEČNOSTNÍ POKYNY	34
NÁZVOSLOVÍ A POPIS	
Bezpečnostní prvky pistole	37
POKYNY PRO POUŽÍVÁNÍ	38
Střelivo	38
Vyjmutí zásobníku	38
Plnění zásobníku	38
Nabíjení pistole	38
Přebíjení během střelby	39
Vybití pistole	39
Zajištění pistole	39
Vypouštění kohoutku	40
Nastavení mířidel	40
Výměna hřbetu rukojeti	40
Montáž kolimátoru	40
POKYNY PRO ÚDRŽBU	41
Rozborka pro čištění	41
Demontáž zásobníku	41
Výměna ovládacích prvků	41
Čištění pistole	42
Čištění vývrtu a nábojové komory	42
Čištění ostatních částí pistole	42
Konzervace	43
Nakládání s odpady	43
SEZNAM SOUČÁSTEK	44
ADAPTÉR CZ P-09 V RÁŽI .22 LR	45
ODSTRAŇOVÁNÍ FUNKČNÍCH ZÁVAD	47
SEZNAM OBRÁZKŮ	48

BEZPEČNOSTNÍ POKYNY

Dbejte dodržování bezpečnostních pokynů pro bezpečnost vaši a bezpečnost ostatních.

1. Vždy zacházejte se svou pistolí, jako kdyby byla nabitá.
2. Nikdy svou pistolí nemiřte na cokoliv, na co nemíníte střílet.
3. Nikomu nevěřte, že zbraň není nabitá.
4. Než pistolí odložíte nebo předáte jiné osobě, vždy se přesvědčte, že není nabitá.
5. Pistolí přechovávejte nenabitou, s kohoutkem v přední poloze.
6. Nikdy nepoužívejte pistolí k jinému účelu než ke střelbě.
7. Nabitou pistolí nikdy nenechávejte bez dozoru.
8. Před nabitím zbraně se přesvědčte, že vývrt hlavně, komora a závěr jsou čisté a bez překážek. Pistolí znečištěnou od střelby co nejdříve vyčistěte.
9. Nestřílejte ze zbraně, pokud si nejste jisti střelivem, které používáte. Nepoužívejte neoznačené nebo ručně přebíjené střelivo neznámého původu, střelivo s naprasklou, deformovanou nebo promáčknutou nábojnicí nebo střelou vykazující známky poškození. Přebíjení je odborná činnost a nesprávně (chybně) přebíjené střelivo může být extrémně nebezpečné. Výsledkem může být těžké poškození/zničení zbraně a vážná zranění či smrt střelce i dalších osob. Používejte pouze čisté, suché, originální - továrně vyrobené střelivo vysoké kvality, v dobrém stavu, příslušné pro ráži vaší pistole.
10. Před střelbou ani během střelby nepijte alkoholické nápoje a neužívejte drogy.
11. Pokud je to možné, používejte při střelbě chrániče sluchu a ochranné střelecké brýle.
12. Když je pistole nabitá a natažena, mějte pojistku v poloze zajištěno až do okamžiku, kdy jste připraveni ke střelbě. Při odjišťování miřte do bezpečného prostoru.
13. Neblokujte výhozná okénka a dbejte na to, aby nikdo nepřekážel ve směru vyhozené nábojnice.
14. Nemačkejte spoušť ani nedávejte prsty do lučičku spouště, pokud nemíříte na cíl a nejste připraveni střílet.
15. Než stisknete spoušť, ještě jednou si zkontrolujte váš cíl a prostor za ním. Střela může letět skrze nebo mimo váš cíl ještě několik stovek metrů.
16. Nikdy nestřílejte na vodní hladinu nebo na tvrdý povrch, jako je kámen.
17. Nestřílejte z pistole poblíž zvířete, pokud není na tento hluk vycvičeno.
18. Pokud držíte pistolí, nikdy se neoddávejte "hrubým žertům".
19. Selhání výstřelu: V případě, že nedojde k výstřelu, držte zbraň namířenou na cíl nebo do bezpečného prostoru a počkejte třicet sekund. Pokud nastal

NÁVOD NA POUŽITÍ

zpožděný zápal, náboj do třiceti sekund vystřelí. Jestliže k výstřelu nedojde, vyjměte náboj z hlavně a prohlédněte jej. Je-li otisk od zápalníku na náboji slabý nebo žádný, nechte před další střelbou zbraň prohlédnout kvalifikovaným zbrojířem.

20. Před čistěním, skladováním nebo dopravou se vždy přesvědčte, že vaše pistole není nabita.
21. Pistoli a střelivo přechovávejte v odděleném a uzamčeném prostoru mimo dosah a dohled dětí a nepovolaných osob.
22. Nikdy neupravujte součástky pistole. Můžete tak závažným způsobem narušit správnou funkci pistole nebo její bezpečnost.
23. Pamatujte, že koroze, použití vadných nábojů, pád pistole na tvrdý povrch nebo jiné "hrubé zacházení" může způsobit poškození, které nemusí být na první pohled patrné. Pokud k něčemu takovému dojde, nechte pistoli prověřit u odborníka.

NÁZVOSLOVÍ A POPIS

Názvy základních částí pistole používané v tomto návodu jsou uvedeny na obrázku 1 na vnitřní straně obálky. Názvy všech součástek pistole jsou uvedeny v kapitole *Seznam součástek*.

Pistole CZ P-09 je samonabíjecí ruční palná zbraň s krátkým zákluzem hlavně, určená pro mířenou střelbu do dálky 50 metrů. Má uzamčený závěrový systém. Je vybavena dvojčinným spouštovým mechanismem SA/DA, blokováním zápalníku, bezpečnostním ozubem na kohoutku a ruční pojistkou, která může být snadno demontována a nahrazena ovladačem vypouštění kohoutku. Rám pistole je plastový. Mezi charakteristické vlastnosti pistole patří:

- dobré držení v každé ruce
- dobré výsledky při pudové střelbě (bez míření)
- nízký odpor spouště
- vysoká přesnost střelby
- vysoká životnost
- vysoká spolehlivost i při použití různých typů střel
- mířidla jsou uzpůsobena i pro míření za snížené viditelnosti
- po vystřelení posledního náboje zůstane závěr otevřený
- vhodnost pro každodenní nošení jako služební zbraň
- pistole je standardně vybavena oboustrannou pojistkou nebo oboustranným ovladačem vypouštění
- možnost vzájemné výměny pojistky za ovladač vypouštění kohoutku
- rám je v přední části opatřen upínacími drážkami pro připevnění zvláštního příslušenství

Vysvětlivky:

SA (Single Action)

Jednočinná funkce spoušťového mechanismu. Kohoutek se natáhne rukou a po stisknutí spouště dojde k výstřelu. Dráha spouště je krátká, odpor je nízký. Po každém výstřelu zůstane kohoutek natažený.

DA (Double Action)

Dvojitá funkce spoušťového mechanismu. Během mačkání spouště se kohoutek napne a vypustí. Dráha spouště je delší a odpor je vyšší než při SA.

Bezpečnostní prvky pistole

Lučik

Zabraňuje nezamýšlenému stisknutí spouště, například při pádu pistole.

Dynamický zápalník

Zápalník je konstrukčně řešen tak, aby nemohl vyčnívat ze závěru při kohoutku v klidové poloze. To vylučuje možnost výstřelu při pádu nabitě pistole na kohoutek.

Blokování zápalníku

Zabraňuje pohybu zápalníku, pokud není spoušť stisknuta. Minimalizuje riziko nechtěného výstřelu při nevhodném zacházení se zbraní, zejména při pádu nabitě pistole.

Bezpečnostní ozub na kohoutku

Zářez na kohoutku, který zabrání nechtěnému výstřelu v případě, že během ručního napínání kohoutku dojde k jeho vyklouznutí. Když je kohoutek na bezpečnostním ozubu, neopírá se o závěr, ale je poněkud vykloněn dozadu.

POKYNY PRO POUŽÍVÁNÍ

Střelivo

Používejte výhradně náboje tovární výroby příslušné ráže, které odpovídají předpisům CIP (Mezinárodní organizace pro zkoušení ručních palných zbraní a střeliva) nebo SAAMI (americká norma pro zbraně a střelivo). Použití jiných nábojů může způsobit poškození zbraně nebo zranění střelce. Výrobce nedoporučuje ze zbraně střílet naprázdno (bez nábojů) neboť může docházet k nežádoucímu opotřebením zbraně. Pro tzv. „suchý trénink“ je vhodné používat atrapy náboje, které jsou k tomuto používání uzpůsobeny.

Vyjmutí zásobníku

Uchopte pistoli do pravé (levé) ruky, palcem (prostředníkem) stisknete zádržku zásobníku (obr. 2). Zásobník se uvolní a vypadne z rámu. Pistole je opatřena univerzální zádržkou zásobníku, která může být zbrojířem otočena pro ovládání pravou nebo levou rukou.

Plnění zásobníku

Zásobník uchopte do ruky ústím nahoru. Položte náboj na přední část podavače a stlačte jej dolů a dozadu, až se dotkne zadní stěny zásobníku. Další náboj umístěte na předcházející a zasuňte stejným způsobem. Je-li v zásobníku již větší počet nábojů, je vhodné palcem ruky, která drží zásobník, poněkud stlačit sloupec nábojů.

Počet nábojů v zásobníku můžete sledovat kontrolními otvory v jeho stěnách. Nepokoušejte se překročit kapacitu zásobníku - mohlo by to způsobit vadné podání prvního náboje do komory.

Nabíjení pistole

PŘI NABÍJENÍ MĚJTE PISTOLI VŽDY ZAMÍŘENU DO BEZPEČNÉHO PROSTORU!

Vsuňte plný zásobník do pistole a přesvědčte se, že je zachycen zádržkou zásobníku.

Uchopte pistoli jednou rukou za rukojeť a palcem a ukazováčkem druhé ruky uchopte drážkovanou část závěru. Závěr natáhněte směrem dozadu až na doraz a vypusťte (obr. 3). Přitom se natáhne kohoutek a do komory se zasune náboj. Nyní je pistole připravena ke střelbě. Pokud nehodláte bezprostředně střílet, zajistěte pistoli některým ze způsobů uvedených dále v části *Zajištění pistole* respektive v části *Vypouštění kohoutku*.

Přebíjení během střelby

Po vystřelení posledního náboje zůstane závěr v zadní poloze. Vyměňte prázdný zásobník a vsuňte naplněný. Střílející rukou stiskněte záchyt závěru směrem dolů (obr. 4), nebo druhou rukou natáhněte závěr dozadu a vypusťte jej. Pistole je opět nabitá a připravena ke střelbě.

Vybíjení pistole

ZAMIŘTE DO BEZPEČNÉHO PROSTORU!

- vyměňte zásobník
- natáhněte závěr a přesvědčte se, že nábojová komora je prázdná
- vypusťte závěr dopředu
- stiskněte spoušť (rána jistoty)

Zajištění pistole

Část *Zajištění pistole* neplatí pro provedení s vypouštěním kohoutku!

Přesuňte pojistku směrem nahoru do zajištěné polohy (obr. 5), až se zakryje červená značka. Tím zablokujete spoušťový mechanismus a závěr, takže není možné stisknout spoušť, ani pohybovat se závěrem. Pojistku lze zajistit i když je kohoutek na bezpečnostním ozubu. V tomto případě se však zajištění pistole důrazně nedoporučuje, protože při násilném natažení kohoutku nebo stisknutí spouště může být spoušťový mechanismus poškozen a dojít k nežádoucímu výstřelu i přesto, že je pojistka v poloze "Zajištěno". Pistoli proto zajišťujte jen tehdy, je-li kohoutek v zadní poloze, tedy napnut. Je vhodné pojistku používat zejména při krátkodobém přerušení střelby.

Kromě popsaného způsobu je možné pistoli s nábojem v komoře uvést do bezpečného stavu, ve kterém je připravena k okamžité střelbě:

Nabijte pistoli, uchopte ji za rukojeť, ZAMIŘTE DO BEZPEČNÉHO PROSTORU, palcem zatlačte na rýhovanou plochu (palečník) kohoutku, stiskněte spoušť a kohoutek pomalu přesouvejte dopředu (obr. 6), až se opře o závěr nebo bezpečnostní ozub na kohoutku. Uvolněte spoušť. Tento úkon provádějte velmi opatrně, aby nedošlo k nechtěnému výstřelu! Celý postup si nejdříve důkladně nacvičte bez nábojů!

V tomto stavu je pistole bezpečná pro běžnou manipulaci a přitom je připravena k okamžitému použití. Pamatujte, že nejbezpečnější zajištění pistole je její vybití a uložení na bezpečném místě!

Vypouštění kohoutku

Část *Vypouštění kohoutku* neplatí pro provedení s pojistkou!

ZAMIŘTE DO BEZPEČNÉHO PROSTORU a stiskněte ovladač vypouštění (obr. 7).

Stisknutím ovladače vypouštění se kohoutek přesune z napnuté polohy na bezpečnostní ozub bez nutnosti stisknout spoušť. Je-li přítom v komoře náboj, pistole je po vypouštění kohoutku bezpečná pro běžnou manipulaci a je pohotová ke střelbě pomocí funkce DA.

Nastavení mířidel

Pistole byla ve výrobním podniku nastřelena na vzdálenost 25 m tak, že střední bod zásahu se přibližně shoduje se záměrným bodem. Stranovou korekci je možné provést posunutím hledí v rybinovité drážce a jeho zajištěním šroubkem. Výšková korekce se provádí výměnou mušky za vyšší nebo nižší a následným zajištěním šroubkem.

Výměna hřbetu rukojeti

Ke každé pistoli se dodává sada výměnných hřbetů, které umožňují přizpůsobení zadního tvaru rukojeti dle potřeby konkrétního uživatele. Výměna typu hřbetu za jiný se provádí po vyjmutí kolíku zátky bicí pružiny. Při této demontáži buďte velmi opatrní, aby nedošlo ke zranění, protože kolík zajišťuje zátku včetně stlačené bicí pružiny. Tuto výměnu svěřte zbrojí.

Montáž kolimátoru

Při montáži destičky pod kolimátor doporučujeme použít zajišťovač závitů (například Loctite 243) a šrouby dotáhnout utahovacím momentem 1,3 Nm. Po aplikaci je potřeba nechat použité lepidlo zaschnout dle pokynů výrobce. Při montáži kolimátoru postupujte dle pokynů jeho výrobce.

POKYNY PRO ÚDRŽBU

Rozborka pro čištění

ZAMIŘTE DO BEZPEČNÉHO PROSTORU!

1. Vyjměte zásobník. Pistole se zasunutým zásobníkem je nerozebíratelná!
2. Je-li pistole opatřena pojistkou, odjistěte ji, aby bylo možné pohybovat se závěrem.
3. PŘESVĚDČTE SE, ŽE V NÁBOJOVÉ KOMOŘE NENÍ NÁBOJ!
4. Vykleňte kohoutek mírně dozadu a uvolněte jej, takže zůstane zachycen na bezpečnostním ozubu. V tomto stavu bude další manipulace nejsnazší.
5. Prostrčte palec levé ruky lučičkem, zbývajícími prsty uchopte shora přední část závěru.
6. Posuňte závěr kousek dozadu, až se zadní část závěru opře o vykloněný kohoutek a rysky na rámu a závěru budou vyrovnány.
7. Z pravé strany zatlačte (klepněte) na záchyt závěru, např. dnem zásobníku (obr. 8). Vyjměte záchyt závěru z levé strany.
8. Závěr s hlavní vysuňte dopředu.
9. Vyjměte vratnou pružinu a nakonec hlaveň.

Potud provedená rozborka pro běžnou údržbu stačí. Po vystřelení velkého počtu nábojů demontujte rovněž zásobník a předejte pistoli zbrojíři k vyčištění zápalníku.

Demontáž zásobníku

Otvorem ve dně zásobníku zatlačte na západku dna a vysuňte dno zásobníku asi o 5 mm dopředu. Potom dejte nade dno palec, abyste jím přidrželi pružinu, a druhou rukou vysuňte dno z vodicích drážek. Při této demontáži buďte velmi opatrní, aby nedošlo ke zranění vyvrstvenou pružinou.

Výměna ovládacích prvků

Tato pistole byla konstrukčně navržena tak, aby umožňovala snadnou záměnu pojistky za ovladač vypouštění kohoutku a naopak. Lze ji provést i bez použití speciálního nářadí. Pojistku levou nebo ovladač vypouštění levý lze demontovat až po zatlačení vyhazovače směrem dolů. Před montáží pojistky pravé nebo ovladače vypouštění pravého je nutné snížit táhlo směrem dolů. Do pojistkového provedení se zamontovávají pouze pojistky. Do vypouštěcího provedení se mimo ovladačů musí zamontovat i pružina ovladače a to tak, aby byla kratším koncem opřena o výstupek těla ovladače a druhým koncem vložena do dutiny kolíku (obr. 9).

NÁVOD NA POUŽITÍ

Doporučujeme absolvovat zaškolení výměny ovládacích prvků pod dohledem kvalifikovaného zbrojře nebo instruktážní postupy shlédnout na internetových stránkách České zbrojovky.

UPOZORNĚNÍ: Žádné další díly pistole nedemontujte. Pokud se domníváte, že pistole vyžaduje seřízení nebo opravu, svěřte ji odborné dílně!

Čistění pistole

Čistěte pistoli

- po každém použití
- po každém navlhnutí
- co nejdříve po střelbě
- v mírných klimatických podmínkách nejméně jednou za rok
- v náročných klimatických podmínkách nejméně jednou měsíčně

Čistění vývrtu a nábojové komory

Pokud nebylo z pistole stříleno nebo bylo vystřeleno jen několik nábojů, vytřejte vývrt a nábojovou komoru suchým hadříkem navlečeným do vytěráku. Hadříky vyměňujte tak dlouho, až bude poslední kousek čistý.

Pokud je vývrt silně znečištěn, naneste do něj a do komory kartáčkem čisticí roztok, nechte asi 10 minut působit (doba působení se může u různých čisticích prostředků lišit) a vyčistěte kartáčkem. Vysušte vývrt a komoru čistým hadříkem a zkontrolujte, zda byly všechny spaliny odstraněny. V případě potřeby postup opakujte.

Vytěrák i kartáček zasouvejte do hlavně od komory, abyste nepoškodili ústí hlavně. Kartáček protlačujte celou hlavní, než změníte směr pohybu. Pokud byste změnil směr pohybu s kartáčkem v hlavní, mohl by se kartáček v hlavní vzpříčit.

Čistění ostatních částí pistole

Ostatní části pistole (včetně vnějších ploch hlavně) čistěte suchým hadříkem, starým kartáčkem na zuby, mosazným kartáčkem nebo dřevěnou škrabkou. Při čistění můžete použít i konzervační olej nebo petrolej. Nikdy však nepoužívejte roztok určený pro čistění vývrtu! Ten by mohl zůstat ve spárách mezi součástkami a po delší době způsobit korozi.

Prěsvědčte se, že zbytky hadříku nebo štětiny z kartáčku neuvízly v žádné části pistole.

Konzervace

Vývrt, nábojovou komoru a všechny přístupné součásti po vyčištění do sucha potřete hadříkem zvlhčeným v konzervačním oleji nebo použijte olej ve spreji. Přebytečný olej setřete.

Před střelbou vytřete vývrt do sucha. Používáte-li pistoli při nízkých teplotách, odstraňte olej ze všech přístupných částí nebo použijte speciální mazadlo určené pro tyto podmínky.

Konzervační vazelínu používejte jen pro dlouhodobé skladování v náročných klimatických podmínkách a před použitím pistole ji důkladně odstraňte.

Nakládání s odpady

Materiály výrobku a obalu nemají při správném používání žádné negativní dopady na zdraví člověka ani životní prostředí. V případě nutnosti odstranění výrobku nebo jeho obalu platí, že kovové součásti (ocel a barevné kovy), plasty, dřevo, papír a lepenka se ukládají odděleně do sběrných nádob k tomu určených.

NÁVOD NA POUŽITÍ

SEZNAM SOUČÁSTEK

- | | |
|-------------------------------|----------------------------------|
| 1 a) Rám | 26 Tyčka bicí pružiny |
| b) Výměnný hřbet S/M/L | 27 Zátka bicí pružiny |
| 2 Závěr | 28 Čep záchytu kohoutku |
| 3 Hlaveň | 29 Čep kohoutku |
| 4 Záchyt závěru | 30 Čep spouště |
| 5 Zásobník | 31 Čep zádržky zásobníku |
| 6 Přední blok | 32 Kolík zátky bicí pružiny |
| 7 Zadní blok | 33 Čep vytahovače |
| 8 Spoušť | 34 Kolík zádržky zásobníku |
| 9 Táhlo | 35 Kolík předního bloku |
| 10 Záchyt kohoutku | 36 Čep |
| 11 Kohoutek | 37 Kolík zápalníku |
| 12 Přerušovač | 38 Vratná pružina (sestava) |
| 13 Páka blokování | 39 Zajišťovací šroub (2x) |
| 14 Vypínač táhla | 40 Pružina vytahovače |
| 15 Vyhazovač | 41 Pružina zápalníku |
| 16 Zápalník | 42 Pružina dorazu blokování |
| 17 Vytahovač | 43 Pružina (2x) |
| 18 Doraz blokování zápalníku | 44 Kolík pružiny záchytu závěru |
| 19 Zádržka zásobníku | 45 Pružina bicí |
| 20 Pojistka levá * | 46 Pružina spouště |
| 21 Pojistka pravá * | 47 Pružina záchytu závěru |
| 22 Ovladač vypouštění levý * | 48 Pružina ovladače vypouštění * |
| 23 Ovladač vypouštění pravý * | 49 Pružina táhla |
| 24 Hledí * | 50 Pružina záchytu kohoutku |
| 25 Muška | 51 Kolík zadního bloku |

* Takto označené součástky jsou u jednotlivých provedení odlišné, případně u některých provedení zcela chybí.

ADAPTÉR CZ P-09 V RÁŽI .22 LR

Adaptér pro pistoli CZ P-09 v ráži .22 LR lze dodávat v těchto variantách:

1. Samostatný adaptér, který může být zamontován na rám libovolné pistole CZ P-09
2. Kompletní pistole CZ P-09 v ráži .22 LR

Mezi hlavní přednosti adaptéru patří:

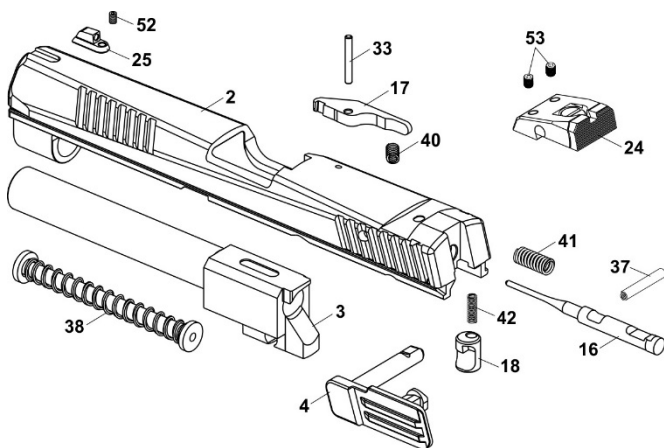
- zachování typických vlastností pistole CZ P-09
- ekonomičnost střelby, výhodná zejména při tréninku
- snadná montáž adaptéru na rám, bez nutnosti dolícování

Instalace adaptéru v ráži .22 LR

Pro použití adaptéru v ráži .22 LR na existujícím provedení pistole není potřeba provádět žádné úpravy ani dolícování. Dle pokynů popsaných v kapitole *Rozborka pro čištění* se provede sejmutí existující sestavy závěru úplného a na rám pistole se namontuje adaptér v ráži .22 LR. S adaptérem je vždy nutné používat dodaný záchyt závěru označený "22 LR" a zásobník v ráži .22 LR.

NÁVOD NA POUŽITÍ

Vyobrazení a seznam součástí adaptéru v ráži .22 LR



- | | |
|------------------------------|-----------------------------|
| 2 Závěr | 33 Čep vyťahovače |
| 3 Hlaveň | 37 Kolík zápalníku |
| 4 Záchyt závěru | 38 Vratná pružina (sestava) |
| 16 Zápalník | 40 Pružina vyťahovače |
| 17 Vytahovač | 41 Pružina zápalníku |
| 18 Doraz blokování zápalníku | 42 Pružina dorazu blokování |
| 24 Hledí | 52 Šroub mušky |
| 25 Muška | 53 Zajišťovací šroub |

NÁVOD NA POUŽITÍ

ODSTRAŇOVÁNÍ FUNKČNÍCH ZÁVAD

Při správném používání a údržbě je pravděpodobnost vzniku závad minimální. Pokud tato situace přesto nastane, řiďte se následujícími pokyny.

POZOR - pokud vznikne při střelbě závada funkce, mimořádně se zvyšuje pravděpodobnost nechtěného výstřelu. Proto při odstraňování závady důsledně dodržujte dříve uvedené bezpečnostní pokyny. Mířte neustále do bezpečného prostoru, neotáčejte pistoli proti sobě ani proti jiným osobám, nedávejte ruce před ústí hlavně!

Jestliže svou pistoli používáte pro osobní ochranu nebo pro služební účely, obstarejte si tzv. "školní náboje" a nacvičte si rychlé odstraňování níže popsanych závad.

Závada	Pravděpodobná příčina	Způsob odstranění
Nepodání náboje do komory nebo nedovření závěru	Zásobník není dostatečně zasunut nebo je poškozený. Zbraň nebo náboje jsou znečistěny nebo příliš silně namazány.	Zasuňte řádně zásobník nebo použijte jiný. Vyčistěte zbraň a náboje do sucha, případně lehce namažte.
Selhač	Použitý náboj je vadný. Znečistěný otvor pro zápalník nebo nevhodné mazadlo při nízké okolní teplotě.	Znovu stiskněte spoušť. Pokud nedojde k výstřelu, postupujte podle bodu 19 bezpečnostních pokynů. Demontujte a vyčistěte zápalník, případně použijte mazadlo pro nízké teploty.
"Slabá rána" spojená s nevyhozením nábojnice	Zápalka byla aktivována, ale v nábojnici nebyl prach.	Vybijte zbraň a přesvědčte se, zda střela neuvízla v hlavni. Případný další výstřel by mohl vážně poškodit hlavě!
Nevyhození	Znečistěná nábojová komora, vytahovač nebo střelivo, případně použití nevhodného mazadla při nízké teplotě.	Vyčistěte pistoli do sucha, případně lehce namažte vhodným mazadlem. Používejte nové čisté střelivo.

NÁVOD NA POUŽITÍ

Pokud nelze závadu odstranit žádným z výše uvedených způsobů, svěťte pistoli k prohlídce a opravě odborné dílně.

SEZNAM OBRÁZKŮ

1. Názvosloví hlavních dílů
2. Vyjmutí zásobníku
3. Nabíjení pistole
4. Vypuštění závěru ze "střelecké pohotovosti" stlačením záchyty závěru
5. Přesunutí pojistky do zajištěné polohy
6. Vypuštění kohoutku u provedení s pojistkou
7. Vypuštění kohoutku u provedení bez pojistky
8. Zatlačení záchyty závěru dnem zásobníku
9. Detail na zamontované ovladače vypouštění kohoutku

Výrobce si ponechává právo provést změny, které považuje za nezbytné pro vylepšení svých modelů, nebo aby vyhověl požadavkům výrobní nebo obchodní povahy.

Bevor Sie die Pistole benutzen, machen Sie sich bitte mit dieser Anleitung und besonders mit den folgenden Sicherheitsbestimmungen vertraut.

Durch falschen und nachlässigen Umgang mit der Pistole kann es zu einem unbeabsichtigten Schuß kommen, der Personen- oder Sachschaden verursachen kann. Die gleichen Folgen können Korrosion, eigenmächtige Veränderungen an der Waffe oder der Gebrauch von nicht vorschriftsmäßiger bzw. beschädigter Munition haben. In diesen Fällen kann der Hersteller keine Verantwortung für die entstandenen Folgen übernehmen. Die Pistole wurde vom Hersteller sorgfältig getestet, überprüft und verpackt. Nachdem die Pistole das Herstellerwerk verlassen hat, kann CZ den weiteren Umgang mit ihr nicht kontrollieren. Überprüfen Sie deshalb beim Kauf der Waffe, dass die Pistole ungeladen und unbeschädigt ist.

Diese Bedienungsanleitung sollte der Pistole immer beigelegt werden. Dies gilt auch für den Fall des Verleihs oder Verkaufs der Pistole.

INHALT

SICHERHEITSBESTIMMUNGEN	50
FACHAUSDRÜCKE UND BESCHREIBUNG	52
Sicherheitselemente	53
GEBRAUCHSANWEISUNGEN	54
Munition	54
Herausnehmen des Magazins	54
Füllen des Magazins	54
Laden der Pistole	54
Nachladen während des Schießens	55
Entladen der Pistole	55
Sicherung der Pistole	55
Entspannen des Hahns	56
Einstellen der Visiereinrichtungen	56
Austausch des Handgriffrückens	56
Montage des Kollimatorvisiers	56
PFLEGEANWEISUNGEN	57
Zerlegen zur Reinigung	57
Ausbau des Magazins	57
Wechsel der Bedienelemente	57
Reinigung der Pistole	58
Reinigung von Laufbohrung und Patronenkammer	58
Reinigung der anderen Pistolenteile	59
Konservierung	59
Abfallentsorgung	59
VERZEICHNIS DER BESTANDTEILE	60
CZ P-09 ADAPTER KALIBER .22 LR	61
BEHEBUNG VON FUNKTIONSSTÖRUNGEN	63
VERZEICHNIS DER ABBILDUNGEN	64

SICHERHEITSBESTIMMUNGEN

Bitte beachten Sie die folgenden Sicherheitsbestimmungen zu Ihrer eigenen Sicherheit und zur Sicherheit anderer Personen.

1. Gehen Sie mit Ihrer Pistole immer so um, als ob sie geladen wäre.
2. Zielen Sie mit Ihrer Pistole nie auf ein Objekt, auf das Sie nicht schießen wollen.
3. Vertrauen Sie nicht darauf, wenn Ihnen jemand sagt, daß die Pistole nicht geladen ist.
4. Bevor Sie die Pistole ablegen oder an eine andere Person übergeben, überzeugen Sie sich immer davon, daß sie nicht geladen ist.
5. Tragen bzw. verwahren Sie die Pistole ungeladen, mit dem Hahn in der Vorderlage, außer Sie haben vor zu schießen.
6. Benutzen Sie die Pistole nie zu einem anderen Zweck als zum Schießen.
7. Lassen Sie die Pistole nie ohne Aufsicht gespannt und geladen.
8. Vor dem Laden der Pistole überzeugen Sie sich stets davon, daß Laufbohrung, Kammer und Verschluss sauber und frei von Hindernissen sind. Reinigen Sie die vom Schießen verschmutzte Pistole möglichst bald nach der Benutzung, damit Funktion und Sicherheit der Waffe gewährleistet bleiben.
9. Nicht mit der Waffe schießen, wenn Sie sich nicht sicher sind, was für Munition Sie benutzen. Keine nicht gekennzeichnete oder wiedergeladene Munition unbekannter Herkunft, Munition mit geplatzter, deformierter oder eingebeulter Hülse oder beschädigte Munition benutzen. Das Wiederladen ist eine spezialisierte Tätigkeit und falsch geladene Munition kann extrem gefährlich sein. Folge können schwere Beschädigung oder die Zerstörung der Waffe und ernste Verletzungen oder Tod des Schützens oder auch weiterer Personen sein. Benutzen Sie nur saubere, trockene, original in der Fabrik gefertigte Munition von hoher Qualität, die für Ihr Pistolenskaliber geeignet ist.
10. Vermeiden Sie vor und während des Schießens den Genuß von Alkohol und nehmen Sie keine Drogen ein.
11. Tragen Sie beim Schießen immer Gehörschutz und Schutzbrille.
12. Wenn die Pistole geladen und gespannt ist, lassen Sie die Sicherung in der Position "GESICHERT" bis zum Zeitpunkt, an dem Sie zum Schießen bereit sind. Zielen Sie beim Entsichern in eine sichere Richtung.
13. Blockieren Sie niemals das Auswurfenster und achten Sie darauf, daß niemand in Auswurfichtung der Patronenhülse steht.
14. Drücken Sie niemals auf den Abzug und legen Sie niemals den Finger in den Abzugsbügel hinein, wenn Sie nicht auf ein Objekt zielen oder noch nicht zum Schießen bereit sind.

15. Bevor Sie den Abzug betätigen, kontrollieren Sie noch einmal Ihr Ziel und den Raum hinter ihm. Das Projektil kann die Zielscheibe durchschlagen oder am Ziel vorbei noch einige hundert Meter weit fliegen.
16. Schießen Sie nie auf harte bzw. flüssige Oberflächen wie Stein oder Wasser.
17. Schießen Sie nicht, wenn sich in der Nähe ein Tier befindet, das nicht an diesen Lärm gewöhnt ist oder nicht darauf dressiert wurde.
18. Albern Sie nicht herum, wenn Sie die Waffe in der Hand halten.
19. Beim Schussversagen: Im Fall eines Schussversagens halten Sie die Waffe weiter auf das Ziel oder in eine sichere Richtung gerichtet und warten Sie 30 Sekunden ab. Wenn es zu einer verzögerten Zündung gekommen ist, schießt die Patrone während 30 Sekunden ab. Falls der Schuss nicht eintritt, nehmen Sie die Patrone aus dem Lauf und kontrollieren Sie sie. Wenn der Abdruck des Zünders an der Patrone schwach oder kein ist, lassen Sie die Waffe von einem Fachmann vor dem weiteren Schiessen überprüfen.
20. Stellen Sie sicher, daß die Pistole nicht geladen ist, bevor Sie die Waffe reinigen, lagern oder transportieren.
21. Bewahren Sie Pistole und Munition in separaten und verschlossenen Behältern außerhalb des Sichtbereichs und des Zugriffs von Kindern bzw. unbefugten Personen auf.
22. Verändern Sie keine konstruktiven Details der Pistole. Dies könnte die Funktion und die Sicherheit der Waffe ernsthaft beeinträchtigen.
23. Beachten Sie, daß Korrosion, der Gebrauch falscher bzw. beschädigter Munition, das Fallenlassen der Pistole auf eine harte Oberfläche oder anderer unsachgemäßer Umgang Beschädigungen verursachen können, die auf den ersten Blick nicht sichtbar sind. Wenn dies geschehen ist, sollten Sie die Pistole von einem Fachmann überprüfen lassen.

FACHAUSDRÜCKE UND BESCHREIBUNG

Die in dieser Anleitung verwendeten Bezeichnungen der grundlegenden Pistolenteile sind in Abbildung 1 auf der Innenseite des Umschlages angeführt. Die Namen aller Bestandteile der Pistole finden Sie im Kapitel *Verzeichnis der Bestandteile*.

Die Pistole CZ P-09 ist eine Selbstlade-Handfeuerwaffe mit kurzem Laufrücklauf, die zum Zielschießen auf die Entfernung von 50 m bestimmt ist. Sie hat ein verschlossenes Verschlusssystem. Sie ist mit doppelt wirkendem SA/DA-Abzugsmechanismus, Schlagbolzenblockierung, Hahnsicherungsnase sowie mit Handsicherung ausgestattet, welche einfach demontiert und durch den Hahnentspannhebel ersetzt werden kann. Der Pistolenrahmen ist aus Kunststoff hergestellt. Zu typischen Merkmalen der Pistole gehören:

- ausgewogene Handlage und Balance
- gute Ergebnisse beim instinktmäßigen Schießen (ohne zu zielen)
- niedriger Abzugswiderstand
- hohe Schußgenauigkeit
- hohe Lebensdauer
- hohe Zuverlässigkeit - auch beim Gebrauch unterschiedlicher Geschosarten
- die Visiereinrichtungen sind auch zum Zielen bei eingeschränkter Sicht geeignet
- nach Abfeuern der letzten Patrone bleibt der Verschluss geöffnet
- die Pistole ist zum Alltagseinsatz als Dienstwaffe geeignet
- die Pistole ist standardmäßig mit doppelseitiger Sicherung oder doppelseitigem Entspannhebel ausgestattet
- die Sicherung kann durch den Hahnentspannhebel ersetzt werden
- der Rahmenvorderteil ist mit Spannuten für die Sonderzubehörfestigung ausgestattet

Erklärung der Fachausdrücke:

SA (Single Action)

Die einfach wirkende Funktion des Abzugsmechanismus. Der Hahn wird zuerst mit der Hand gespannt und nach Betätigung des Abzugs kommt es zum Schuß. Der Abzugsweg ist kurz, der Abzugswiderstand niedrig. Nach jedem Schuß bleibt der Hahn gespannt.

DA (Double Action)

Die doppelt wirkende Funktion des Abzugsmechanismus. Während der Betätigung des Abzugs wird der Hahn gespannt und gelöst. Der Abzugsweg ist länger, der Abzugswiderstand ist größer als bei SA.

Sicherheitselemente

Abzugsbügel

Verhindert das unbeabsichtigte Abzugsbetätigen, z.B. beim Fallenlassen der Pistole.

Dynamischer Zündstift

Er ist so konstruiert, daß er nicht bei einer Ruhelage des Hahns vorsteht. Dieses schließt die Möglichkeit aus, daß es beim Fallenlassen, direkt auf Hahn, einer geladenen Pistole zu einem Schuß kommt.

Blockierung des Zündstiftes

Sie blockiert die Bewegung des Zündstiftes, falls der Abzug nicht ganz durchgezogen wird und vermindert so das Risiko eines unbeabsichtigten Schusses bei falschem Umgang mit der Waffe, vorzugsweise beim Fallenlassen einer geladenen Waffe.

Sicherheitsrast

Eine Raste am Hahn, die einen unbeabsichtigten Schuß verhindert, falls es z.B. während der Hahnspannung mit der Hand zu einem Ausrutschen kommt. Wenn sich der Hahn in der Sicherheitsrast befindet, ruht er nicht auf dem Verschluss, sondern ist etwas weiter nach hinten geneigt.

GEBRAUCHSANWEISUNGEN

Munition

Benutzen Sie ausschließlich fabrikgefertigte, Original-Munition des passenden Kalibers, die den Vorschriften der CIP (Internationale Prüforga-nisation für Feuerwaffen und Munition) oder SAAMI (Amerikanische Norm für Waffen und Munition) entspricht. Der Gebrauch von anderen Patronen kann Waffenbeschädigungen oder Verletzungen des Schützen verursachen. Der Hersteller empfiehlt mit dieser Waffe nicht Schießen ohne Patronen in erhöhtem Maße. Für das sog. „Trockentraining“ ist die Benutzung von zu diesem Zweck angepassten Patronenentladern geeignet.

Herausnehmen des Magazins

Die Pistole in rechte (linke) Hand nehmen, mit Daumen (Mittelfinger) das Magazinsperrstück (Abb. 2) drücken. Danach löst sich das Magazin und fällt aus dem Rahmen heraus. Die Pistole ist mit universalem Magazinsperrstück versehen, das der Waffenmeister für die Betätigung mit der linken oder rechten Hand drehen kann.

Füllen des Magazins

Greifen Sie das Magazin, mit der Magazinmündung nach oben gerichtet, in die Hand. Legen Sie die Patrone auf den Vorderteil des Zubringers und drücken Sie sie hinab und nach unten, bis zu Magazinshinterwand. Die nächste Patrone legen Sie auf die vorherige und stecken Sie sie auf die gleiche Weise ein. Falls sich schon eine größere Patronenmenge im Magazin befindet, ist zu empfehlen, mit dem Daumen der magazinhaltenden Hand, die Patronensäule etwas herabzudrücken.

Die Patronenanzahl im Magazin können Sie durch die Kontrolllöcher in den Magazinwänden feststellen. Versuchen Sie die Magazinkapazität nicht zu überschreiten, denn dies könnte ein falsches Zuführen der ersten Patrone in die Kammer verursachen.

Laden der Pistole

ZIELEN SIE BEIM LADEN DER PISTOLE IMMER IN EINE SICHERE RICHTUNG!

Stecken Sie das volle Magazin in die Pistole ein und überzeugen Sie sich davon, daß es eingerastet ist.

Greifen Sie die Pistole mit der einen Hand am Pistolengriff und fassen Sie mit Daumen und Zeigefinger der anderen Hand an das geriffelte Verschluss-teil. Ziehen Sie den Verschluss bis zum Anschlag nach hinten und lassen Sie ihn nach vorne schnappen (Abb. 3). Dadurch wird der Hahn gespannt und eine Patrone in die Kammer eingeschoben. Jetzt ist die Pistole schußbereit. Falls Sie nicht sofort schießen wollen, sichern Sie die Pistole. Mögliche Sicherungsmethoden werden im Abschnitt *Sicherung der Pistole* bzw. im Abschnitt *Entspannen des Hahns* beschrieben.

Nachladen während des Schießens

Nach dem Verschließen der letzten Patrone bleibt der Verschluss hinten. Nehmen Sie das leere Magazin heraus und ersetzen Sie es durch ein volles. Drücken Sie mit der Hand, mit der Sie schießen, den Verschlussfang nach unten (Abb. 4) oder ziehen Sie den Verschluss mit der anderen Hand nach hinten und lassen Sie ihn nach vorne schnappen. Die Pistole ist wieder geladen und schußbereit.

Entladen der Pistole

ZIELEN SIE BEIM ENTLADEN DER PISTOLE IMMER IN EINE SICHERE RICHTUNG!

- nehmen Sie das Magazin heraus
- ziehen Sie den Verschluss nach hinten und überzeugen Sie sich davon, daß die Patrone aus der Kammer gezogen und ausgeworfen wurde
- lassen Sie den Verschluss nach vorne gleiten
- betätigen Sie den Abzug (Sicherheitsschuß)

Sicherung der Pistole

Der Teil *Sicherung der Pistole* gilt nicht für die Ausführung mit Entspannen des Hahns!

Schieben Sie die Sicherung nach oben in die gesicherte Lage (Abb. 5), bis der rote Warnpunkt abgedeckt wird. Dadurch werden Abzugsmechanismus und Verschluss blockiert, so daß es nicht möglich ist, den Abzug zu drücken und den Verschluss zu bewegen. Die Sicherung kann gesichert werden, auch wenn der Hahn am Sicherungsdaumen ist. In diesem Fall wird die Sicherung der Pistole nachdrücklich nicht empfohlen, weil der Abzugsmechanismus beim gewaltsamen Hahnspannen oder Drücken des Abzugs beschädigt werden kann und ein sich ungewollter Schuss auslösen kann, auch wenn die Sicherung in Stellung "gesichert" ist. Sichern Sie die Pistole nur dann, wenn der Hahn in der Hinterlage, d.h. gespannt ist. Die Sicherung soll besonders bei einer kurzen Unterbrechung des Schießens benutzt werden.

Neben der eben beschriebenen Methode ist es möglich, die Waffe zu sichern und dennoch unmittelbar feuerbereit zu halten:

Laden Sie die Pistole und fassen Sie die Pistole am Griff. ZIELEN SIE IN EINE SICHERE RICHTUNG, drücken Sie mit Daumen auf geriffelte Fläche (Daumenstück) des Hahnes, drücken Sie den Abzug ab und lassen Sie den Hahn langsam nach vorne gleiten, bis er auf dem Verschuß oder auf dem Sicherheitsdaumen ruht (Abb. 6). Lassen Sie den Abzug los. Dieser Vorgang muss mit äußerster Vorsicht durchgeführt werden, damit es zu keinem unbeabsichtigten Schuß kommt! Wir empfehlen diesen Vorgang zuvor mit entladener Waffe zu üben!

In diesem Zustand ist die Pistole bei normaler Behandlung sicher und gleichzeitig zum sofortigen Gebrauch bereit. Beachten Sie, daß die beste Sicherung ist, die Pistole zu entladen und sie an einen sicheren Platz zu bewahren!

Entspannen des Hahns

Der Teil *Entspannen des Hahns* gilt nicht für die Ausführung mit Sicherung!

ZIELEN SIE MIT DER PISTOLE IN EINE SICHERE RICHTUNG und drücken Sie den Entspannhebel (Abb. 7).

Durch Drücken des Entspannhebels wird der Hahn aus der gespannten Lage in die Sicherheitsrast geschoben, ohne den Abzug betätigen zu müssen. Befindet sich dabei in der Kammer eine Patrone, so ist die Pistole nach dem Entspannen des Hahns für die normale Handhabung sicher und mit Hilfe der DA-Funktion schußbereit.

Einstellen der Visiereinrichtungen

Die Pistole wurde beim Hersteller auf eine Distanz von 25 m so eingeschossen, daß der mittlere Treffpunkt in etwa mit dem Zielpunkt übereinstimmt. Eine Seitenkorrektur ist durch Verschieben des Visiers in der Schwalbenschwanznut und nachfolgende Sicherung mit einer Schraube möglich. Die Höhenkorrektur wird durch Korn austausch gegen ein höheres oder niedrigeres und nachfolgende Sicherung mit Schraube durchgeführt.

Austausch des Handgriffrückens

Zu jeder Pistole wird ein Satz von austauschbaren Rücken geliefert, die die Anpassung der Form des hinteren Teils des Handgriffes entsprechend dem Bedarf des konkreten Anwenders ermöglichen. Der Austausch des Rückentyps für einen anderen wird nach Herausnahme des Stiftes des Schlagfederstopfens durchgeführt. Seien Sie bei dieser Demontage sehr vorsichtig, damit es nicht zur Verletzung kommt, weil der Stift den Stopfen samt der gedrückten Schlagfeder sichert. Vertrauen Sie diesen Austausch einem Waffenmeister an.

Montage des Kollimatorvisiers

Bei der Montage der Platte unter dem Kollimatorvisier empfehlen wir die Verwendung einer Schraubensicherung (z. B. Loctite 243) und das Anziehen der Schrauben mit einem Anzugsdrehmoment von 1,3 Nm. Nach dem Auftragen ist es notwendig, den verwendeten Kleber gemäß den Anweisungen des Herstellers trocknen zu lassen. Bei der Montage des Kollimatorvisiers sind die Anweisungen des Herstellers zu befolgen.

PFLEGEANWEISUNGEN

Zerlegen zur Reinigung

ZIELEN SIE MIT DER PISTOLE IN EINE SICHERE RICHTUNG!

1. Entfernen Sie das Magazin. Die Pistole kann mit eingelegtem Magazin nicht zerlegt werden!
2. Entsichern Sie die Pistole, damit Sie den Verschluss bewegen können.
3. **ÜBERZEUGEN SIE SICH DAVON, DASS SICH IN DER PATRONENKAMMER KEINE PATRONE BEFINDET!**
4. Schieben Sie den Hahn leicht nach hinten und lassen Sie ihn los, so daß er in der Sicherheitsrast eingerastet bleibt. In diesem Zustand ist die weitere Handhabung am einfachsten.
5. Stecken Sie den Daumen der linken Hand durch den Abzugsbügel. Ergreifen Sie mit den restlichen Fingern von oben den Vorderteil des Verschlusses.
6. Den Verschluss ein Stück nach hinten so schieben, bis sich der hintere Teil des Verschlusses am ausgeschwenkten Hahn abstützt und die Rillen am Rahmen und am Verschluss ausgeglichen sind.
7. Von der rechten Seite auf die Verschlussperre, z.B. mit dem Magazinboden (Abb. 8), drücken (klopfen). Die Verschlussperre von der linken Seite entfernen.
8. Ziehen Sie nun den Verschluss mit dem Lauf nach vorn heraus.
9. Nehmen Sie die Vorholfeder mit der Führung und schließlich den Lauf heraus.

Bis hierher genügt die durchgeführte Zerlegung für eine laufende Waffenpflege. Nach dem Verschießen einer großen Patronenmenge demontieren Sie auch Magazin und übergeben Sie die Pistole dem Waffenmeister zur Schlagbolzenreinigung.

Ausbau des Magazins

Durch das Loch im Magazinboden drücken Sie den Bodenhalter und dann schieben Sie den Magazinboden etwa 5 mm nach vorn heraus. Bedecken Sie den Magazinboden mit dem Daumen, um zu verhindern, daß die Magazinfeder emporschnellt, und schieben Sie den Magazinboden mit der anderen Hand aus den Führungsschienen heraus. Seien Sie bei dieser Demontage sehr vorsichtig, denn eine herausschnellende Feder kann Verletzungen verursachen.

Wechsel der Bedienelemente

Diese Pistole wurde konstruktionsmäßig so entworfen, um den einfachen Austausch der Sicherung gegen den Hahnnentspannhebel und umgekehrt zu ermöglichen. Dieser kann auch ohne Verwendung von Sonderwerkzeugen

durchgeführt werden. Die linke Sicherung oder der linke Entspannhebel können erst nach Drücken des Patronenauswerfers nach unten demontiert werden. Vor dem Einbau der rechten Sicherung oder des rechten Entspannhebels ist die Abzugsstange nach unten zu senken.

Bei der Pistolenausführung mit Sicherung werden nur die Sicherungen eingebaut. Bei der Pistolenausführung mit Entspannhebel muss außer den Hebeln auch die Entspannhebelfeder so eingebaut werden, dass sie mit dem kürzeren Ende an der Nase des Entspannhebelkörpers angelehnt und mit dem anderen Ende in den Hohlraum des Stiftes eingelegt ist (Abb. 9).

Für den Wechsel der Bedienelemente empfehlen wir eine Schulung unter der Aufsicht von qualifiziertem Waffenmeister zu absolvieren oder auf den Internetseiten von Česká zbrojovka sich die Unterweisungsvorgänge anzuschauen.

HINWEIS:

Demontieren Sie keine weiteren Pistolenteile. Wenn Sie glauben, daß die Pistole eine Einstellung oder Reparatur braucht, wenden Sie sich an eine Fachwerkstatt!

Reinigung der Pistole

Reinigen Sie die Pistole:

- nach jedem Gebrauch
- nach jedem Feuchtwerden
- möglichst bald nach dem Schießen
- unter milden klimatischen Bedingungen wenigstens einmal im Jahr
- unter rauen klimatischen Bedingungen wenigstens einmal im Monat

Reinigung von Laufbohrung und Patronenkammer

Wenn aus der Pistole nicht geschossen wurde oder nur wenige Patronen verschossen wurden, genügt für die Reinigung von Laufbohrung und Patronenkammer ein trockenes, am Wischer befestigtes Läppchen. Führen Sie es in den Verschluss ein und drücken Sie Reinigungsstab und Läppchen nach unten durch das Rohr. Wechseln Sie anschließend das Läppchen. Wiederholen Sie die Prozedur so lange, bis das letzte Läppchen sauber herauskommt.

Wenn die Bohrung stark verschmutzt ist, tragen Sie mit dem Bürstchen in sie und in die Kammer Reinigungslösung auf. Lassen Sie die Lösung etwa 10 Minuten einwirken (die Einwirkungszeit kann sich bei verschiedenen Reinigungsmitteln unterscheiden) und putzen Sie dann die Laufbohrung gründlich mit einem Bürstchen aus. Wischen Sie anschließend Bohrung und Kammer mit einem sauberen Lappen trocken und kontrollieren Sie, ob alle Verbrennungsrückstände beseitigt worden sind. Falls notwendig, wiederholen Sie den Vorgang.

Reinigungsstab und Bürstchen müssen von der Kammer aus in den Lauf eingeführt werden, damit die Laufmündung nicht abgenutzt oder beschädigt wird.

Ziehen Sie das Bürstchen durch den ganzen Lauf durch, bevor Sie die Bewegungsrichtung ändern. Falls Sie die Bewegungsrichtung des Bürstchens ändern, solange es sich noch im Lauf befindet, kann sich das Bürstchen möglicherweise im Lauf verspreizen.

Reinigung der anderen Pistolenteile

Die anderen Pistolenteile (einschließlich der Außenflächen des Laues) reinigen Sie mit einem trockenen Lappen, einem Messingbürstchen, oder einer alten Zahnbürste. Bei der Reinigung können Sie auch Konservierungsöl oder Petroleum benutzen. Benutzen Sie aber niemals die für die Laufreinigung bestimmte Lösung! Sie könnte in den Fugen zurückbleiben und auf längere Sicht Korrosion verursachen.

Überzeugen Sie sich davon, daß keine Reste vom Läppchen oder Borsten des Bürstchens in einem Pistolenteil zurückgeblieben sind.

Konservierung

Wenn Laufbohrung, Patronenlager und alle zugänglichen Bestandteile sauber und trocken sind, wischen Sie diese Teile mit einem in Konservierungsöl getränkten Lappen aus oder benutzen Sie ein Ölspray. Wischen Sie das Restöl ab.

Wischen Sie die Bohrung vor dem Schießen immer trocken aus. Wenn Sie die Pistole bei sehr niedrigen Temperaturen benutzen, beseitigen Sie das Öl aus allen zugänglichen Teilen oder verwenden Sie speziell für diese Bedingungen bestimmte Schmiermittel.

Benutzen Sie das Konservierungsfett nur für die langfristige Lagerung unter schlechten klimatischen Bedingungen. Vor Gebrauch der Pistole muß es gründlich beseitigt werden.

Abfallentsorgung

Produkt- und Verpackungsmaterialien haben bei richtiger Benutzung keine negativen Auswirkungen auf die Gesundheit des Menschen oder auf die Umwelt. Im Bedarfsfall der Entsorgung des Produkts oder seiner Verpackung gilt, dass Metallbestandteile (Stahl und Buntmetalle), Kunststoffe, Holz, Papier und Karton getrennt in den dafür bestimmten Sammelbehälter zu sammeln sind.

VERZEICHNIS DER BESTANDTEILE

- | | |
|--|--|
| 1 a) Rahmen | 26 Schlagfederstange |
| b) Austauschrücken S/M/L | 27 Stopfen der Schlagfeder |
| 2 Verschluss | 28 Bolzen der Fangklinke |
| 3 Lauf | 29 Hahnbolzen |
| 4 Verschlussfang | 30 Abzugsbolzen |
| 5 Magazin | 31 Bolzen des Magazinsperrstücks |
| 6 Vorderblock | 32 Stopfenstift der Schlagfeder |
| 7 Hinterblock | 33 Auszieherbolzen |
| 8 Abzug | 34 Stift des Magazinsperrstücks |
| 9 Abzugsstange | 35 Vorderblockstift |
| 10 Fangklinke | 36 Bolzen |
| 11 Hahn | 37 Schlagbolzenstift |
| 12 Unterbrecher | 38 Rückstellfeder (Baugruppe) |
| 13 Blockierungshebel | 39 Feststellschraube (2x) |
| 14 Abzugsstangenlöser | 40 Auszieherfeder |
| 15 Patronenauswerfer | 41 Schlagbolzenfeder |
| 16 Schlagbolzen | 42 Feder des
Blockierungsanschlages |
| 17 Auszieher | 43 Feder (2x) |
| 18 Blockierungsanschlag des
Schlagbolzens | 44 Federstift des Verschlussfanges |
| 19 Magazinsperrstück | 45 Schlagfeder |
| 20 Sicherung (linke) * | 46 Abzugsfeder |
| 21 Sicherung (rechts) * | 47 Feder des Verschlussfanges |
| 22 Entspannhebel (links) * | 48 Feder des Entspannhebels * |
| 23 Entspannhebel (rechts) * | 49 Feder der Abzugsstange |
| 24 Visier * | 50 Feder der Fangklinke |
| 25 Korn | 51 Hinterblockstift |

* Die so gekennzeichneten Bestandteile sind bei den einzelnen Ausführungen verschieden beziehungsweise fehlen sie bei einigen Ausführungen ganz.

CZ P-09 ADAPTER KALIBER .22 LR

Der KK-Adapter für die Pistole CZ P-09 kann in folgenden Ausführungen geliefert werden:

1. Selbstständiger Adapter, der am Rahmen einer CZ P-09 Pistole angebaut werden kann
2. Komplett pistole CZ P-09 im Kaliber .22 LR

Zu den Hauptvorteilen des Adapters zählen:

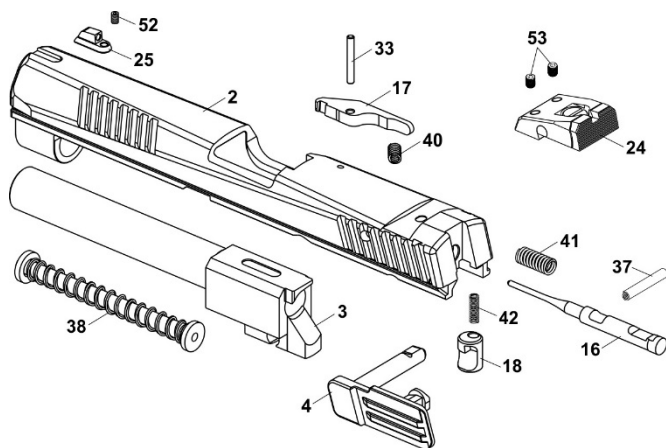
- Beibehalten der typischen Eigenschaften der Pistole CZ P-09
- Preisgünstiges Schießen, vorteilhaft speziell für Übungsschießen
- Einfache Montage des Adapters am Rahmen, ohne Einpassen

Anbau des KK-Adapters

Zum Einsatz des Adapters im Kaliber .22 LR an der bestehenden Ausführung der Pistole sind keine Nacharbeiten oder Einpassen notwendig. Gemäß der im Kapitel *Zerlegen und Reinigen* beschriebenen Hinweise wird die komplette Baugruppe des Verschlusses abgezogen und auf den Rahmen der Pistole wird der Adapter im Kaliber .22 LR angebaut. Zusammen mit dem Adapter sind immer der mitgelieferte Verschlussfang mit der Kennzeichnung "22 LR" und das Magazin Kaliber .22 LR zu verwenden.

BEDIENUNGSANLEITUNG

Darstellung und Komponentenliste des KK-Adapters



- | | |
|--|--|
| 2 Verschluss | 33 Auszieherbolzen |
| 3 Lauf | 37 Schlagbolzenstift |
| 4 Verschlussfang | 38 Schließfeder (Baugruppe) |
| 16 Schlagbolzen | 40 Auszieherfeder |
| 17 Auszieher | 41 Schlagbolzenfeder |
| 18 Blockierungsanschlag des
Schlagbolzens | 42 Feder des
Blockierungsanschlages |
| 24 Visier | 52 Kornschraube |
| 25 Korn | 53 Fixierschraube |

BEHEBUNG VON FUNKTIONSTÖRUNGEN

Bei einer richtigen Handhabung und Instandhaltung ist die Wahrscheinlichkeit einer Störung minimal. Sollte trotzdem diese Situation eintreten, so richten Sie sich nach folgenden Anweisungen.

ACHTUNG - falls es beim Schießen zu einer Funktionsstörung kommt, so erhöht sich die Wahrscheinlichkeit eines unbeabsichtigten Schusses außerordentlich. Halten Sie daher beim Beheben der Störung konsequent die weiter oben angeführten Sicherheitsbestimmungen ein. Zielen Sie ständig in eine sichere Richtung, wenden Sie die Pistole nie gegen sich oder gegen andere Personen, kommen Sie mit den Händen nicht vor die Laufmündung!

Wenn Sie Ihre Pistole für den persönlichen Schutz oder für Dienstzwecke verwenden, so beschaffen Sie sich "Schulungspatronen" und üben Sie das schnelle Beheben der unten angeführten Störungen.

Störung	Wahrscheinliche Ursache	Behebung
Die Patrone wird nicht in die Kammer zugeführt oder der Verschluss schließt nicht	Das Magazin ist nicht vollständig eingeschoben oder beschädigt. Die Waffe oder die Patronen sind verunreinigt oder zu stark gefettet.	Schieben Sie das Magazin ordnungsgemäß ein oder verwenden Sie ein anderes. Reinigen Sie die Waffe und die Patronen, bis sie trocken sind, fetten Sie sie gegebenenfalls leicht ein.
Zündversager	Die verwendete Patrone ist defekt. Verunreinigte Öffnung für den Zünder oder ungeeignetes Schmiermittel bei niedriger Umgebungstemperatur.	Betätigen Sie nochmals den Abzug. Falls es nicht zum Schuß kommt, gehen Sie nach Punkt 19 der Sicherheitsbestimmungen vor. Bauen Sie den Zünder ab und reinigen Sie ihn, verwenden Sie gegebenenfalls ein Schmiermittel für Niedrigtemperaturen.
"Schwacher Schuß", bei dem die Patronenhülse nicht ausgeworfen wird	Das Zündhütchen wurde aktiviert, aber in der Patronenhülse war kein Pulver.	Entladen Sie die Waffe und überzeugen Sie sich, ob das Geschoß nicht im Lauf steckengeblieben ist. Ein eventueller weiterer Schuß könnte den Lauf ernsthaft beschädigen!

BEDIENUNGSANLEITUNG

Kein Auswerfen	Verunreinigte Patronenkammer, Auszieher oder Munition, gegebenenfalls ungeeignetes Schmiermittel bei niedriger Umgebungstemperatur.	Reinigen Sie die Pistole, bis sie trocken ist, fetten Sie sie gegebenenfalls leicht mit geeignetem Schmiermittel ein. Verwenden Sie neue saubere Munition.
----------------	---	--

Wenn die Störung auf keine oben angegebene Weise behoben werden kann, so vertrauen Sie die Pistole einer Fachwerkstatt zur Durchsicht und Reparatur an.

VERZEICHNIS DER ABBILDUNGEN

1. Bezeichnungen der Hauptteile
2. Herausnehmen des Magazins
3. Laden der Pistole
4. Entspannen des Verschlusses aus der "Schießbereitschaft" durch Eindrücken des Verschlussfangs
5. Verschieben der Sicherung in die gesicherte Position
6. Entspannen des Hahns bei der Ausführung mit Sicherung
7. Entspannen des Hahns bei der Ausführung ohne Sicherung
8. Herausdrücken des Verschlussfangs mit dem Magazinboden
9. Detaildarstellung der eingebauten Hahnentspannhebel

Der Hersteller behält sich das Recht vor, Änderungen vorzunehmen, die er für unerlässlich zur Verbesserung seiner Modelle hält, oder um fertigungstechnischen oder geschäftlichen Anforderungen nachzukommen.

Avant de commencer à manipuler le pistolet, veuillez prendre connaissance détaillée de ce manuel, avant tout des consignes de sécurité.

Toute manipulation imprudente ou incorrecte peut provoquer un tir involontaire, ayant pour conséquence possible des blessures, la mort ou des dégâts matériels. Les mêmes conséquences peuvent s'ensuivre lors de modifications non autorisées, de corrosion ou de munitions non spécifiques ou endommagées. Dans ces cas, le fabricant ne prendra aucune responsabilité sur les dommages survenus. Cette arme a été, avant son expédition dans le réseau de vente, testée, examinée avec précautions et emballée. CZ ne peut toutefois contrôler les manipulations survenues après son départ de l'usine. C'est pourquoi nous recommandons, lors de l'achat du pistolet, de contrôler s'il n'est pas endommagé ou chargé.

La présente brochure doit toujours accompagner l'arme, même si vous la prêtez à une tierce personne ou si vous la revendez.

SOMMAIRE

CONSIGNES DE SECURITE	66
TERMINOLOGIE ET DESCRIPTION	68
Eléments de sécurité du pistolet	69
INSTRUCTIONS D'UTILISATION	70
Munitions	70
Extraction du chargeur	70
Remplissage du chargeur	70
Chargement du pistolet	70
Rechargement au cours de tir	71
Déchargement du pistolet	71
Mise en sécurité du pistolet	71
Désarmement du chien	72
Réglage d'organes de visée	72
Remplacement du dos de la poignée	72
Montage du viseur point rouge	72
INSTRUCTIONS D'ENTRETIEN	73
Démontage pour le nettoyage	73
Démontage du chargeur	73
Echange des organes de maniement	73
Nettoyage du pistolet	74
Nettoyage du canon et de la chambre	74
Nettoyage des autres parties du pistolet	75
Conservation	75
Traitement des déchets	75
LISTE DES PIECES	76
ADAPTATEUR CZ P-09 DE CALIBRE .22 LR	77
DÉRANGEMENTS	79
LISTE DES FIGURES	80

CONSIGNES DE SECURITE

Respectez en tout temps les consignes de sécurité suivantes, pour votre propre sécurité et pour la sécurité des autres personnes.

1. Toujours manipuler le pistolet comme s'il était chargé.
2. Ne jamais viser quoi que ce soit qui ne soit pas votre cible.
3. Ne jamais croire personne déclarant que l'arme n'est pas chargée.
4. Avant de ranger l'arme ou de la remettre à une autre personne, toujours s'assurer que l'arme n'est pas chargée.
5. Ranger le pistolet non chargé avec chien vers l'avant.
6. Ne jamais utiliser ce pistolet pour des agissements autres que le tir.
7. Ne jamais laisser le pistolet chargé et armé sans surveillance.
8. Avant de charger le pistolet, s'assurer que l'intérieur du canon, la chambre et la culasse sont propres et libres. Nettoyer le pistolet le plus tôt possible après le tir.
9. Ne jamais tirer avec l'arme si vous n'êtes pas certains des munitions que vous utilisez. Ne jamais utiliser de munitions qui ne seraient pas identifiées, qui auraient été manuellement chargées et dont vous ne connaissez pas l'origine. Ne pas utiliser de munitions lorsque les cartouches sont fissurées, déformées ou écrasées, ni de munitions montrant des traces de détérioration. La recharge est une opération spécialisée, devant être réalisée par un spécialiste et toute cartouche ayant été incorrectement (mal) rechargée peut devenir extrêmement dangereuse. Leur utilisation peut être synonyme de détérioration/destruction de votre arme et de blessures graves, voire même mortelles. Utiliser uniquement des munitions propres, sèches et d'origine, fabriquées en usine et de calibre correspondant à votre pistolet.
10. Avant et pendant le tir, ne jamais consommer de boissons alcoolisées ni de drogues.
11. Si les conditions le permettent, utiliser lors du tir des moyens de protection des oreilles et des lunettes spéciales de protection.
12. Lorsque le pistolet est chargé, laisser la sûreté engagée jusqu'à ce que vous soyez prêt au tir. Lors de l'enlèvement de la sûreté, tenir l'arme orientée vers un lieu sûr.
13. Ne pas bloquer la fenêtre d'éjection et contrôler que personne ne se trouve dans les environs immédiats de l'arme dans la direction de l'éjection.
14. Ne pas mettre le doigt sur la détente ou dans le pontet si vous ne visez pas la cible ou si vous n'êtes pas prêt au tir.

15. Avant d'appuyer sur la détente, contrôler encore une fois la cible et l'espace derrière la cible. La balle peut traverser la cible ou la manquer et porter à plusieurs centaines de mètres.
16. Ne jamais tirer à la surface de l'eau ni sur des surfaces dures, par exemple de la pierre.
17. Ne pas utiliser le pistolet à proximité d'animaux qui ne sont pas habitués à ce bruit.
18. Ne jamais se permettre des "blagues" avec le pistolet en mains.
19. Raté au tir: Lors d'un raté au tir, attendre 30 secondes dirigeant l'arme en direction de la cible ou vers un lieu sûr. Si l'amorçage est retardé, la cartouche doit tirer dans les trente secondes. Si le tir n'aura pas lieu, enlever la cartouche du canon et la contrôler. Si la trace du percuteur est faible ou absente, remettre l'arme pour contrôle chez un armurier qualifié avant le tir suivant.
20. Avant de nettoyer, de ranger ou de transporter le pistolet, toujours s'assurer qu'il n'est ni chargé, ni armé.
21. Ranger le pistolet et les munitions dans un lieu séparé, fermé à clef et hors de portée des enfants et des personnes non autorisées.
22. Ne jamais modifier aucune pièce du pistolet. Ceci peut influencer son bon fonctionnement et sa sécurité.
23. Toujours avoir en mémoire que la corrosion, l'utilisation de munitions endommagées, la chute du pistolet sur une surface dure ou toute autre manipulation rude peut être à la source de dommages qui ne sont pas visibles à première vue. Si une telle situation apparaît, laisser contrôler le pistolet par un spécialiste.

TERMINOLOGIE ET DESCRIPTION

Les appellations des éléments principaux du pistolet sont reprises à la figure 1. Les différentes pièces sont reprises dans le chapitre "*Liste des pièces*".

Le pistolet CZ P-09 est une arme à chargement automatique avec le recul court du canon, il est destiné pour le tir jusqu'à 50 mètres. Il possède le mécanisme de la culasse calée. Le pistolet est muni de la mécanisme de détente SA/DA, blocage du percuteur, encoche de sécurité sur le chien et la sûreté manuelle, qui peut être facilement démontée et substituée par l'organe de désarmement du chien. La carcasse du pistolet est fabriquée en matière plastique. Parmi les caractéristiques principales du pistolet citons:

- bonne tenue de chaque main
- bons résultats au tir instinctif (sans pointage)
- faible résistance de la détente
- haute précision de tir
- longue durée de vie
- haute fiabilité même avec des balles des types différents
- dispositifs de visée adaptés pour viser en conditions de la visibilité détériorée
- après le tir de la dernière cartouche, la culasse reste ouvert
- convenable à être porté comme une arme quotidienne de service
- pistolet de la version standard est muni de la sûreté ambidextre ou l'organe ambidextre de désarmement
- interchangeabilité mutuelle de la sûreté par l'organe de désarmement du chien
- carcasse dans la partie avant est modifiée par les rainures de fixation à appliquer des accessoires spéciales

Explications:

SA (Single Action)

Action simple du mécanisme de détente. Le chien doit être armé avec le pouce; le coup part lorsqu'on appuie sur la détente. La course de la détente est courte, avec une faible résistance. Le chien reste réarmé après chaque tir.

DA (Double Action)

Fonction double du mécanisme de détente. Lorsqu'on appuie sur la détente, le chien est poussé vers l'arrière et après relâché à frapper le percuteur. La course de la détente est plus longue et la résistance est plus forte que pour le type SA.

Éléments de sécurité du pistolet

Pontet

Il empêche un appui inopiné de la détente, par exemple lors de la chute du pistolet.

Percuteur dynamique

Le percuteur est construit de façon qu'il ne puisse pas dépasser la culasse avec le chien en position de repos. Ceci élimine la possibilité du départ de coup en cas de chute du pistolet chargé sur le chien.

Blocage du percuteur

Il empêche le mouvement du percuteur si la détente n'est pas pressée. Ce système minimise le risque d'un tir involontaire en cas de manipulation incorrecte avec l'arme, par exemple en cas de chute du pistolet chargé.

Encoche de sûreté

Il s'agit d'une rainure sur le chien qui empêche tout tir involontaire si le chien glisse au cours d'armement. Lorsque le chien se trouve dans cette encoche, il ne touche pas la culasse, mais il est basculé un peu en arrière.

INSTRUCTIONS D'UTILISATION

Munitions

Utiliser exclusivement des munitions de marque, du calibre de l'arme et répondant aux directives CIP (Commission internationale permanente pour les épreuves d'armes et munitions) ou SAAMI (Standard américaine pour les armes et munitions). L'utilisation d'autres munitions peut être source de dommages à l'arme ou de blessures pour le tireur. Le fabricant recommande de ne pas utiliser trop souvent l'arme pour réaliser un tir à vide (sans cartouche). Pour un « entraînement à sec », il vous recommande d'utiliser des cartouches factices qui ont été spécialement conçues pour ce type d'utilisation.

Extraction du chargeur

Saisir le pistolet avec la main droite (gauche) et par le pouce (médius) appuyer sur l'arrêt de chargeur (figure 2). Le chargeur se relâche et tombe de la carcasse. Le pistolet est équipé avec un arrêt universel du chargeur lequel peut être changé par l'armurier pour manœuvrer avec la main droite ou gauche.

Remplissage du chargeur

Tenir le chargeur par la main, ouverture vers le haut. Placer la cartouche au devant de l'élevateur et l'appuyer vers le bas puis vers l'arrière jusqu'à ce qu'elle soit au contact de la face arrière du chargeur. La cartouche suivante posera sur la précédente et l'introduira de la même manière. Lorsque le chargeur est presque plein, il est recommandé d'appuyer sur la colonne des cartouches déjà placées avec le pouce de la main qui tient le chargeur.

Le nombre de cartouches dans le chargeur peut être contrôlé au moyen des orifices dans les parois latérales du chargeur. Ne pas dépasser le nombre prévu de cartouches - ceci pourrait entraîner des problèmes lors du passage de la première cartouche dans la chambre.

Chargement du pistolet

PENDANT LE CHARGEMENT TENIR LE PISTOLET DIRIGÉ VERS UN LIEU SÛR!

Insérer le chargeur plein dans le pistolet et s'assurer qu'il s'est bien verrouillé par l'arrêt de chargeur.

Saisir le pistolet d'une main et du pouce et de l'index de l'autre main, tenir fermement la partie rainurée de la culasse. Tirer la culasse vers l'arrière jusqu'à fin de course et la lâcher (figure 3). Le chien est armé et une cartouche monte dans la chambre. Le pistolet est ainsi prêt au tir. Si vous n'envisagez pas de tirer immédiatement, assurer le pistolet selon l'un des moyens décrits ci-après dans le chapitre "Éléments de sécurité" éventuellement dans la section "Désarmement du chien".

Rechargement au cours de tir

Lorsque la dernière cartouche a été tirée, la culasse reste en position arrière. Enlever le chargeur vide et insérer un chargeur plein. Avec la main qui tient le pistolet, appuyer sur l'arrêteur de culasse vers le bas (figure 4) ou par l'autre main tirer la culasse vers l'arrière et la lâcher. Le pistolet est ainsi chargé de nouveau et il est prêt au tir.

Déchargement du pistolet

TENIR LE PISTOLET DIRIGE VERS UN LIEU SUR!

- enlever le chargeur
- tirer la culasse vers l'arrière et s'assurer que la cartouche a été extraite de la chambre et éjectée
- lâcher la culasse
- appuyer sur la détente (coup de sécurité)

Mise en sécurité du pistolet

Le chapitre "*Éléments de sécurité*" n'est pas applicable au type avec désarmement du chien!

Déplacer la sûreté vers le haut dans la position bloquée (figure 5) jusqu'à ce que la marque rouge soit cachée. Ceci bloque le mécanisme de détente et la culasse, il n'est donc pas possible de manipuler ni la détente, ni la culasse. La sûreté peut être enclenchée même lorsque le chien se trouve sur la came de sécurité. Dans un tel cas, il est cependant impérativement déconseillé de placer le pistolet en sécurité car le fait de remonter violemment le chien ou appuyer la détente pourrait endommager le mécanisme de détente et provoquer un coup indésirable malgré le fait que la sûreté se trouve dans la position « Bloqué ». Ne mettre le pistolet en sécurité que lorsque le chien est en position arrière, soit en position armée. L'emploi de la sûreté est conseillé principalement en cas d'interruption du tir durant une période relativement courte.

Outre ce procédé, il est possible d'assurer le pistolet avec une cartouche dans la chambre pour qu'il soit préparé pour un tir immédiat:

Tenir le pistolet chargé par la poignée, LE DIRIGER VERS UN LIEU SUR, avec le pouce presser la surface moletée du chien, appuyer sur la détente et ramener le chien lentement vers l'avant (figure 6), jusqu'à ce qu'il s'appuie sur la culasse ou l'encoche de sûreté du chien. Lâcher la détente. Cette opération doit être effectuée avec de grandes précautions pour ne pas provoquer un tir intempestif! Il est recommandé d'entraîner tout le procédé avec un pistolet sans cartouches!

Dans cet état, le pistolet est sûr pour la manipulation courante et pourtant prêt à être immédiatement utilisé. Rappelez-vous pourtant que la meilleure sécurité du pistolet est de le décharger et de le placer dans un endroit sûr!

Désarmement du chien

Le chapitre "*Désarmement du chien*" n'est pas applicable aux modèles avec sûreté!

DIRIGER LE PISTOLET VERS UN LIEU SUR et appuyer sur le poussoir de désarmement (figure 7).

Lorsqu'on appuie sur cet organe, le chien se déplace de la position "armé" vers l'encoche de sécurité sans qu'il soit nécessaire d'appuyer sur la détente. S'il y a une cartouche dans la chambre, le pistolet est après le désarmement du chien sûr pour la manipulation courante et prêt au tir au moyen de la fonction DA.

Réglage d'organes de visée

Le pistolet a été réglé en usine pour une distance de 25 m et ce, pour que le point d'impact central soit approximativement identique au point visé. La correction latérale peut être réalisée en déplaçant la hausse dans la queue d'aronde et en l'y fixant à l'aide d'une petite vis. Le réglage de la hauteur se réalise en remplaçant le guidon par un guidon plus ou moins élevé et en le fixant avec une petite vis.

Remplacement du dos de la poignée

Chaque pistolet est fourni avec un kit de dos de remplacement qui permettront d'adapter la forme arrière de la poignée aux besoins de l'utilisateur. Le remplacement d'un type de dos par un autre se réalise après avoir enlevé la goupille du bouchon du ressort de percussion. Lors du remplacement, il convient d'être très prudent afin d'éviter les blessures dues au fait que la goupille bloque le bouchon et que le ressort de percussion est en position comprimée. Nous vous recommandons de confier cette opération à un armurier.

Montage du viseur point rouge

Lors du montage d'une plaquette qui est à mettre en dessous du viseur point rouge, il est préconisé d'appliquer un immobiliseur des filets (par exemple Loctite 243) et serrer des vis à couple de serrage de 1,3 Nm. Après l'application de la colle, cette dernière est à laisser durcir conformément aux consignes du fabricant. Lors de l'installation du point rouge, suivre les instructions du fabricant

INSTRUCTIONS D'ENTRETIEN

Démontage pour le nettoyage

DIRIGER LE PISTOLET VERS UN LIEU SUR!

1. Enlever le chargeur. Il est impossible de démonter un pistolet avec un chargeur engagé!
2. Désengager la sûreté pour pouvoir manipuler la culasse.
3. S'ASSURER QU'IL N'Y A PAS DE CARTOUCHE DANS LA CHAMBRE!
4. Amener le chien vers l'arrière jusqu'à ce qu'il s'accroche sur l'encoche de sécurité. C'est dans cet état que le démontage est le plus facile.
5. Passer le pouce de la main gauche à travers le pontet, avec les doigts restants saisir le devant de la culasse d'en haut.
6. Déplacer légèrement la culasse vers l'arrière jusqu'à ce que la partie arrière de la culasse touche le chien basculé et jusqu'à ce que la rainure du cadre et celle de la culasse soient alignées.
7. Du côté droit, pousser (frapper) l'arrêteur de culasse, par exemple par le fond du chargeur (figure 8). Enlever l'arrêteur de culasse du côté gauche.
8. Sortir la culasse avec le canon en avant.
9. Enlever le ressort récupérateur et enfin le canon.

Ce démontage est suffisant pour l'entretien courant. Après avoir tiré un grand nombre de cartouches, démonter aussi le chargeur. Pour nettoyage du percuteur, veuillez confier le pistolet à un armurier.

Démontage du chargeur

Par l'orifice situé dans le fond du chargeur, appuyer sur l'arrêt du fond et le faire glisser d'environ 5 mm vers l'avant. Garder un pouce sur le fond pour retenir le ressort et avec l'autre main faire glisser le fond entièrement hors de la rainure. Lors de ce démontage, prendre les précautions nécessaires pour que le ressort ne "saute" pas.

Echange des organes de maniemment

Ce pistolet est conçu de telle manière qu'il permette un échange facile de la sûreté par l'organe de désarmement du chien et renversé. Cette opération peut être exécutée sans aucun outillage spécial. Il est possible de démonter la sûreté gauche ou l'organe gauche de désarmement après avoir pressé l'éjecteur vers le bas. Avant d'assembler la sûreté droite ou l'organe droite de désarmement il faut que la tige de détente soit pressée en bas.

Dans la configuration avec sûreté, seules les sûretés sont installées. Dans la configuration avec levier de désarmement, outre les commandes, il convient d'installer également le ressort de la commande et ce, de manière à ce que son extrémité la plus courte repose sur la saillie du corps de la commande et que sa seconde extrémité soit introduite dans le creux de la goupille (figure 9).

Il est recommandé de suivre une formation sur remplacement des éléments de commande sous la surveillance d'un armurier expérimenté ou de consulter les instructions se trouvant sur le site Internet de la société Česká zbrojovka.

REMARQUE:

Ne pas démonter les autres parties du pistolet. Si vous avez l'impression que l'arme a besoin d'un réglage ou d'une réparation, confiez-la à un atelier spécialisé!

Nettoyage du pistolet

Nettoyer le pistolet

- après chaque usage
- chaque fois qu'il a été mouillé
- le plus tôt possible après le tir
- au moins une fois par an dans des conditions climatiques modérées
- au moins une fois par mois dans des conditions climatiques sévères

Nettoyage du canon et de la chambre

Si aucun tir n'a eu lieu ou si seulement quelques cartouches ont été tirées, nettoyer le canon et la chambre avec un chiffon sec fixé sur la tige de nettoyage, jusqu'à ce que le dernier chiffon reste propre.

Si le canon est fortement encrassé, injecter du liquide de nettoyage dans le canon et dans la chambre et laisser agir une dizaine de minutes (cette durée peut varier selon les produits) et nettoyer l'intérieur du canon avec la brosse. Sécher l'intérieur du canon et la chambre avec un chiffon doux et contrôler que tous les dépôts ont été enlevés. Si besoin, répéter cette opération.

Toujours insérer la tige de nettoyage à partir de la chambre pour ne pas endommager la bouche du canon. Pousser la brosse sur toute la longueur du canon sans changer la direction du mouvement. Si ce mouvement est inversé à l'intérieur du canon, la brosse pourrait rester bloquée.

Nettoyage des autres parties du pistolet

Les autres parties du pistolet (y compris les surfaces extérieures de l'arme) doivent être nettoyées avec un chiffon, une vieille brosse à dents, une brosse en laiton ou un grattoir en bois. Le nettoyage peut se faire soit à l'huile de conservation, soit au pétrole. Ne jamais utiliser les produits destinés au nettoyage du canon, ceux-ci pourraient rester dans les fentes et provoquer de la corrosion.

S'assurer qu'aucun débris de chiffon ou aucun poil de brosse n'est resté entre les pièces du pistolet.

Conservation

L'intérieur du canon, la chambre et toutes les parties accessibles, après nettoyage final avec un chiffon doux, peuvent être essuyées avec un chiffon doux imprégné d'huile de conservation; éventuellement utiliser un pulvérisateur à huile. Enlever l'excédent d'huile.

Avant le tir, essuyer à sec l'intérieur du canon. Si le pistolet doit être utilisé à basse température, enlever l'huile de toutes les parties accessibles ou utiliser des lubrifiants spéciaux pour ces conditions climatiques.

N'utiliser la vaseline de conservation que pour l'entreposage de longue durée dans des conditions climatiques sévères; enlever cette vaseline avant toute utilisation du pistolet.

Traitement des déchets

Si les matériaux du produit et de l'emballage sont traités correctement, ils n'ont aucune incidence négative ni sur la santé humaine ni sur l'environnement. En cas de besoin de l'élimination du produit ou de son emballage, les parties métalliques (l'acier, les métaux non ferreux), les emballages plastiques, le papier et le carton doivent être déposés séparément dans les conteneurs qui y sont destinés.

LISTE DES PIÈCES

- | | |
|-----------------------------------|--|
| 1 a) Carcasse | 27 Bouchon du ressort de percussion |
| b) Dos interchangeable S/M/L | 28 Goupille de gâchette |
| 2 Culasse | 29 Axe du chien |
| 3 Canon | 30 Axe de détente |
| 4 Arrêtoir de culasse | 31 Axe de l'arrêtoir du chargeur |
| 5 Chargeur | 32 Goupille du bouchon |
| 6 Bloc avant | 33 Cheville de l'extracteur |
| 7 Bloc arrière | 34 Cheville de l'arrêtoir du chargeur |
| 8 Détente | 35 Cheville du bloc avant |
| 9 Tige de détente | 36 Axe |
| 10 Gâchette | 37 Cheville du perceur |
| 11 Chien | 38 Ressort de rappel (ensemble) |
| 12 Déclencheur | 39 Vis de blocage (2x) |
| 13 Levier de blocage | 40 Ressort de l'extracteur |
| 14 Disjoncteur de la tige | 41 Ressort du perceur |
| 15 Ejecteur | 42 Ressort de la butée du blocage de perceur |
| 16 Percuteur | 43 Ressort (2 pièces) |
| 17 Extracteur | 44 Cheville du ressort d'arrêtoir de culasse |
| 18 Butée du blocage de perceur | 45 Ressort de percussion |
| 19 Arrêtoir du chargeur | 46 Ressort de détente |
| 20 Sûreté gauche * | 47 Ressort d'arrêtoir de culasse |
| 21 Sûreté droite * | 48 Ressort d'organe de désarmement * |
| 22 Organe de désarmement gauche * | 49 Ressort de la tige |
| 23 Organe de désarmement droit * | 50 Ressort de la gâchette |
| 24 Hausse * | 51 Cheville du bloc arrière |
| 25 Guidon | |
| 26 Tige du ressort de percussion | |

* Les pièces marquées avec l'étoile sont différentes pour les versions particulières, éventuellement ils manquent aux quelques modèles.

ADAPTATEUR CZ P-09 DE CALIBRE .22 LR

L'adaptateur pour pistolet CZ P-09 de calibre .22 LR peut être fourni dans les variantes suivantes :

1. Adaptateur seul, pouvant être installé sur le cadre de n'importe quel pistolet CZ P-09
2. Pistolet CZ P-09 complet, de calibre .22 LR

Les principaux avantages de l'adaptateur sont :

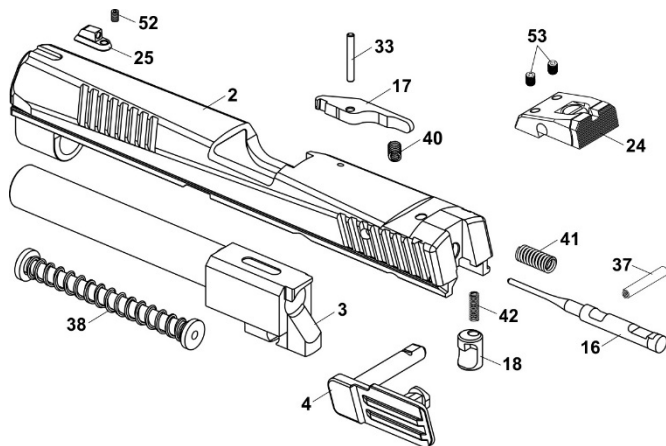
- conservation des propriétés typiques du pistolet CZ P-09
- le tir est économique, ce qui sera principalement apprécié lors de l'entraînement
- l'adaptateur se monte facilement sur le cadre, aucun ajustement ne sera nécessaire

Installation de l'adaptateur de calibre .22 LR

Pour pouvoir installer un adaptateur de calibre .22 LR sur les modèles de pistolets existants, aucune adaptation ni aucun ajustement ne seront nécessaires. En suivant les consignes mentionnées au chapitre *Démontage pour le nettoyage*, retirer l'ensemble de la culasse existant et installer ensuite l'adaptateur de calibre .22 LR sur le cadre du pistolet. Lorsque vous utilisez cet adaptateur, il sera toujours nécessaire d'utiliser également un arrêtoire de la culasse identifié « 22 LR » et un chargeur de calibre .22 LR.

MODE D'EMPLOI

Représentation et nomenclature des composants de l'adaptateur de calibre .22 LR



- | | |
|-------------------------------------|---|
| 2 Culasse | 37 Goupille du percuteur |
| 3 Canon | 38 Ressort de rappel
(ensemble) |
| 4 Arrêtoir de culasse | 40 Ressort de l'extracteur |
| 16 Percuteur | 41 Ressort du percuteur |
| 17 Extracteur | 42 Ressort de la butée du
blocage de percuteur |
| 18 Butée du blocage de
percuteur | 52 Vis du guidon |
| 24 Hausse | 53 Vis de blocage |
| 25 Guidon | |
| 33 Goujon de l'extracteur | |

DÉRANGEMENTS

En cas d'entretien régulier et d'utilisation normale, la probabilité de panne est minimale. Si toutefois une telle situation apparaissait, veuillez appliquer les instructions suivantes.

ATTENTION! En cas de problèmes en cours de tir, la probabilité d'un tir inattendu augmente fortement. C'est pourquoi les consignes de sécurité doivent rester d'application stricte. Toujours garder l'arme dirigée vers un lieu sûr, ne jamais la diriger vers les personnes présentes, ne jamais placer la main devant la bouche du canon!

Si vous employez votre pistolet pour la protection personnelle ou des raisons de service on recommande de procurer les "cartouches de formation" et apprendre le dépannage rapide des pannes décrites ci-après.

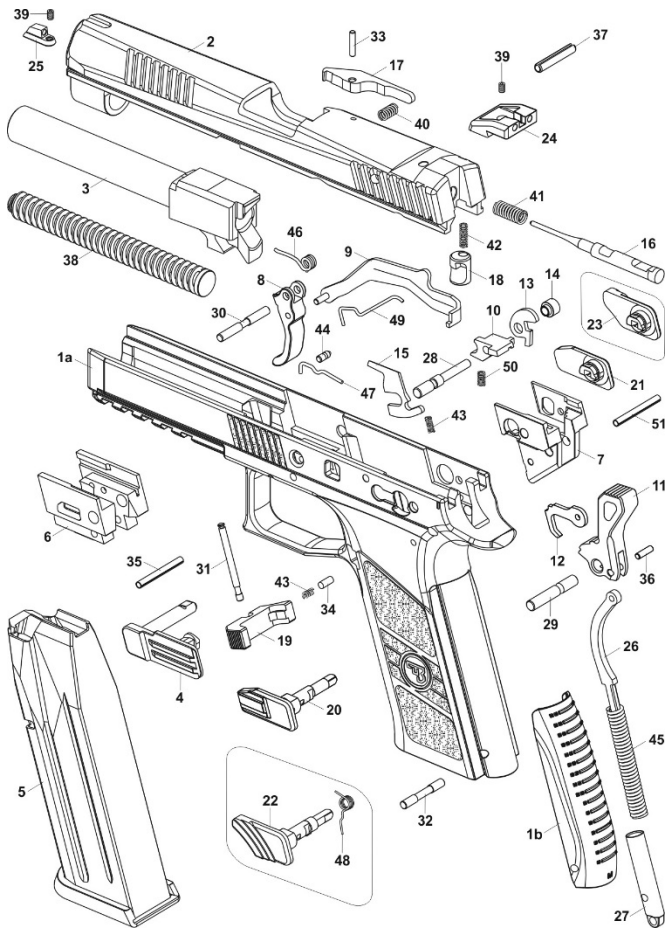
Problème	Cause probable	Elimination du problème
La cartouche ne monte pas dans la chambre ou la culasse ne se ferme pas	Le chargeur n'est pas suffisamment enfoncé dans son logement ou est endommagé. L'arme ou les munitions sont fortement encrassées ou trop graissées.	Engager le chargeur à fond ou utiliser un autre chargeur. Nettoyer l'arme et les munitions à sec, si besoin légèrement graisser.
Percussion ratée	La cartouche utilisée est défectueuse. L'orifice pour le percuteur est bouché par des impuretés ou par de la graisse à basse température.	Appuyer de nouveau sur la détente. Si même résultat, appliquer le point 19 des consignes de sécurité. Démonter et nettoyer le percuteur, si besoin utiliser un lubrifiant pour basses températures.
"Coup" faible et non-éjection de la cartouche	L'amorce a été percutée, mais la douille ne contient pas de poudre.	Décharger l'arme et s'assurer que la balle n'est pas restée dans le canon. L'autre projectile éventuel pourrait gravement endommager le canon!
Pas d'éjection	Chambre, cartouche ou éjecteur fortement encrassé, éventuellement bloqué par de la graisse à basse température.	Nettoyer l'arme à sec, si besoin graisser légèrement. N'utiliser que des munitions neuves, propres.

Si aucun procédé ci-dessus ne permet d'éliminer le problème, veuillez confier votre arme à un atelier spécialisé.

LISTE DES FIGURES

1. Dénomination des principaux éléments
2. Extraction du chargeur
3. Chargement du pistolet
4. Déverrouillage de la culasse de position ouverte en actionnant l'arrêtoir de culasse avec la main de tir
5. Engagement de la sûreté
6. Désarmement du chien sur le modèle avec sûreté
7. Désarmement du chien sur le modèle sans sûreté
8. Retrait de l'arrêtoir de culasse en utilisant le fond du chargeur
9. Organes de désarmement du chien installés

Le fabricant se réserve le droit de réaliser des modifications nécessaires à l'amélioration de son produit ou répondant à des exigences de caractère technique ou commercial.



1

CZ P-09



2



3



4



5



6



7



8



9

